

# HF ATEX Z22



X

E

T

A

## TECHNICAL DATA

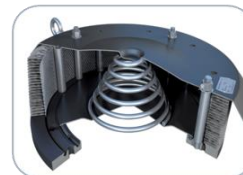
MODEL	Units	HF10	HF15	HF18	HF30P	HF30S
Power	kW   HP	7,5 - 10	11 - 15	15 - 20	18,5 - 25	18,5 - 25
Voltage   Frequency	V   Hz	400   50/60	400   50/60	400   50/60	400   50/60	400   50/60
Air flow	m³/h	750	1120	1120	1940	1180
Max Vacuum	mBar	310	390	420	240	170
Vacuum in continuous run	mBar	270	300	350	550	380
Noise level	dB (a)	74	74	74	78	78
<b>SP filter cleaning</b>						
Type		Cartridge	Cartridge	Cartridge	Cartridge	Cartridge
Surface		120.000	120.000	120.000	120.000	120.000
Class		IFA/BGIA M-PES EXAM ACCREDITED				
Media		Antistatic polyester				
Absolute filter - Optional		H14	H14	H14	H14	H14
Surface	cm²	110.000	110.000	110.000	110.000	110.000



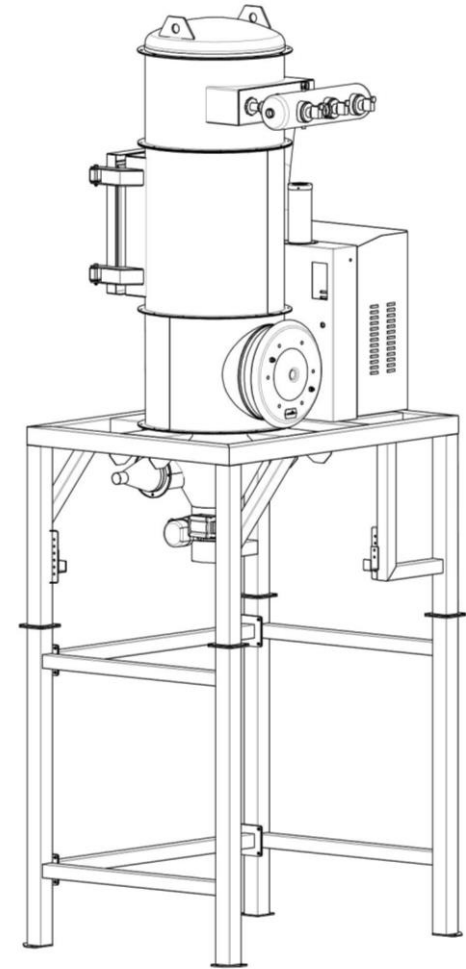
Vent panel  
ON DEMAND



Safety valve  
ON DEMAND



Non-return valve  
ON DEMAND



# HF ATEX Z22

## DISCHARGE SYSTEMS / LEVEL DETECTOR (Optional)



DOUBLE ELECTRO PNEUMATIC DISCHARGING BUTTERFLY VALVE



DOUBLE ELECTRO PNEUMATIC SLIDING VALVE



ROTARY VALVE FOR CONTINUOUS DISCHARGE



ROTARY LEVEL DETECTOR



PLC



INVERTER



X

E

T

A