

WELDING FUME EXTRACTORS

XM TORCH 1M

INDUSTRIAL VACUUM CLEANER FOR WELDING TORCHES



Watch the video!



POWER
1,3 kW - 1,8 HP



APPLICATION
Welding fumes



CAPACITY
20 Lt

FEATURES

- Compact and easy to handle
- Multi-stage filtration for maximum operator safety
- Sturdy painted steel construction
- Possibility of remote control directly from the welding machine

HIGHLIGHTS



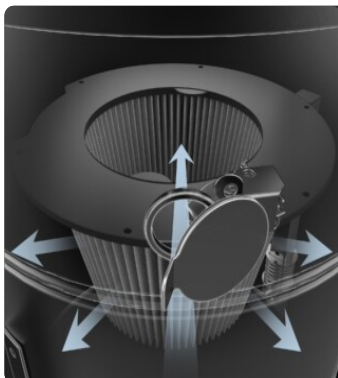
SUCTION UNIT

Suction is provided by 1/2 by-pass motors controlled by independent switches, allowing the operator to control suction performance. The motors are located inside a robust enclosure, with an insulating sponge to maintain a low noise level.



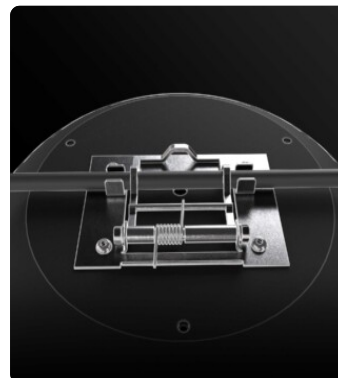
FILTER UNIT

Filtration is ensured by a Class M polyester cartridge filter (filtration efficiency 1 micron) with a high filtering surface area, which guarantees air passage even with a dirty filter.



JET CLEAN FILTER CLEANING SYSTEM

Equipped with JetClean® filter cleaning system. Due to the different pressure between the outside and inside of the vacuum cleaner, the system generates a flow of air through the cartridge that detaches dust from the surface of the filter, keeping the filter efficient while working and without stopping suction.



REMOTE CONTROL

Passing the electric cable of the welding machine through the clip, the vacuum unit automatically begins suction when the operator starts welding and ends a few seconds after the welding machine is turned off.

TECHNICAL DATA

MOTOR

Typologies	By-pass
Power	1,3 kW - 1,8 HP
Frequency	50/60 Hz
Voltage	230 V
Vacuum in continuous run	250 mBar
Maximum air flow	190 m3/h
Noise level	72 dB(A)
Remote control	Grounding cable

MACHINE

Suction inlet	50 Ø mm
Collection system	Steel container
Capacity	20 Lt
Dimensions	534 x 471 mm
Height	983 mm
Weight	36 Kg

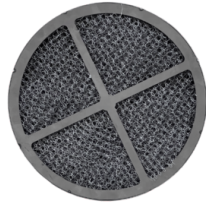
FILTRATION

Primary filter type	Cartridge
Filter surface	16000 cm2
EN 60335-2-69 filtration class	M
Media	PTFE coated polyester
Filter Cleaning System	Jet Clean
JetClean Guillotine	Included

FEATURES



AIR FLOW REGULATOR



ANTI-SPARK FILTER
Protective filter that prevents the passage of sparks



SHUKO TYPE PLUG



POWER SUPPLY CABLE



WHEEL WITH BRAKE
Non-marking wheel with integrated brake



WHEELS
Non-marking pivoting wheels



STEEL CONSTRUCTION
Rugged industrial coated steel construction



FILTER CLOGGING INDICATOR
Filter clogged or need to be replaced indicator light

OPTIONS

AVAILABLE FILTER MEDIA



HEPA 13
Absolute filter (EN 1822)
35.000 cm² filter surface
H13 Class Filter (EN 1822)
Glass fiber



HEPA 14
Absolute filter (EN 1822)
22.000 cm² filter surface
H14 Class Filter (EN 1822)
Glass fiber

STRUCTURE AND OPTIONS

60  **HZ**

60HZ

Available in 60Hz version



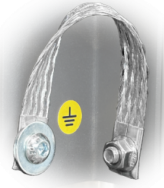
3 YEARS WARRANTY

Purchasing the replacement filter along with the vacuum



BX

Stainless steel bin AISI 304



GRD

Grounding

ACCESSORIES



P13638

STARTER KIT Ø 40MM

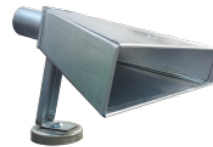
Basic kit containing specific accessories for 40 mm diameter solids and liquids vacuuming



P12301

REDUCTION RUBBER SLEEVE FOR "PUR" HOSE Ø 50/40

Antistatic carbon-filled rubber sleeve for 50/40 mm diameter polyurethane spiral hose



P12000

SUCTION HOOD (400X50MM)

Galvanised steel suction hood for welding fumes or suspended dusts. Connection for 50mm diameter pipe with bracket and magnet for positionin ...