

INSTRUCTION AND MAINTENANCE MANUAL

DV AIR 800 - WB



Translation from Original Instructions

TABLE OF CONTENTS:

1	INFORMATIVE SECTION	7
1.1	Foreward	7
1.2	Main parts.....	10
1.3	Optional Parts.....	11
1.4	Manufacturer’s identification data	11
1.5	Identification Plate	11
1.6	Permitted Uses	12
1.7	Authorised environmental conditions.....	12
1.8	Noise levels.....	13
1.9	Technical Data	14
1.10	Warranty.....	15
2	SAFETY SECTION.....	17
2.1	Safety informations	17
2.2	Safety recommendations	18
2.3	Safety plates and symbols	20
2.4	Residual risks	22
2.5	Applied directives	23
3	HANDLING, UNPACKING AND INSTALLATION SECTION	29
3.1	Handling.....	29
3.2	Unpacking.....	30
3.3	Installation	32
4	OPERATION SECTION.....	35
4.1	Description of the controls.....	35
4.2	Operation cycle.....	36
4.3	Storage – Decommissioning	38

5	MAINTENANCE SECTION.....	39
5.1	Informative notes	39
5.2	General safety regulations	40
5.3	Replacing the filter	42
5.4	Troubleshooting	45
5.5	Scrapping	47
	INTERVENTION 1: DATE:.....	48
	INTERVENTION 2: DATE:.....	49
	INTERVENTION 3: DATE:.....	50

DECLARATION OF COMPLIANCE

The manufacturer:

DEPURECO INDUSTRIAL VACUUMS S.r.l. – Via Venezia, 32 – 10088 Volpiano (TO) – ITALY |
Phone. +39 011 98 59 117 – **Fax** + 39 011 98 59 326 – **Tax code.** | **VAT REG. NO.** 02258610357
e-mail: depureco@depureco.com – www.depureco.com

hereby declares

under their sole responsibility that the vacuum cleaner model described in this manual



To which this declaration refers, complies with the essential safety requirements provided by the **Machinery Directive 2006/42/EC**, the **Directive 2014/30/EU** regarding Electromagnetic Compatibility, the **Directive 2011/65/EU - ROHS** - regarding restriction of the use of certain hazardous substances in electrical and electronic appliances and by the **ATEX Directive 2014/34/EU** with the following details.

The conformity has been verified in accordance with the requirements mentioned by the Standards:

UNI EN 1127-1

UNI EN ISO 80079-36

Marking:   **II 3 D Ex htc IIIB T140°C Dc**

The Harmonised Standards applied for the design, manufacture and testing of the vacuum cleaner are listed in a technical file stored at the technical department of DEPURECO S.r.l. premises.

This declaration shall become invalid if modifications on the vacuum cleaner are carried out without approval from the manufacturer.

First issue: 15 June 2019

Revision 01: 16 October 2023.



The Legal Representative
Marco Devincentis CEO



1 INFORMATIVE SECTION

1.1 FOREWARD

Dear Customer

Thank you for having chosen DEPURECO; we hope you will enjoy using your new DEPURECO HF series vacuum cleaner. This manual has been drafted in order for our customer to fully appreciate the quality of this machine. Please read all sections before using the machine for the first time.

It includes information, recommendations and important warnings concerning the use of the vacuum, which will help fully exploit the technical properties of your machine.



Manuals for the ATEX components mounted on the equipment are provided in the appendix: the user must observe all safety instructions regarding the use of these components. The plug is of the ATEX type.

It is recommended to read carefully the messages, warnings and directions, preceded by the symbols:



For people's safety;



For the integrity of the vacuum cleaner;



For the preservation of the environment.



This manual describes the following models:

DV AIR 800

DV AIR 800

Z22

DV AIR WB

DV AIR WB

Z22

The vacuum cleaner is equipped with the following filters:

FILTER CARTRIDGE (P12478)

The filter configuration could vary depending on the versions and/or specific requests of the client

The vacuums are classified according to the following dust classes:

L

Low risk – suitable to separate dust with an exposure limit value of $> 1 \text{ mg/m}^3$ on the basis of the occupied volume

M

Medium risk - suitable to separate dust with an exposure limit value of $> 0,1 \text{ mg/m}^3$ on the basis of the occupied volume

H

High risk – suitable to separate all dusts with all exposure limit values on the basis of the occupied volume, including cancer genic and pathogenic dusts.



This manual provides all the necessary information for the use and maintenance of the vacuum cleaner.

This specific model has undergone strict testing to ensure maximum reliability. Its operation and durability will depend on proper use and maintenance.

This manual is an integral part of the vacuum cleaner and must accompany it at all times, until its demolition.

In the event it is lost or damaged, you can request another copy from DEPURECO INDUSTRIAL VACUUMS S.r.l. (henceforth shortened to DEPURECO).

The technical information contained in this manual is exclusive property of DEPURECO and must be considered confidential.

Reproduction, even partial, of graphics, text and illustrations is prohibited by law.

Some details shown in the figures in this manual may differ from those on your vacuum; this is because some components may have been removed to ensure maximum illustration clarity.

This manual has been divided into sections for easy consultation and each section has been identified by a specific graphical symbol.

The topics covered in this manual are those expressly required by Machinery Directive 2006/42/EC and the technical data are taken from the technical file archived at DEPURECO.

With reference to Regulation 1907/2006/EC (REACH), DEPURECO hereby declares that no Substances of *Very High Concern* - (SVHC) included in the Candidate List, are contained in its products.

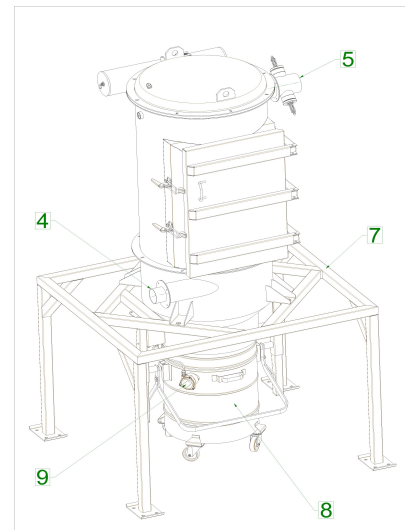
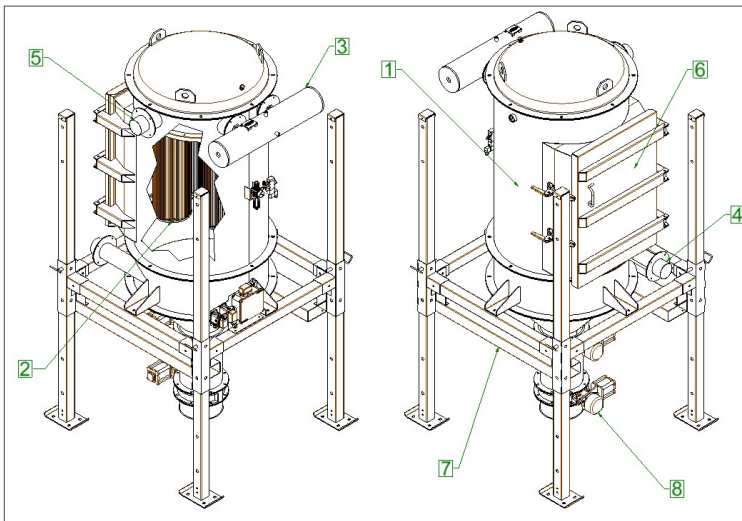
This manual should be kept in a place accessible to all personnel in charge with operating and performing maintenance on the vacuum cleaner.

In the event of any dispute arising, the Court of Turin (Italy) shall have jurisdiction



The manual must accompany the vacuum cleaner in case of resale!

1.2 MAIN PARTS



1. Filtering chamber
2. M-class filter cartridges
3. Compressed air tank
4. Tangential suction inlet
5. Filtered air outlet
6. Maintenance door
7. Sliding frame with adjustable height (fixed frame in case of dumping with the bin)
8. Continuous discharge system (double exhaust butterfly / rotary valve / bin)
9. Bin level probe



1.3 OPTIONAL PARTS

A wide range of optional accessories is available from DEPURECO depending on the intended use of the vacuum.

1.4 MANUFACTURER'S IDENTIFICATION DATA

DEPURECO INDUSTRIAL VACUUMS S.r.l.

Via Venezia, 32 - 10088 Volpiano (TO) - ITALIA

tel. +39 011 98 59 117

fax +39 011 98 59 326

e-mail: depureco@depureco.com

website: www.depureco.com

P.I. 02258610357

1.5 IDENTIFICATION PLATE

The data on the vacuum identification plate must be referred to in any correspondence with the manufacturer or the dealer.

		Via Venezia, 32, 10088, Volpiano Tel. 011 98 59 117 Fax. 011 98 59 326 www.depureco.com		MADE IN ITALY	
Model		Serial No.		 	
Dust class	IP	Kg	Year		

ATEX Marking

II 3 D Ex htc IIIB T140°C Dc



1.6 PERMITTED USES

These vacuum cleaners are designed and built according to the 2006/42/CE (Machine Directive) for an exclusive professional industrial use; either way, for any non-domestic use,

This vacuum cleaner is suitable for the cleaning and the collection of solid materials, only in covered areas.

The vacuum cleaner was conceived to be used by only one operator.

In accordance with the Directive 1999/92/EC, whenever in the presence of combustible dust and/or flammable gas, it's the responsibility of the employer to carry out the classification of the Zone and to choose a device in the appropriate category (According to the definition given in the 2014/34/EU Directive.

Any other use is considered **IMPROPER**.

1.7 AUTHORISED ENVIRONMENTAL CONDITIONS

To ensure the correct operation, the vacuum cleaner must be kept away from atmospheric agents (rain, hail, snow, fog, dust in suspension, etc.) in an area with a room temperature range between 0° and 40°C and a relative humidity no higher than 70%.

The work environment must be clean and suitably lit.



1.8 NOISE LEVELS

The phonometric tests performed on this specific vacuum cleaner model demonstrate a sound pressure level of

DV AIR 800 – DV AIR WB

74 dB(A)



WARNING!

Workers exposed to sound pressure levels higher than 85 dB(A) must be protected by suitable personal protection device (PPE) such as certified ear muffs.



Under these conditions, workers must be provided with adequate training and information on risks arising from exposure to noise.



1.9 TECHNICAL DATA

Features	Units	DV AIR 800 / DV AIR WB
Dimensions when open	mm	2175x1185x1195
Dimensions when closed	mm	3500x1185x1195
Suction inlet diameter	mm	123
Maximum depression	<u>mBar</u>	310
Depression in continuous	mBar	270
Maximum air flow	m ³ /h	420
M filter surface area	m ²	34
Cartridges*	[N° mm]	4 240x700
Noise level	dB (A)	74
Outlet diameter	mm	250
S.P. system valve	N°	2x1"
Air tank volume	Lt	16

(*) Cartridges suitable for fine and granular powders



1.10 WARRANTY

DEPURECO guarantees this model of vacuum cleaner for a period of 24 months from the date of purchase, indicated on the receipt at the time of delivery of the product.

The guarantee is null and void in the event that the vacuum is repaired by unauthorised third parties or by using equipment, accessories or components not supplied or not authorised by DEPURECO, or if the serial number is removed (during the guarantee period).

For the duration of the guarantee, DEPURECO undertakes to repair or replace free of charge parts and components which prove to have manufacturing defects.

Repairs will be exclusively executed at a DEPURECO site or in a DEPURECO approved Assistance Centre and the machine must be sent free of charge (freight cost at user's charge unless otherwise agreed).

The guarantee does not cover cleaning of working parts.

The purchase invoice must be shown to the authorised technical personnel carrying out the repair and must accompany the vacuum during its shipment.

Defects that are not evidently due to materials or manufacturing will be examined solely at our premises or at a Technical Service Centre of our choosing.

Should the complaint be unjustified, all repair and/or replacement expenses shall be charged to the purchaser.

In any case, the following items are not covered by the guarantee: accidental damage due to transport, negligence, abnormal use, improper use, non-compliance with the instructions contained in this booklet or arising from phenomena that do not depend on normal use/operation of the vacuum.

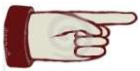
DEPURECO shall not be held liable for any injuries to persons or damage to objects caused by misuse or improper use of the vacuum.

In the event of any dispute arising, the Court of Turin (Italy) shall have jurisdiction.



In the event of doubts, avoid interpreting the information!

Call your reseller immediately!



To use the warranty, visit www.depureco.com or photocopy the form available on the last page of this manual, fill it in all its parts (in capital letters would be recommended), and send it via fax to Depureco at the number + 39 011 98 59 117



2 SAFETY SECTION

2.1 SAFETY INFORMATIONS



As per Italian Legislative Decree 81/08 and subsequent modifications, the Safety Manager must train and inform workers about the risks involved with using the vacuum cleaner so that they may be able to avoid injury to themselves and others.

The use of device by people (including children) with limited physical and mental capacities or lacking in experience and knowledge is strictly forbidden, unless they are supervised by a person who is experienced in the use and safe handling of the device.

Children must be supervised to make sure they will not play with the device.

Failure to comply norms, laws or basic safety precautions, may cause accidents during operation, maintenance and repair of the vacuum cleaner. Accidents can frequently be avoided by recognising potentially hazardous situations before they occur. Adequate training is crucial to this end.

DEPURECO shall not be held liable for accidents or damage due to the improper use of the vacuum by untrained personnel or to failure to comply, even partially, with the occupational safety standards and intervention procedures contained in this manual.

Safety warnings and precautions are indicated in this manual as well as on the product itself.

Operators must pay special attention to these hazard warnings to prevent accidents with serious consequences for themselves and other people.



WARNING!

These messages, if not observed, could cause harm to the operator.



WARNING!

These messages, if not observed, could cause harm to the operator.

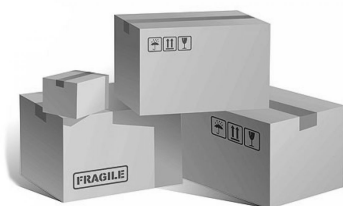
WARNING!



These messages, if not observed, could cause harm to the operator.



DEPURECO designs and manufactures its equipment and accessories with care, identifying and compensating possible risks related to their use. In the event of equipment, procedures, work methods or techniques not expressly provided for by DEPURECO being used, it is crucial to ensure beforehand that there are no dangers for oneself and the others. Nevertheless, DEPURECO shall not be held liable.



Use exclusively Depureco original spare parts.

Depureco disclaims any liability in case spare parts other than original have been used.

2.2 SAFETY RECOMMENDATIONS



WARNING!

The following information is essential in view of preventing all hazards that may occur while the vacuum cleaner is running. However, they cannot replace the expertise and common sense of operators as an overall framework for the prevention of accidents.

Structural damage, alterations or improper repairs can modify the protective capacity of the vacuum, thereby nullifying this certification and releasing DEPURECO from any liability.

Each section lists further safety measures specific to the various functions.



CAUTION!

- - The use of this vacuum cleaner is allowed for adult, properly trained persons.
- - This vacuum cleaner is suitable for industrial use, for example: factories, warehouses, workshops.
- - Make the electrical connection to an efficiently grounded network.
- - This vacuum cleaner is not intended for use in corrosive or explosive environments.
- - Keep the vacuum cleaner clean of foreign materials such as debris, oil, tools and other objects that could damage operation and cause personal injury.
- - Avoid using flammable or toxic solvents such as gasoline, benzene, ether and alcohol for cleaning.
- - Avoid prolonged contact with solvents and inhalation of their vapors.
- - Avoid use near open flames or heat sources; ensure adequate ventilation.
- - Never use the vacuum cleaner without the mist filter.
- - Do not vacuum lit cigarette butts: you may ignite the safety filter.
- - Do not vacuum gasoline or generally flammable liquids.
- - Make sure that all guards and protections are in place and that all safety devices are present and efficient.
- Do not use the vacuum cleaner on uneven or sloping surfaces
- Do not wear loose or dangling garments such as ties, scarves, torn clothing that may snag or be caught by the vacuum cleaner.
- Do not move the vacuum cleaner by pulling it by the power cord
- Extension lines, plug-in connection devices and adapters are not allowed.
- Do not remove the hopper cover when the vacuum cleaner is in operation
- It is forbidden to climb on the vacuum cleaner.
- Do not touch electrical wires, switches, buttons, etc. with wet hands.
- Check the integrity of the power cord periodically.
- When using the industrial vacuum cleaner, some components (motor terminal board, motor body in particular) may reach high temperatures.



-
- During the operations to restore the original working conditions, the personnel in charge must verify that at the end of the operating procedure, the normal safe operating conditions of the vacuum cleaner and in particular the safety devices and protective guards involved in the operation are again guaranteed.
 - In the event that the Customer installs on the vacuum cleaner a tool not supplied by DEPURECO, it is necessary to verify that the safety conditions, required by the Machinery Directive 2006/42/CE, are maintained and in any case DEPURECO does not assume responsibility for any inconvenience resulting from the use of this part.
 - Structural damage, modifications, alterations, or improper repair may change the protective capabilities of the vacuum cleaner thus nullifying this certification and excluding any liability on the part of DEPURECO.
 - This manual should always be at hand for reference on the intended operating cycle and whenever in doubt.
 - If it is lost or damaged, a replacement copy should be requested from DEPURECO.



WARNING!

This vacuum cleaner could contain dust that may be hazardous to your health.

The emptying out and maintenance procedures, including removing the dust containers, must be carried out exclusively by specialized personnel wearing suitable safety clothing.

Never switch the machine on in the absence of a complete filtering system.

2.3 SAFETY PLATES AND SYMBOLS

Plates with safety symbols and/or messages are applied to the vacuum and its packaging.

These pages show their precise location and the nature of the hazard.



Warning!

Ensure that all safety messages are perfectly legible.

Clean them using a cloth with water and soap. Do not use solvents, naphtha or petrol.

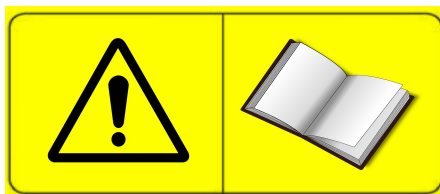
Request replacements for damaged plates from DEPURECO.

If a plate is located on a component that is being replaced, make sure to fit the old plate to the new component.



Warning!

Read carefully this use and maintenance manual before using the vacuum cleaner or carrying out maintenance operations on it



Read carefully the instructions on the packaging before handling the vacuum cleaner



2.4 RESIDUAL RISKS

DEPURECO recommends complying with the instructions, procedures and recommendations in this manual and with the safety standards in force. DEPURECO also recommends using suitable personal protective equipment as well as the protection devices integrated in the vacuum.

The residual risks analysed on the vacuum and/or its components could be:

Electrical risks during maintenance due to the requirement to work on live parts

Pursuant to Italian Legislative Decree 81/08 – articles 80 to 87 – it is prohibited to operate on live parts, notwithstanding the exceptions set forth by said Legislative Decree.

Risks associated with incorrect use in presence of explosive and inflammable liquid substances

The vacuum must not be used in environments containing liquid substances or liquids that can evaporate at room temperature, inflammable powders and gas.

Risks related to operation in humid environments

Respect the limitations indicated in this manual, in section 1.5 “Authorised environmental conditions”.

Risk of incorrect interpretation of the safety pictograms

With reference to risk analysis and identification, DEPURECO has installed hazard labels on the vacuum, in compliance with the standards concerning graphical symbols.

The user must immediately replace any safety plate rendered illegible due to wear or damage.



Warning!

The removal of safety plates from the vacuum and/or its components and packaging is strictly prohibited.

DEPURECO shall not be held liable for the vacuum's safety in the event of failure to comply with this prohibition.



2.5 APPLIED DIRECTIVES

The following directives apply to the vacuum cleaner described in this manual:

- **2006/42/EC Machinery Directive**
- **2014/30/EU Electromagnetic compatibility directive**
- **2011/65/EU - ROHS - Directive on the restriction of the use of certain hazardous substances in electrical and electronic equipment**
- **2014/35/UE – Low tension directive**

The reference standards, including their binding requirements, are managed within the DEPURECO Quality Management System and archived by DEPURECO.

ATEX SAFETY INSTRUCTIONS



Hexagon Ex - ATEX Directive 2014/34/EU

In this manual, the Ex hexagon is placed alongside the main safety instructions on explosion risk.



All personnel involved in installation, operation and maintenance of the equipment and its components should receive technical training corresponding to the tasks to be performed, particularly for working in areas with a potentially explosive atmosphere.

Any changes made to this equipment may invalidate its safety requirements. Always follow the manufacturer's instructions.



ZONE 22: An area where during normal activities an explosive atmosphere in the form of a combustible dust cloud is not likely to form and, if it does occur, is only of short duration.

It is prohibited to use the equipment where areas classified for the presence of gas as ZONE 0, 1 or 2 are present.



The equipment is suitable for operating only with dust free of ignition sources.



Combustible dusts with the following characteristics can be handled:

Auto - flammability in cloud MIT	°C	> 215
Auto - flammability in LIT layer	°C	> 215
Minimum Initiation Energy (MIE) at all operating temperatures	mJ	≥ 3

Extraction of chemically unstable dust is prohibited

It is the responsibility of the user to ensure that the equipment is used in a manner consistent with its intended use, particularly that it is used in ZONES classified as compatible with those for which the equipment is declared suitable by the manufacturer.



The equipment is designed to work at standard environmental conditions:

- Temperature $-15^{\circ}\text{C} \leq T_{\text{amb}} \leq +40^{\circ}\text{C}$.
- Atmospheric pressure +0.8/1.1 bar

The treated product shall have temperature not exceeding 40°C .

Any electrical or mechanical components to be installed on the equipment must be certified of a category suitable for use:

- category 3D (ZONE 22)



For maintenance or cleaning operations, the user must ensure that the equipment used (vacuum cleaners, portable lamps, etc.) is of a category suitable for the environment:

- category 3D (ZONE 22)



INSTALLATION - START-UP

Prior to installation and start-up provide visual check for possible transport damage.

The instruments used for installation must comply with EN 1127-1 in relation to the area of use.

As a preliminary operation carry out grounding and verification of its proper operation. Grounding is provided with visual indication by symbol in European Standard.



In Start-up phases carry out the following checks:

- verify the correct grounding of the equipment and the condition of equipotentiality between the various parts of the equipment, especially the moving parts;
- carry out blank test with acoustic verification (abnormal noise): in case of problems stop the equipment and check the assembly of the moving parts;
- electrical wiring must be carried out by qualified personnel and according to the instructions in the wiring diagram.

During testing and handover of the equipment, adequate training of the operator performing installation, start-up and normal operation of the equipment must be done.



The user must ensure that the plant within which the equipment will be installed has been adequately secured, from an explosion risk point of view, before it is started up, and also that the "Explosion Protection Document" has been prepared as required by the ATEX Directive 1999/92/EC (Ministerial Decree 81-2008).



THE INTRODUCTION (ASPIRATION) OF SOURCES OF INJECTION FROM OUTSIDE, including those due to self-ignition of dust or by embers combustion, **IS PROHIBITED.**



In the case of extraction of dusts that may give rise to self-ignition phenomena, the collection bin must be emptied immediately after each activity.

This precaution should also be taken in the case of aspiration of dust of different types whose mixture may give rise to exothermic reactions.



A periodic check of the equipotentiality condition, especially after maintenance operations, between the different metal parts of the equipment, especially the moving parts and the handle baskets, must be carried out.



Strictly use antistatic/dissipative components that ensure electrical continuity



Installation, assembly and disassembly operations must be carried out on machinery that is switched off and in the absence of a potentially explosive atmosphere.



The installer must check that the process specifications correspond to the equipment characteristics on the nameplate (e.g., with reference to the maximum surface temperature).

In case of material with incompatible product characteristics, use of the equipment is prohibited.



Manuals for the ATEX components mounted on the equipment are provided in the appendix: the user must observe all safety instructions regarding the use of these components.



Cleaning of equipment must be carried out by the user to prevent the formation of combustible dust layers.

Do not use compressed air for cleaning from dust layers, but appropriate vacuum systems suitable for handling potentially explosive dust (ATEX-certified vacuum cleaners).



A specially trained operator must be present at all times during the operation of the equipment and must take immediate action by stopping the equipment using the emergency button (where provided) or the emergency disconnect switch in case of malfunctions, e.g., abnormal noise (component rupture), clogging of the inlet and vent piping, rupture of the filter sleeves, suction of foreign bodies presence or ignition sources.



When installing and maintaining electrical parts (e.g., cables, cable glands and terminals) always follow the instructions in EN 60079-14.

When opening junction boxes (for inspections), check that the gaskets are correctly present when closing them again.



The plug is of the ATEX type: the user must connect the plug to an outlet located in a SAFE PLACE



Hoses, suction nozzles and filter sleeves are of the antistatic type declared by their respective manufacturers.

It is forbidden to use other types of components.



Protection against atmospheric discharge must be present in the establishment where the equipment is used.



No ignition sources should be present in the immediate vicinity of the device, for example:

- flames;
- embers;
- hot surfaces;
- sparks (e.g., caused by metal cutting);
- stray currents and cathodic protection systems;
- electrical or mechanical equipment that is not ATEX certified;
- electrostatic charges carried by operators or mobile equipment;
- radio frequency (RF) and electromagnetic waves (104Hz to $3 \cdot 10^{11}$ Hz);
- electromagnetic waves ($3 \cdot 10^{11}$ Hz to $3 \cdot 10^{15}$ Hz);
- ionizing radiation;
- ultrasound.



3 HANDLING, UNPACKING AND INSTALLATION SECTION

3.1 HANDLING



Warning!

The instructions for transporting and unpacking the vacuum correctly are shown on the packaging as well.

The following instructions also indicate the operations to be undertaken should the vacuum need to be re-packed or unpacked after subsequent transportation.



The vacuum cleaner must be lifted and handled exclusively using a forklift having suitable load bearing capacity.

When using a forklift, lift the load 200 mm off the ground and swing backwards.

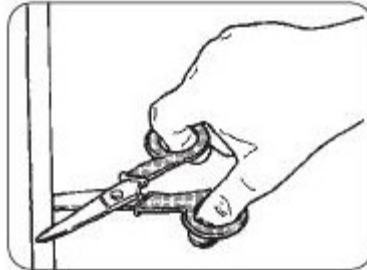
Always keep the height of the working environment in mind when lifting loads.

Before starting any movement, ensure that the area is cleared and that there are no moving objects on the packaging. For lifting and handling, apply operating safety laws and normal instructions for fork-lift truck driving.

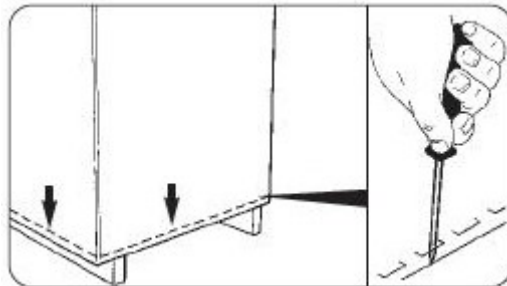


3.2 UNPACKING

- Cut and pull off the two packaging fastening tapes.



- Using a screwdriver, remove the points that secure the cardboard packaging to the pallet (where provided)



- Completely slide out the cardboard (where provided)





-
- Use an appropriate forklift to carry out the movement of the machine from its target position
 - Raise the machine 200mm above the ground
 - Place the machine in the appropriate working area
 - Place the machine on the ground, after ensuring that the working area is level, free of obstacles and pull the ropes out of the forklift forks
 - Securely fasten the support plates to the ground using appropriate dowels
 - Remove the safety pins from the housings



- Insert the forklift forks into the slots and raise the frame to the working position
- Insert the safety pins, paying attention that the safety cotter pins are engaged



- Assemble the exhaust system





Cardboard packaging is recyclable, and in order not to create environmental impacts, it is recommended that it be given to separate collection.



Warning!

Keep the pallet and fixing brackets.

For any subsequent transport, the vacuum cleaner must be anchored to the pallet by means of the same locking system.

3.3 INSTALLATION

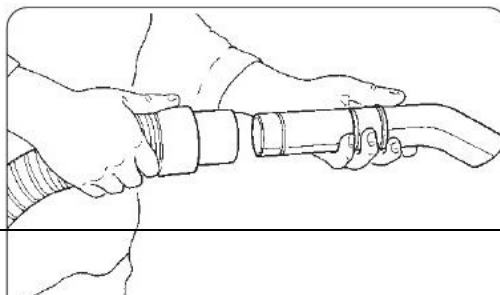


Warning.

Before installing the vacuum cleaner, it is necessary to make a careful prior visual inspection in order to detect any damage incurred during the stages of transportation.

If one or more components are found to be damaged, it is essential not to proceed further with the installation and to report the anomaly found to DEPURECO, agreeing with it on the action to be taken.

Insert from the opposite side of the hose the desired accessory for the type of suction

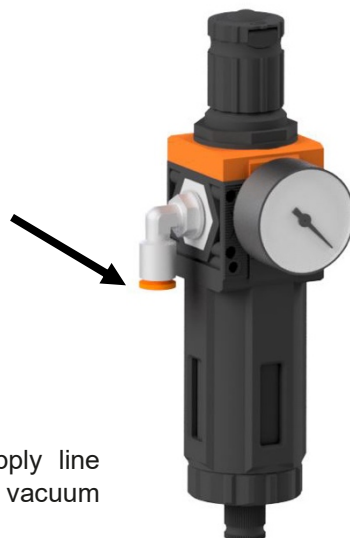




Note: The hose with its terminals and suction accessories are not included in the STANDARD equipment. Contact your dealer (or DEPURECO) for information regarding the different types of OPTIONAL accessories that can be used for this specific vacuum cleaner model.

The following operations should be performed by an electrical technician.

- Connect to the fitting shown in the figure with appropriate tubing to the pneumatic supply. The required pneumatic supply is max. 6bar. To ensure proper operation over time, the air fed into the vacuum cleaner must be de-oiled.



- Verify that the electrical supply line frequency indicated on the vacuum is efficiently grounded.

matches the voltage and cleaner nameplate and that it



DEPURCO		Via Venezia, 32, 10088, Volpiano Tel. 011 98 1171 Fax. 011 98 59 326 www.depurco.com		MADE IN ITALY
Model	Serial No.			
V		Hz		
Dust class	IP	Kg	Year	CE UK CA

- The power outlet to power the vacuum cleaner must be protected by a CE-compliant mains disconnect switch. Finally, insert the plug (not standard equipment) into the power outlet.



Warning!

Do not insert the plug into the outlet with wet hands.

The use of extension cords is not allowed.



4 OPERATION SECTION

4.1 DESCRIPTION OF THE CONTROLS

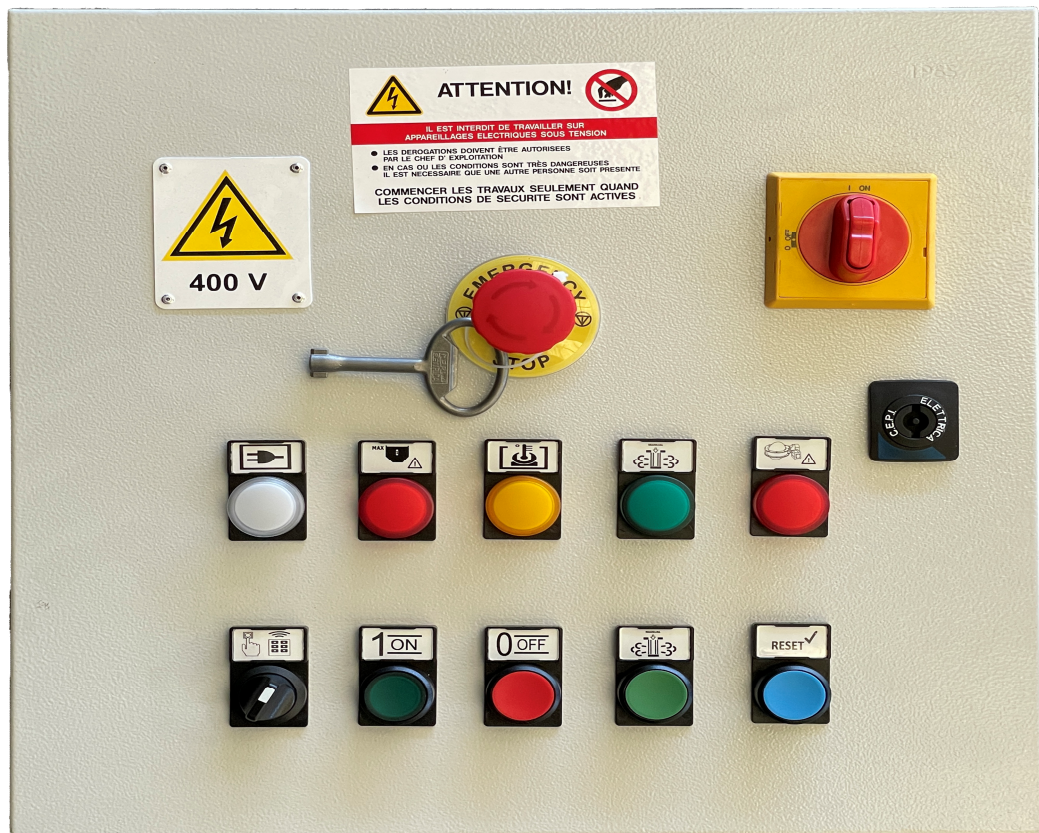
Warning!



The vacuum can be used solely by authorised personnel after having read these use and maintenance instructions.



The user of the equipment and the maintenance technician, who carry out operations on the vacuum, must be adequately educated, informed and trained, in compliance with the occupational safety standards in force and, during the various operations, must wear personal protective equipment (PPE), such as safety footwear, gloves, protective goggles, mask, etc. The user must comply with the provisions in force concerning extracted materials and their disposal.





-
1. Red mushroom button: EMERGENCY STOP
 2. White light: VOLTAGE PRESENCE
 3. Red light: PROBE LEVEL ALARM (optional)
 4. Yellow light: THERMAL INTERVENTION
 5. Green light: PNEUMATIC CLEANING SIGNAL (optional)
 6. Red light: FAILURE DISCHARGE ALARM (no with the bin)
 7. Black switch: REMOTE CONTROL SELECTOR (optional)
 8. Green button: START PROCESSING CYCLE
 9. Red button: PROCESSING CYCLE STOP
 10. Green button: MANUAL PNEUMATIC CLEANING (optional)
 11. Blue button: RESET AFTER CRASH

When the container fills up, the rotary level sensor stops the vacuum cleaner and turns on the red light (3) of full container

- Remove the Ilme releasable grip from the container
- Lift the handle that holds the container in place
- Pull the container out of its seat and empty it
- The red light (3) continues to remain lit until the

Ilme plug is connected to the container and the vacuum cleaner is not is started



4.2 OPERATION CYCLE



Warning!

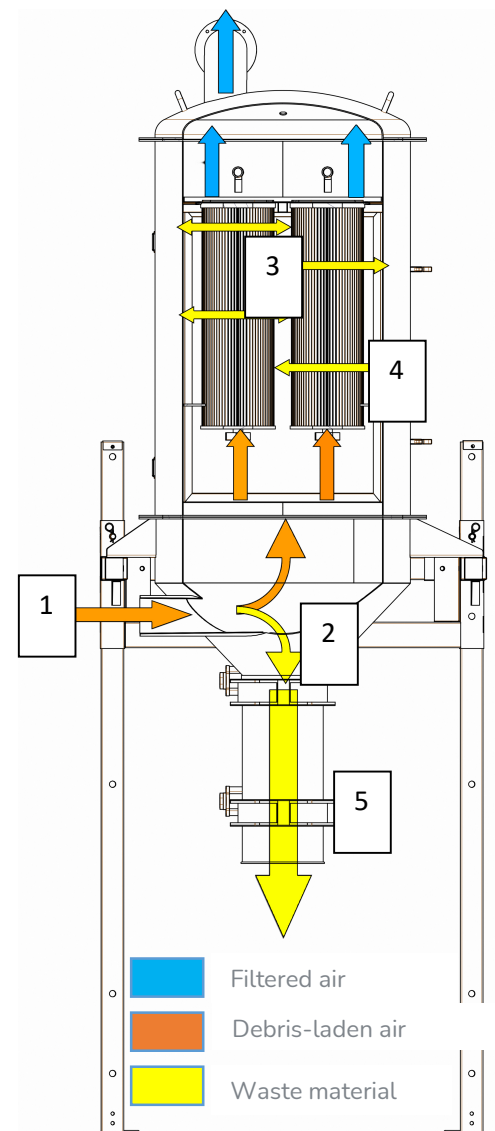
Before plugging in, make sure that the voltage of the power line matches that indicated on the nameplate data label of the vacuum cleaner.

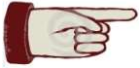
Make sure the power cord is undamaged and in perfect condition.

Make sure the power plug is properly inserted into the power outlet and make sure the white PRESENCE OF POWER indicator light is lit. If it is not lit, it means the machine's electrical panel is not powered.

Before starting the system, place a container (or bag) under the unloading area to collect the solid material sucked in and avoid its dispersion in the area where the machine operates, check that the maintenance door is closed properly.

1. Dust-laden air is drawn in through a tangential nozzle that ensures its uniform distribution within the hopper
2. Inside the filter chamber, the inhaled air abruptly reduces its velocity, assuming a spiral motion that causes the coarser particles to precipitate while the lighter particles follow the airflow reaching the filter elements.
3. The air flow is distributed over the surface of all filter elements (cartridges or bags) by passing through them from the outside to the inside. Next, the filtered, and now particle-free, air is directed to the outlet duct located on the top (lid) of the filter chamber
4. Dust and sucked-in particles settle on the outer surface of the filter elements, improving their filtering action but gradually increasing their pressure drop. Needing to contain the pressure drop, the filter elements are regularly subjected to a cleaning cycle using a strong jet of compressed air. This jet of air produces a pressure wave that removes dust and particles layered on the outer surface of the filter elements. As the material detaches from the filter elements, it falls by gravity into the hopper below
5. Discharge depends on the solution chosen at the design stage





Warning.

Never operate the machine with a clogged filter.

Vacuum cleaner with reverse air jet filter cartridge cleaning system (S.P.)

The vacuum cleaner must be connected to the compressed air supply with a maximum pressure of 6 bars to the dedicated regulating filter (see § 3.3 of the manual).

The cleaning of the cartridges will be performed automatically during the vacuuming. Depending on the models, it is possible to manually activate the cleaning system from the electrical panel. It is possible to carry out this operation even when the vacuum cleaner is not on. N.B: Voltage must still be present.



Warning!

If the vacuum cleaner does not work properly after cleaning the filter, it is possible that the filter is clogged and needs to be replaced.



Warning!

Waste disposal must be in accordance with the laws in force in the country where the vacuum cleaner is used - for Italy D.Lgs 152/2006 as amended.

4.3 STORAGE – DECOMMISSIONING

Remove the filter and clean it; empty the refuse collection container and store the vacuum in a place protected against weather agents with the temperature ranging between 5 and 45 °C and cover it with a nylon tarp to protect it against dust.



5 MAINTENANCE SECTION



Warning!

Special vacuum maintenance must be carried out solely by specialised technicians authorised by the DEPURECO dealer.

5.1 INFORMATIVE NOTES

This section describes the checks and routine maintenance operations required to ensure proper vacuum operation.

Maximum reliability and minimum maintenance costs are the result of a planned maintenance and inspection schedule carefully followed throughout the entire lifespan of the vacuum.

Observe the set maintenance intervals and schedule the interventions according to specific requirements in relation with the vacuum production cycle.

Always use perfectly working tools specifically intended for the operation to be carried out; the use of inadequate or inefficient tools can cause severe damages.

Any other intervention required to remove faults or malfunctions must be expressly authorised by the manufacturer.

In these cases, always communicate the vacuum identification data - see para. 1.4 of this manual.

For significant repairs, refer to the authorised dealer, whose specialised personnel has the technological expertise and is always available for prompt interventions.

For user maintenance operations, the vacuum must be disassembled, cleaned and maintained, where possible, in such a way as to prevent hazards to the maintenance personnel and to third parties. Suitable precautionary measures include decontamination before dismantling, measures for filtered forced ventilation of the room where the appliance is disassembled, cleaning of the maintenance area and suitable personal protection equipment.

Once every three months (or more frequently, according to the operating cycle and the conditions of use), the manufacturer or a qualified technician must check the filters, ensuring that they are not damaged; the tightness of the air system and proper operation of the control devices.



Should maintenance operations or repairs be carried out, all contaminated objects must be adequately cleaned, placed in waterproof bags and disposed of in compliance with the regulations in force.

5.2 GENERAL SAFETY REGULATIONS



Warning!

All the operations described above must be carried out with the plug disconnected from the socket.

Before starting any maintenance or cleaning operation, wear suitable PPE (protective clothing, goggles and/or gloves, etc.) according to the work to be done.



Place a sign on the vacuum with the message:

“MACHINE UNDER MAINTENANCE

DO NOT START”



Before returning to use, the whole system must be checked according starting procedures.

Run a few trial operating cycles after every maintenance operation to ensure proper machine operation.

Failure to observe these precautions can cause serious injury to personnel.

Maintenance operations must be carried out by trained technicians specialised in the following sectors:

- Mechanical maintenance
- Electrical maintenance

It is the Safety Manager's duty to ensure the professionalism and skills of these technicians.



Before starting any maintenance operation, the Safety Manager must:

- Keep unauthorised personnel out of the work area.



- ☞ Ensure that the necessary tools are in good conditions and readily available to the maintenance technician.
- ☞ Ensure the maintenance technician is equipped with the personal protection equipment required for the specific operation (gloves, goggles, shoes, mask, etc.)
- ☞ Make sure the maintenance technician has carefully read the instructions contained in this manual and has perfectly acquired knowledge on the operation of the vacuum and its components.

- Ensure that there is enough light and, if necessary, provide 24 Volt torches.

Before starting any maintenance operation, the Maintenance technician must:

cut off all power supplies and set the vacuum cleaner in safety lock condition

Warning!



If absolutely necessary operating with the power turned on, pursuant to Italian Legislative Decree 81/08, the maintenance technician must maintain a safe distance, prepare reachable emergency stop buttons and never place hands in the discharge container.

At the end of the procedure and before returning to use, the maintenance technician must check that guards are functioning correctly and the protection devices are intact.

Operations on the motors or on other electrical components must only be carried out by the specially trained electrical maintenance technician authorised by the Safety Manager.

Warning!



After any maintenance intervention, the Health and Safety Manager is required to check the safety conditions of the vacuum cleaner and of its safety devices.



Before every work shift

- Check that the power cord and the plug are not damaged: replace them immediately if there are any signs of wear, using a cord of the same type (information c/o DEPURECO). This operation is the sole responsibility of an electrician.
- Check the integrity of the safety symbols (pictograms) applied to the vacuum cleaner.
- Verify the efficiency of the filters by checking the vacuum gauge.
- Check the integrity of the hose and of the accessories to be used.



Warning!

The flexible hose, if perforated, reduces the suction power and releases dust into the surrounding environment.



Warning!

Wear appropriate PPE (dust mask, latex gloves, goggles, etc.).

5.3 REPLACING THE FILTER

Proceed as follows to replace the filter:

- Switch the machine off by turning the main switch to “0”
- Disconnect the vacuum cleaner from the electrical supply line
- Unplug the vacuum cleaner from the socket
- Unlock the inspection door's locking hooks
- Open the inspection door
- Unscrew the supporting rod's knob



- Delicately extract the knob while keeping the filter in its position



- Once out of the chamber, pull out the filter holding rods, and replace the filters.
- Replace the filter units in their appropriate locations
- Screw on the knob of the filter-holding rod
- Close the hatch
- Lock the tailgate using the locking hooks



Filter replacement control chart

Working hours	Replacement date	Cartridge code	Quantity



Warning!

Remove the filter, place it inside a plastic bag, close it and dispose of it according to current laws for the type of vacuumed material

USE ONLY ORIGINAL DEPURECO FILTERS



5.4 TROUBLESHOOTING

FAULT DETECTED	POSSIBLE CAUSE	SOLUTION RECOMMENDED
Weakened suction rate	<ul style="list-style-type: none">- Clogged filter	<ul style="list-style-type: none">- Replace the filter
Reduced filtering capacity	<ul style="list-style-type: none">- Filtering cartridges not correctly installed	<ul style="list-style-type: none">- Check the correct installation of the filtering cartridges
Dust comes out of the vacuum cleaner	<ul style="list-style-type: none">- Inspection door incorrectly closed	<ul style="list-style-type: none">- Check the inspection door
	<ul style="list-style-type: none">- Pierced filter	<ul style="list-style-type: none">- Replace the filter
	<ul style="list-style-type: none">- Filter not suitable for the vacuumed material	<ul style="list-style-type: none">- Contact DEPURECO's technical assistance



FAULT DETECTED	POSSIBLE CAUSE	SOLUTION RECOMMENDED
The vacuum cleaner does not start	<ul style="list-style-type: none">- Power failure- Circuit breaker tripped	<ul style="list-style-type: none">- Verify the presence of voltage in the power outlet- Check the integrity of the plug and power cord- Reset the circuit breaker- Contact DEPURECO technical assistance
Irregular suction	<ul style="list-style-type: none">- - Clogged filter	Perform a filter cleaning. If it is not sufficient, replace it.
	Clogged suction pipe	<ul style="list-style-type: none">- Check the suction pipe and clean it.
Excessively noisy engine	<ul style="list-style-type: none">- Faulty fan	<ul style="list-style-type: none">- Contact DEPURECO Technical Support.



5.5 SCRAPPING



In case of scrapping, to avoid damage to the environment, all components of the vacuum cleaner, must be disposed of responsibly, in appropriate landfills, in compliance with current legislation - for Italy Legislative Decree no. 152/2006 and subsequent amendments. (subsequent modifications and additions).

Before scrapping the machine, the plastic and rubber materials must be separated from the electrical material.

Correct disposal of the product (electrical and electronic equipment waste)

The electrical and electronic parts of this product must be disposed of in compliance with Italian Legislative Decree 151/2005 and subsequent amendments. (Directive 2002/96/EC on WEEE - Waste Electrical and Electronic Equipment)

The parts of the vacuum made of plastic material, aluminium and steel can be recycled in appropriate centres.

ISCRIZIONE AL REGISTRO RAEE N IT18090000010711



In the event of doubts, avoid interpreting the information! Call immediately your reseller!



MAINTENANCE LOG:

INTERVENTION 1:

DATE:

TECHNICAL ASSISTANCE:

TYPE OF INTERVENTION:



MAINTENANCE LOG:

INTERVENTION 2:

DATE:

TECHNICAL ASSISTANCE:

TYPE OF INTERVENTION:



MAINTENANCE LOG:

INTERVENTION 3:

DATE:

TECHNICAL ASSISTANCE:

TYPE OF INTERVENTION: