



USE AND
MAINTENANCE
MANUAL
SERIES
M 100 OIL

TABLE OF CONTENTS:

1. INFORMATIVE SECTION

| | | |
|------|--|----|
| 1.1 | Foreword..... | 4 |
| 1.2 | Main parts | 6 |
| 1.3 | Optional parts..... | 7 |
| 1.4 | Manufacturer's identification data..... | 7 |
| 1.5 | Identification plate..... | 7 |
| 1.6 | Permitted Uses..... | 7 |
| 1.7 | Authorised environmental conditions | 7 |
| 1.8 | Noise level..... | 8 |
| 1.9 | Technical data | 9 |
| 1.10 | Warranty..... | 10 |
| 2.1 | Safety Information..... | 11 |
| 2.2 | Safety recommendations..... | 12 |
| 2.3 | Safety plates and symbols | 14 |
| 2.4 | Residual risks..... | 16 |
| 2.5 | Applied Directives..... | 16 |
| 3.1 | Handling..... | 17 |
| 3.2 | Unpacking | 18 |
| 3.3 | Installation..... | 19 |
| 4.1 | Description of controls..... | 21 |
| 4.2 | Operation cycle..... | 22 |
| 4.3 | Emptying solid parts out of the container..... | 24 |
| 4.4 | Emptying the container from liquids | 26 |
| 4.5 | Storage - decommissioning | 27 |
| 5.1 | Informative notes | 28 |
| 5.2 | General safety regulations | 29 |
| 5.3 | Washing or replacing the oil mist filter..... | 31 |
| 5.4 | Washing or replacing the washable filter..... | 32 |
| 5.5 | Troubleshooting | 34 |
| 5.6 | Scrapping..... | 35 |



1. INFORMATIVE SECTION



This manual forms an integral part of the vacuum cleaner. Read this manual and the other attachments supplied carefully. Knowledge of the instructions here contained is indispensable for the safe use and maintenance of the vacuum cleaner

IMPORTANT - The DEPURECO term and logo in this document refer to and are the property of **DEPURECO INDUSTRIAL VACUUMS S.r.l.**

This document remains the exclusive property of DEPURECO S.r.l. Full or partial reproduction by any means (graphical, electronic, etc.) is prohibited without prior authorisation from the Company Management.

1.1 Foreword

Dear Customer

Thank you for choosing the company DEPURECO and a DEPURECO M 100 OIL series vacuum cleaner. This manual has been prepared in order for you to fully appreciate the quality of this machine.

Please read all sections before using the machine for the first time.

It includes information, recommendations and important warnings concerning the use of the vacuum, which will help fully exploit the technical properties of your machine.

Read messages, warnings and indications preceded by the following symbols carefully:



For the safety of persons



For the integrity of the vacuum cleaner



For the safeguard of the environment



This vacuum cleaner has been designed for the suction of dust and processing residues.

Liquids ingested tend to deposit in the container below (in the event of liquids with solids, which are deposited in the basket inside the container). Suspended liquids are conveyed by the air flow until deposited on the surface of the oil mist filter positioned on the upper part of the filter chamber.

This manual describes the following models:

M 100 OIL

The vacuum cleaner is equipped with the following filters:

- CLEAN OIL MIST FILTER
- RAM/FROG WASHABLE FILTER

This manual provides you with all pieces of information necessary for the use and maintenance of your vacuum cleaner.

This specific model has undergone strict testing to ensure maximum reliability. Its operation and durability will depend on proper use and maintenance.

This manual forms an integral part of the vacuum cleaner and must accompany the machine for its entire life cycle.

In the event it is lost or damaged, you can request another copy from DEPURECO INDUSTRIAL VACUUMS S.r.l. (henceforth shortened to DEPURECO).

The technical information contained in this manual is exclusive property of DEPURECO and must be considered confidential.

Reproduction, even partial, of graphics, text and illustrations is prohibited by law.

Some details shown in the figures in this manual may differ from those on your vacuum; this is because some components can be removed to ensure maximum illustration clarity.

This manual has been divided into sections for easy consultation and each section has been identified by a specific graphical symbol.

The topics covered in this manual are those expressly required by Machinery Directive 2006/42/EC and the technical data are taken from the technical file archived at DEPURECO.

With reference to Regulation 1907/2006/EC (REACH), DEPURECO hereby declares that no Substances of Very High Concern - SVHC - included in the Candidate List, are contained in its products.

This manual should be kept in a place accessible to all personnel in charge of operating and performing maintenance on the vacuum cleaner.

In the event of any dispute arising, the Court of Turin (Italy) shall have jurisdiction



This manual forms an integral part of the vacuum cleaner. Read this manual and the other attachments supplied carefully. Knowledge of the instructions here contained is indispensable for the safe use and maintenance of the vacuum cleaner



1.2 Main parts



1. Vacuum head with on/off controls
2. Handle for moving
3. Filter chamber
4. Suction nozzle
5. Dirt collecting container
6. Liquid level indicator
7. Container release/attachment handle



1.3 Optional parts

A wide range of optional accessories is available from DEPURECO depending on the intended use of the vacuum.

1.4 Manufacturer's identification data

DEPURECO INDUSTRIAL VACUUMS S.r.l.

Corso Europa 609 - 10088 Volpiano (TO) - ITALY

phone +39 011 98 59 117 - fax +39 011 98 59 326 | VAT NO. 02258610357

e-mail: depureco@depureco.com - website: www.depureco.com

1.5 Identification plate

The data on the vacuum identification plate must be referred to in any correspondence with the manufacturer or the dealer.



1.6 Permitted Uses

This specific vacuum cleaner model has been designed, built and protected exclusively for professional industrial use for the suction of liquids and/or liquids with solid suspensions, provided they are not inflammable nor toxic.

Any other use is considered **IMPROPER**.

1.7 Authorised environmental conditions

To ensure correct operation, the vacuum cleaner must be kept away from atmospheric agents (rain, hail, snow, fog, dust in suspension, etc.) in an area with a room temperature range between 5° and 45°C and a relative humidity no higher than 70%.

The work environment must be clean, suitably lit and must not give rise to potentially explosive atmosphere.



1.8 Noise level

The phonometric tests performed on this specific vacuum cleaner model demonstrate a sound pressure level of

M 100 OIL

72 dB(A)



WARNING!

Workers exposed to sound pressure levels higher than 85 dB(A) must be protected by suitable personal protection device (PPE) such as certified individual ear defenders.



Under these conditions, workers must be provided with adequate training and information on risks arising from noise exposure.



1.9 Technical data

| | U.M. | M 100 OIL |
|----------------------------|---------------------|------------------|
| Weight* | [Kg] | 90 |
| Overall dimensions** | [mm] | 700 x 450 x 1400 |
| Voltage / Frequency | [V]- [Hz] | 230 - 50/60 |
| Power | [kW - HP] | 3.9 - 5.2 |
| Maximum depression | [mBar] | 250 |
| Air flow rate | [m ³ /h] | 570 |
| Noise level | [dB-A] | 72 |
| Filling time | [L/s] | 100/26 |
| Solids container capacity | [L] | 50 |
| Liquids container capacity | [L] | 100 |

(*) weight without packaging - packaging weight = 18 Kg

(**) machine dimensions without packaging



1.10 Warranty

DEPURECO guarantees this model of vacuum cleaner for a period of 12 months from the date of purchase, indicated on the receipt at the time of delivery of the product.

The guarantee is null and void in the event that the vacuum is repaired by unauthorised third parties or by using equipment, accessories or components not supplied or not authorised by DEPURECO, or if the serial number is removed (during the guarantee period).

For the duration of the guarantee, DEPURECO undertakes to repair or replace free of charge parts and components which prove to have manufacturing defects.

Repairs will be exclusively executed at a DEPURECO site or in a DEPURECO approved Assistance Centre and the machine must be sent free of charge (freight cost at user's charge unless otherwise agreed).

The guarantee does not cover cleaning of working parts.

The purchase invoice must be shown to the authorised technical personnel carrying out the repair and must accompany the vacuum during its shipment.

Defects that are not evidently due to materials or manufacturing will be examined solely at our premises or at a Technical Service Centre of our choosing.

Should the complaint be unjustified, all repair and/or replacement expenses shall be charged to the purchaser.

In any case, the following items are not covered by the guarantee: accidental damage due to transport, negligence, abnormal use, improper use, non-compliance with the instructions contained in this booklet or arising from phenomena that do not depend on normal use/operation of the vacuum.

DEPURECO shall not be held liable for any injuries to persons or damage to objects caused by misuse or improper use of the vacuum.

In the event of any dispute arising, the Court of Turin (Italy) shall have jurisdiction.



To use the warranty visit www.depureco.com or photocopy the form available on the last page of this manual, fill it in all its parts (in capital letters would be recommended), and send it via fax to Depureco at the number + 39 011 98 59 117



In the event of doubts, avoid interpreting the information! Call your retailer immediately!



2. SAFETY SECTION

2.1 Safety Information



As per Italian Legislative Decree 81/08 and subsequent modifications, the Safety Manager must train and inform workers about risks involved with using the vacuum cleaner so that they may be able to avoid injury to themselves and others.

Failure to comply norms, laws or basic safety precautions, may cause accidents during operation, maintenance and repair of the vacuum cleaner. Accidents can frequently be avoided by recognising potentially hazardous situations before they occur. Adequate training is crucial to this end.

DEPURECO shall not be held liable for accidents or damage due to the improper use of the vacuum by untrained personnel or to failure to comply, even partially, with the occupational safety standards and intervention procedures contained in this manual.

Safety warnings and precautions are indicated in this manual as well as on the product itself. Operators must pay special attention to these hazard warnings to prevent accidents with serious consequences for themselves and other people.

Safety messages are indicated by the following symbols:



WARNING!

Failure to comply with these messages may cause injuries to the operator.



WARNING!

Failure to comply with these warnings can cause damage to the vacuum cleaner.



WARNING! Failure to comply with these warnings can harm the environment.



DEPURECO designs and manufactures its equipment and accessories with care, identifying and compensating all possible risks related to their use. In the event of equipment, procedures, work methods or techniques not expressly provided for by DEPURECO being used, it is crucial to ensure beforehand that there are no dangers for oneself and the others. Nevertheless, DEPURECO shall not be held liable.



Use exclusively Depureco original spare parts.

Depureco disclaims any liability in case spare parts other than original have been used.

2.2 Safety recommendations



WARNING!

The following information plays an important role in preventing all hazards that may occur while the vacuum cleaner is running. However, they cannot replace the expertise and common sense of operators as an overall framework for the prevention of accidents.

Each section lists further safety measures specific to the various functions.

CAUTION!

- This vacuum may only be used by suitably trained adults.
- This vacuum cleaner is intended for industrial use, e.g. in factories, warehouses, workshops.
- Ensure that mains electrical connects have suitable earthing.
- During use, always block the vacuum cleaner using the special brake located on the swivelling wheel
- This vacuum cleaner should not be used in corrosive or potentially explosive atmospheres.
- Keep the vacuum cleaner clear of foreign objects such as debris, oil, tools and other objects which may impede its functioning and cause personal injury.



- Avoid the use of toxic or inflammable solvents, such as petrol, benzene, ether and alcohol for cleaning.
- Avoid prolonged contact with solvents and inhaling their vapours.
- Avoid using near open flames or heat sources; ensure adequate ventilation.
- Never use the vacuum cleaner without its filter.
- Do not vacuum up cigarette butts: the filter(s) could ignite.
- Do not vacuum petroleum products or inflammable liquids in general.
- Ensure that all protection equipment and guards are in place and that all safety devices are present and operating.
- Do not wear loose or flowing apparel such as ties, scarves, or torn clothing that could become hung or caught up by the vacuum cleaner.
- Do not open the container while the vacuum cleaner is operating.
- Never use extension leads, plug-in connection devices and adapters.
- Never use the vacuum cleaner on machines that are operating
- Do not climb on the vacuum cleaner.
- Do not touch electrical wires, switches, buttons, etc. with wet hands.
- Regularly check the integrity of the power cable.
- When using the industrial vacuum cleaner, some components (motor connector, motor body in particular) may reach high temperatures.
- During operations to return to original work conditions, the personnel in charge must ensure at the end of the procedure that normal operating and safety conditions of the vacuum and, in particular, of the safety devices and protective guards involved in the operation are once again guaranteed.
- Should the Customer install a tool not supplied by DEPURECO on the vacuum, the safety requirements of Machinery Directive 2006/42/EC must be met. Nevertheless DEPURECO shall not be held liable for problems caused by the use of such parts.
- Structural damage, alterations or improper repairs can modify the protective capacity of the vacuum, thereby nullifying this certification and releasing DEPURECO from any liability.
- This manual must be kept near the machine, so it may be consulted to check the correct cycle use at any time doubts may arise.



- In the event it is lost or damaged, request another copy from DEPURECO.



WARNING!

This vacuum cleaner may contain dust that may be hazardous to your health. The emptying out and maintenance procedures, including removing the dust containers, must be carried out exclusively by specialized personnel wearing suitable safety clothing. Never switch the machine on in the absence of a complete filtering system.

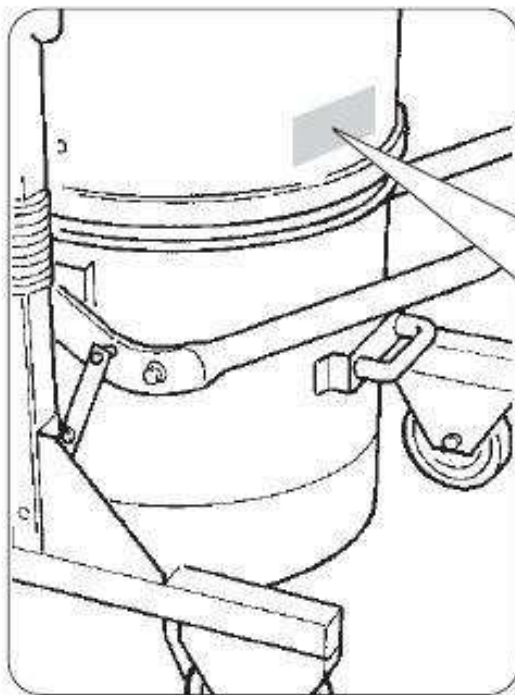
2.3 Safety plates and symbols

Plates with safety symbols and/or messages are applied to the vacuum and its packaging. These pages show their precise location and the nature of the hazard.



Warning!

Ensure that all safety messages are perfectly legible. Clean them using a cloth with water and soap. Do not use solvents, naphtha or petrol. Request replacements for damaged plates from DEPURECO. In the event that a plate is located on a piece that is replaced, ensure that a new plate is affixed to the new piece.





Warning!

Crushing hazard for the upper limbs during insertion and locking of the dirt container under the vacuum cleaner.

Never place your hands between the vacuum and the dirt container while inserting and locking the later under the vacuum cleaner.

Lock the container by means of the special lever, using **BOTH HANDS**



Warning!

Read carefully this use and maintenance manual before using the vacuum cleaner or carrying out maintenance operations on it



Read carefully the instructions on the packaging before handling the vacuum cleaner



2.4 Residual risks

DEPURECO recommends complying with the instructions, procedures and recommendations in this manual and with the safety standards in force. DEPURECO also recommends using suitable personal protective equipment as well as the protection devices integrated in the vacuum.

The residual risks analysed on the vacuum and/or its components could be:

Electrical risks during maintenance due to the requirement to work on live parts

Pursuant to Italian Legislative Decree 81/08 – articles 80 to 87 – it is prohibited to operate on live parts, notwithstanding the exceptions set forth by said Legislative Decree.

Risks associated with incorrect use in presence of explosive and inflammable liquid substances

The vacuum must not be used in environments containing liquid substances or liquids that can evaporate at room temperature, inflammable powders and gas.

Risks related to operation in humid environments

Respect the limitations indicated in this manual, in section 1.5 “Authorised environmental conditions”.

Risk of incorrect interpretation of the safety pictograms

With reference to risk analysis and identification, DEPURECO has installed hazard labels on the vacuum, in compliance with the standards concerning graphical symbols.

The user must immediately replace any safety plate rendered illegible due to wear or damage.



Warning!

The removal of safety plates from the vacuum and/or its components and packaging is strictly prohibited.

DEPURECO shall not be held liable for the vacuum's safety in the event of failure to comply with this prohibition.

2.5 Applied Directives

The following directives apply to the vacuum cleaner described in this manual:

- 2006/42/EC Machinery Directive
- 2014/30/EU Electromagnetic compatibility directive
- 2011/65/EU - ROHS - Directive on the restriction of the use of certain hazardous substances in electrical and electronic equipment

The reference standards, including their binding requirements, are managed and filed within the DEPURECO Quality Management System



3 HANDLING, UNPACKING AND INSTALLATION SECTION

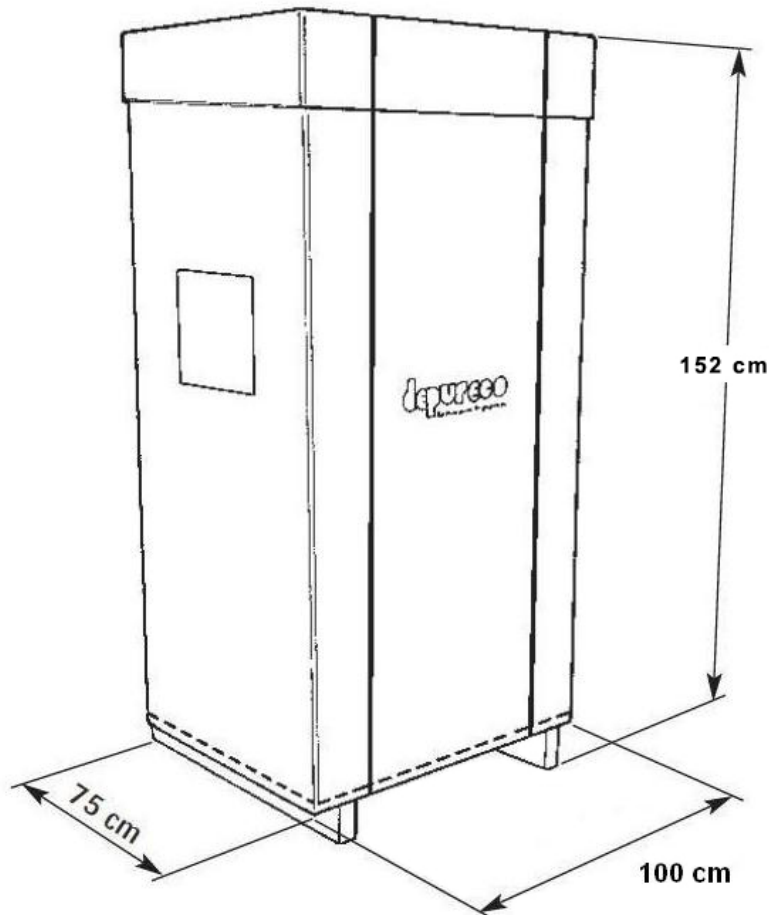
3.1 Handling



Warning!
The instructions for transporting and unpacking the vacuum correctly are shown on the packaging as well.

The following instructions also indicate the operations to be undertaken should the vacuum need to be re-packed or unpacked after subsequent transportation.

Dimensions of packed vacuum cleaner:



The vacuum cleaner must be lifted and handled exclusively using a forklift having suitable load bearing capacity.



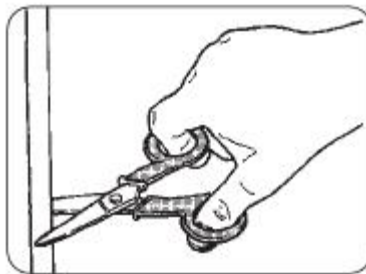
When using a forklift, lift the load 200 mm off the ground and swing backwards.

Always keep the height of the working environment in mind when lifting loads.

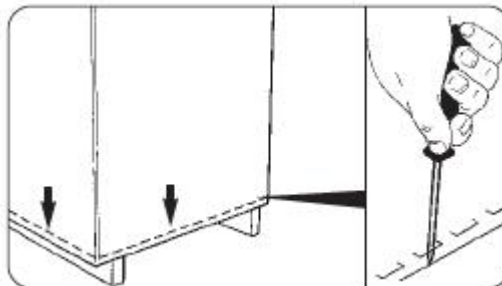
Before starting any movement, ensure that the area is cleared and that there are no moving objects on the packaging. For lifting and handling, apply operating safety laws and normal instructions for fork-lift truck driving.

3.2 Unpacking

- Cut and unwind the two packaging fixing belts



- Remove the staples that fix the card packaging to the pallet with the aid of a screwdriver



- Remove the cardboard completely





cut the two fastening strips between the pallet and the vacuum cleaner base



The cardboard packaging can be recycled. To protect the environment, make sure to dispose of it in specialised collection centres.



Warning!

Keep the pallet.

For any subsequent transportation, the vacuum cleaner must be anchored to the pallet using a similar locking system.

3.3 Installation



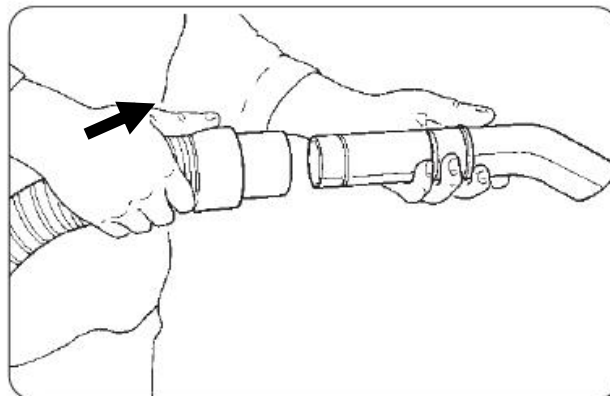
Caution!

Before installing the vacuum, it is important to carry out a thorough preventive visual inspection to identify any damage which may have occurred during transport.

In the event of one or more components being damaged, do not continue with installation and inform DEPURECO about the anomaly and agree upon action to be taken.

The vacuum cleaner is already fitted with an appropriate filter intended exclusively to vacuum dry dust or debris

- Insert the flexible pipe fitted with terminal to the designated suction port (detail no.4, chap. 1.1)
- insert the accessory desired for the type of suction from the opposite side of the pipe

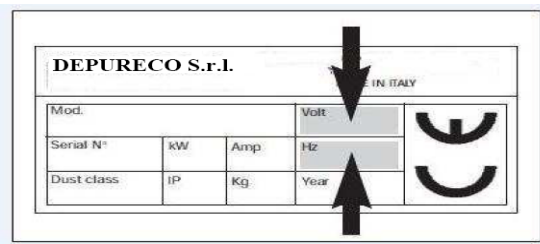




Note: the flexible pipe and the relevant end-pieces and suction accessories are not included with the STANDARD model. Contact your dealer (or DEPURECO) for information regarding the various types of OPTIONALS that can be used on this specific model.

The following operation must be carried out by a qualified electrician.

Ensure that the power supply line corresponds to the voltage and frequency indicated on the identification plate and that it is efficiently earthed.



The vacuum cleaner's electrical current supply socket must be protected by a CE-marked circuit breaker.

Insert the plug (standard supply) into the socket.



Warning!

Do not insert the plug in the power supply socket with wet hands.

Do not use extension leads.



4 OPERATION SECTION

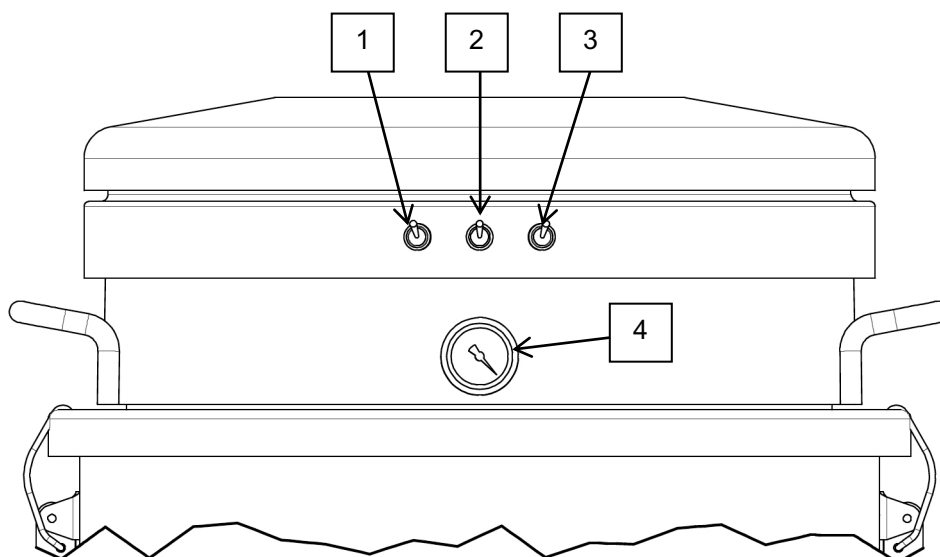
4.1 Description of controls



Warning!

The vacuum can be used solely by authorised personnel after having read these use and maintenance instructions.

The user of the equipment and the maintenance technician, who carry out operations on the vacuum, must be adequately educated, informed and trained, in compliance with the occupational safety standards in force and, during the various operations, must wear personal protective equipment (PPE), such as safety footwear, gloves, protective goggles, mask, etc. The user must comply with the provisions in force concerning extracted materials and their disposal.



1. ON/OFF switch for first motor
2. ON/OFF switch for second motor
3. ON/OFF switch for third motor
4. Vacuum gauge



4.2 Operation cycle

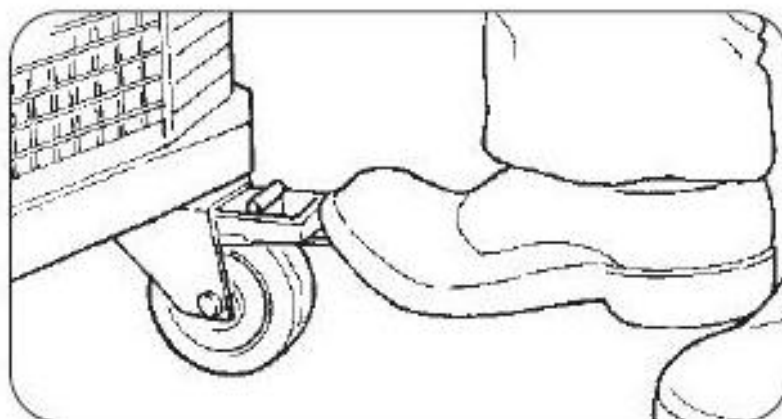
Ensure that the power cord is intact and in perfect state.



Warning!

Before inserting the plug, ensure that the voltage of the power supply line corresponds to that indicated on the vacuum's identification plate.

- Ensure that the power plug is inserted into the socket correctly.
- Make sure the flexible pipe is properly inserted and tightened in the special suction port (detail no. 5, chapter 1.1).
- Make sure the dirt container (detail no. 5, chap. 1.1) is fitted and locked under the chamber (detail no. 3, chap. 1.1) of the vacuum cleaner
- Secure the vacuum cleaner using the lever on the rotating wheel, as shown in the figure.





Hold the end of the flexible pipe with the chosen vacuum accessory.

Press one of the switches (1 or 2 or 3) and start suction.

For greater suction power it is possible to activate the second motor and/or the third switch by pressing the other switch.

To switch the vacuum cleaner off it is necessary to press the switches previously activated.



Caution!

Before switching the vacuum cleaner on again, make sure that the motors are completely stopped

Use the handle on the back of the vacuum cleaner to move it around (detail n°7, chap. 1.1)

On the exterior part of the vacuum cleaner there is an indicator for the level of liquids sucked up (detail no. 6, chap. 1.1). When the amount of liquid sucked up reaches the maximum level it is necessary to empty the container (see chap. 4.4).

On models M 100 OIL there is a vacuum gauge (4) that indicates the degree of vacuum inside the vacuum cleaner. The vacuum gauge signals to the operator the conditions of the filter(s): the increase in vacuum indicates an increase in clogging of the filter(s), with a consequent reduction in suction power.

When the filter/s is/are blocked the vacuum gauge signals the value provided in the table that follows



Caution!

During operation, prevent the flexible pipe from rolling up or kinking.



| Type | Clogged filter value | |
|---------|----------------------|---------|
| M100OIL | -0.22 bar | -22 kPa |



Caution!
Do not use the vacuum cleaner with the filter clogged

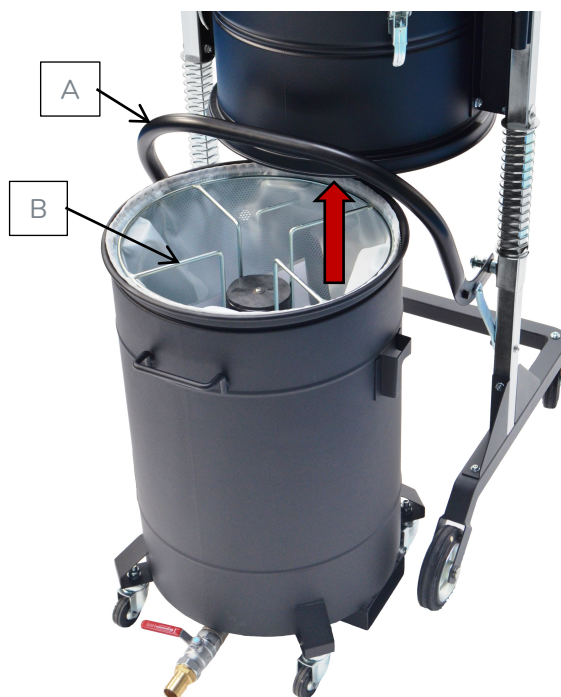
4.3 Emptying solid parts out of the container



Warning!
During this operation, wear appropriate PPE (gloves, dust mask, goggles, etc.)

To empty the container from any solid parts present in the suctioned liquid, proceed as follows:

- Switch off the machine and wait for the motors to stop completely
- Disconnect the vacuum cleaner from the power supply
- Release the container by lifting the relevant handle (A)
- Remove the container from the vacuum cleaner, using the handle
- Remove the internal cage (B) (complete with float) from the container



- Extract the basket (complete with washable internal filter) from the inside of the container using the handles on the sides
- Empty the basket from the debris inside it.

In order to facilitate handling and emptying, at the base of the container there is a metal profile for possible insertion of the container



Warning!
If the container weighs more than 15 kg, seek assistance from someone else



Warning!
Waste disposal must take place in compliance with the laws in force in the country in which the vacuum cleaner is used - for Italy Legislative Decree 152/2006 and subsequent amendments.

In the event of use with class M and H dusts, these must be conveyed to a special plastic bag



To restore use of the vacuum cleaner operate in reverse:

- Insert the basket, complete with washable filter, into the container
-
- Insert the cage complete with float into the basket
- place the container under the filter chamber and lock it by means of the relevant handle
- Connect the vacuum cleaner to the electricity supply
- Turn on the vacuum cleaner and evaluate regular operation
-

4.4 Emptying the container from liquids



Warning!

During this operation, wear appropriate PPE (gloves, dust mask, goggles, etc.)

On the vacuum cleaner, at the base of the container, there is a valve for emptying the liquids sucked up from the container.

To empty follow the instructions below:

- Switch off the vacuum cleaner and wait for the motors to stop completely
- Disconnect the vacuum cleaner from the power supply
- Open the drain valve (D) (turn the lever to ON)



To restore use of the vacuum cleaner operate in reverse:

- Close the drain valve (D) (turn the lever to OFF)
- Connect the vacuum cleaner to the electricity supply
- Turn on the vacuum cleaner and evaluate regular operation



Warning!
Do not use the vacuum cleaner with the discharge valve open



Warning!
Upper limb crushing hazard!

Never insert your hands between the dirt container and the vacuum cleaner in the locking phase

4.5 Storage - decommissioning

Remove the filter and clean it, empty the debris collecting container or remove the bag part with the debris and store the vacuum cleaner in a place protected from atmospheric agents with temperatures between 0° and 40°C, covering it with a nylon sheet so as to avoid dust build up



5. MAINTENANCE SECTION



Warning!

Special vacuum maintenance must be carried out solely by specialised technicians authorised by the DEPURECO dealer.

5.1 Informative notes

This section describes the checks and routine maintenance operations required to ensure proper vacuum operation.

Maximum reliability and minimum maintenance costs are the result of a planned maintenance and inspection schedule carefully followed throughout the entire lifespan of the vacuum.

Observe the set maintenance intervals and schedule the interventions according to specific requirements in relation with the vacuum production cycle.

Always use perfectly working tools specifically intended for the operation to be carried out; the use of inadequate or inefficient tools can cause severe damages.

Any other intervention required to remove faults or malfunctions must be expressly authorised by the manufacturer.

In these cases, always communicate the vacuum identification data - see para. 1.4 of this manual.

For significant repairs, refer to the authorised dealer, whose specialised personnel has the technological expertise in the original factory build and is always available for prompt interventions.

For user maintenance operations, the vacuum must be disassembled, cleaned and maintained, where possible, in such a way as to prevent hazards to the maintenance personnel and to third parties. Suitable precautionary measures include decontamination before dismantling, measures for filtered forced ventilation of the room where the appliance is disassembled, cleaning of the maintenance area and suitable personal protection equipment.

At least once every three months (or more frequently, according to the operating cycle and the conditions of use), the manufacturer or a qualified technician must check the filters, ensuring that they are not damaged; and ensuring proper operation of the control devices.

Should maintenance operations or repairs be carried out, all contaminated objects must be adequately cleaned, placed in waterproof bags and disposed of in compliance with the regulations in force.



5.2 General safety regulations



Warning!

All the operations described above must be carried out with the plug disconnected from the socket.



Before starting any maintenance or cleaning operation, wear suitable PPE (protective clothing, goggles and/or gloves, etc.) according to the work to be done.

Place a sign on the vacuum with the message:

“MACHINE UNDER MAINTENANCE
DO NOT START”



Before returning to use, the whole system must be checked according to the starting procedures.

Run a few trial operating cycles after every maintenance operation to ensure proper machine operation.

Failure to observe these precautions can cause serious injury to personnel.

Maintenance operations must be carried out by trained technicians specialised in the following sectors:

- Mechanical maintenance
- Electrical maintenance

It is the Chief Safety Officer's duty to ensure the professionalism and skills of these technicians.

Before starting any maintenance operation, the Chief Safety Officer must:

- Keep unauthorised personnel out of the work area.



- Ensure that the necessary tools are in good conditions and readily available to the maintenance technician.
- Ensure the maintenance technician is equipped with the personal protection equipment required for the specific operation (gloves, goggles, shoes, mask, etc.)
- Make sure the maintenance technician has carefully read the instructions contained in this manual and has perfectly acquired knowledge on the operation of the vacuum and its components.



- ☞ Ensure that the necessary tools are in good conditions and readily available to the maintenance technician.
- ☞ Ensure that the maintenance technician is equipped with the personal protective equipment required for the specific operation (gloves, goggles, shoes, mask, etc.).
- ☞ Make sure the maintenance technician has read

- Ensure that there is enough light and, if necessary, provide 24 Volt torches.

Before starting any maintenance operation, the Maintenance technician must:

dissect all power supplies and put the vacuum cleaner in a safe lock



Warning!

If absolutely necessary operating with the power turned on, pursuant to Italian Legislative Decree 81/08, the maintenance technician must maintain a safe distance, prepare reachable emergency stop buttons and never place hands in the discharge container.

At the end of the procedure and before returning to use, the maintenance technician must check that guards are functioning correctly and the protection devices are intact.

Operations on the motors or on other electrical components must only be carried out by the specially trained electrical maintenance technician authorised by the Chief Safety Officer.

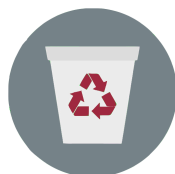


Warning!

After any maintenance work, the Chief Safety Officer is required to check the safety conditions of the vacuum cleaner and of its safety devices.

Before every work shift

- Check that the power cord and the plug are not damaged: replace them immediately if there are any signs of wear, using a cord of the same type (information c/o DEPURECO). This operation is the sole responsibility of an electrician.
- Check the integrity of the safety symbols (pictograms) applied to the vacuum cleaner.
- Check for proper efficiency of the filter/filters
- Check the integrity of the flexible suction pipe and of the accessories to be used.



Warning!

The flexible suction pipe, if perforated, reduces the suction power and releases dust into the surrounding environment.



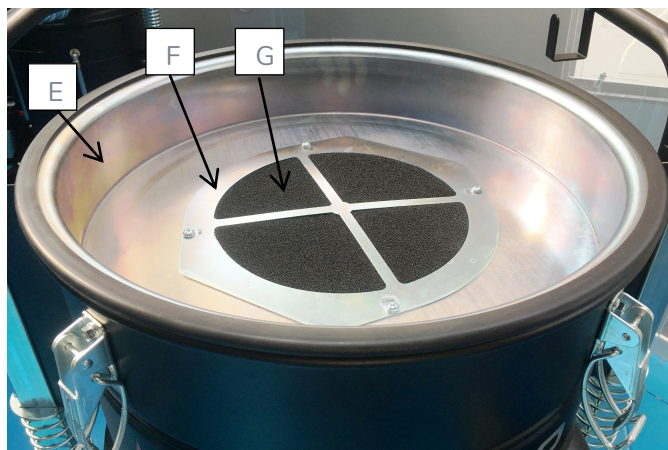
5.3 Washing or replacing the oil mist filter



Warning!
Wear appropriate PPE (dust mask, latex gloves, goggles, etc.).

To wash or replace the oil mist filter, proceed as follows:

- Switch off the vacuum cleaner and wait for the motors to stop completely
- Disconnect the vacuum cleaner from the power supply
- Unlock the hooks securing the head to the filter chamber on both sides
- With the help of a second person, remove the suction head
- Lift the oil mist filter holder (E) from the inside of the filter chamber and place it on a work bench.
- Remove from the filter cage (F) the oil mist filter sponge (G) and wash it with water. If washing does not remove the cause of clogging it is necessary to replace the sponge. For greater convenience, before this operation, it is possible to unscrew the cage complete with mist filter (F) from the relevant support (E)



Remove the filter, put it in a plastic bag, seal it and dispose of it according to the legislation in force regarding the type of material extracted



To reassemble the filter, operate in reverse order:

- Insert the suitably washed oil mist filter sponge or a new sponge inside the cage
- If previously the cage complete with filter sponge has been removed from the appropriate support, screw the cage to the latter
- Insert the filter support inside the filter chamber
- With the help of a second person, place the suction head on the filter chamber, then lock the head with the appropriate closing hooks
- Connect the vacuum cleaner to the electricity supply
- Turn on the vacuum cleaner and immediately evaluate its regular operation

5.4 Washing or replacing the washable filter



Warning!
Wear appropriate PPE (dust mask, latex gloves, goggles, etc.).

To wash or replace the washable filter, proceed as follows:

- Switch off the machine and wait for the motors to stop completely
- Disconnect the vacuum cleaner from the power supply
- Release the container by lifting the special handle
- Remove the container from the vacuum cleaner, using the handle
- Remove the internal cage (complete with float) from the container
- Extract the basket (complete with washable internal filter) from the inside of the container using the handles on the sides
- Empty the basket from the debris inside and remove the washable filter from inside it
- Wash the filter with water. If washing does not eliminate the cause of clogging it must be replaced



Remove the filter, insert it inside a plastic bag, close it and dispose of it according to the laws in force for the type of material being suctioned



To reassemble the filter, operate in reverse:

- Insert the washable filter into the suitably washed basket or a new filter inside the basket, then insert the basket into the container
- Insert the cage complete with float into the basket
- place the container under the filter chamber and lock it by means of the relevant handle
- Connect the vacuum cleaner to the electricity supply
- Turn on the vacuum cleaner and evaluate regular operation

EXCLUSIVELY USE FILTERS MANUFACTURED BY DEPURECO



5.5 Troubleshooting

| FAULT DETECTED | POSSIBLE CAUSE | SOLUTION RECOMMENDED |
|-----------------------------------|--|---|
| The vacuum cleaner will not start | <ul style="list-style-type: none">- No power supply Switch | <ul style="list-style-type: none">- Check for the presence of voltage in the socket- Check the condition of the plug and the power cable- Contact DEPURECO technical assistance |
| Irregular suction | <ul style="list-style-type: none">- Clogged filter(s) | <ul style="list-style-type: none">- Try to wash the filter(s). If of no avail, replace the filter(s) |
| | <ul style="list-style-type: none">- Clogged suction pipe | <ul style="list-style-type: none">- Check suction pipe and clean it. |
| Motors excessively noisy | <ul style="list-style-type: none">- Faulty motor/s | <ul style="list-style-type: none">- Contact DEPURECO technical assistance |



5.6 Scrapping



In case of scrapping, to avoid damage to the environment, all components of the vacuum cleaner, must be disposed of responsibly, in appropriate landfills, in compliance with current legislation - for Italy Legislative Decree no. 152/2006 and subsequent amendments. (subsequent modifications and additions).

Before scrapping the machine, the plastic and rubber materials must be separated from the electrical material.

Correct disposal of the product (electrical and electronic equipment waste)

The electrical and electronic parts of this product must be disposed of in compliance with Italian Legislative Decree 151/2005 and subsequent amendments. (Directive 2002/96/EC on WEEE - Waste Electrical and Electronic Equipment)

The parts of the vacuum made of plastic material, aluminium and steel can be recycled in appropriate centres.



In the event of doubts, avoid interpreting the information! Call your retailer immediately!

GUARANTEE

To use the warranty:

- Visit the website www.depureco.com
- Copy this form, fill it in completely, if possible in capital letters, and send it via fax to the manufacturer at the following number: +39 011 98 59 326 or to the address depureco@depureco.com

VACUUM CLEANER | COMPONENTS

| | |
|---------------|--|
| MODEL | |
| SERIAL NUMBER | |

DELIVERY DATE:

COMPANY:

STREET:

No.

CITY

ZIP CODE:

FIELD OF ACTIVITY

TELEPHONE:

PERSON IN CHARGE:

STAMP:



MAINTENANCE LOG:

INTERVENTION 1:

DATE:

TECHNICAL ASSISTANCE:

TYPE OF INTERVENTION:

INTERVENTION 2:

DATE:

TECHNICAL ASSISTANCE:

TYPE OF INTERVENTION:

INTERVENTION 3:

DATE:

TECHNICAL ASSISTANCE:

TYPE OF INTERVENTION:

INTERVENTION 4:

DATE:

TECHNICAL ASSISTANCE:

TYPE OF INTERVENTION:



Depureco Industrial Vacuums Srl
Società soggetta a direzione e coordinamento COFISE spa

Corso Europa, 609 - 10088 Volpiano (TO)
Tel. +39 011 98.59.117
Fax +39 011 98.59.326

PERFORMANCE ON VACUUM SINCE 1972

www.depureco.com
depureco@depureco.com
depureco@documentipec.com

C.F. e P.I. 02258610357
Registro Imprese di Torino - **R.E.A.** TO-1149668
Capitale Sociale: € 25.000 i.v.

