



## **INSTRUCTION AND MAINTENANCE MANUAL**

### **INDUSTRIAL VACUUMS**

#### **SERIES**

- **UPF 040**
- **UPF 085**
- **UPF 150**
- **UPF 220**



This manual forms an integral part of the vacuum cleaner.

DEPURECO recommends to read carefully this manual and the other attachments supplied. Knowledge of the instructions here contained is indispensable for the safe use and maintenance of the vacuum cleaner.

## **Preface**

*This manual provides all of the necessary information for operation and maintenance of your vacuum cleaner. Its proper function and duration will depend on quality maintenance and care in use.*

*Before leaving the factory this specific model has undergone a strict control check to guarantee the maximum reliability; however, it is necessary to check that the vacuum cleaner was not structurally damaged during transport, as this might compromise its operation and safety.*

*This manual is to be considered an integral part of the vacuum cleaner and must remain with it until its demolition.*

*In case of loss or damage, request a replacement copy from DEPURECO.*

*The technical information contained in this manual is the property of DEPURECO and must be regarded as reserved.*

*The reproduction, even partial, of the graphics, text and illustrations is forbidden by law.*

*Some items featured in the manual's illustrations may be different from those of your vacuum cleaner; a few components may have been removed to ensure clarity of the illustrations.*






*To facilitate consultation this manual has been subdivided into sections which are identified by specific, graphic symbols.*

*The subjects covered in this manual are those specifically required by the above mentioned machine directives. The technical data reported is that furnished by the manufacturer at the time of printing.*

*This manual is to be stored where it will be available to all personnel involved in operation and maintenance of the vacuum cleaner.*

*In the event of any controversy the Court of Turin shall have exclusive jurisdiction.*

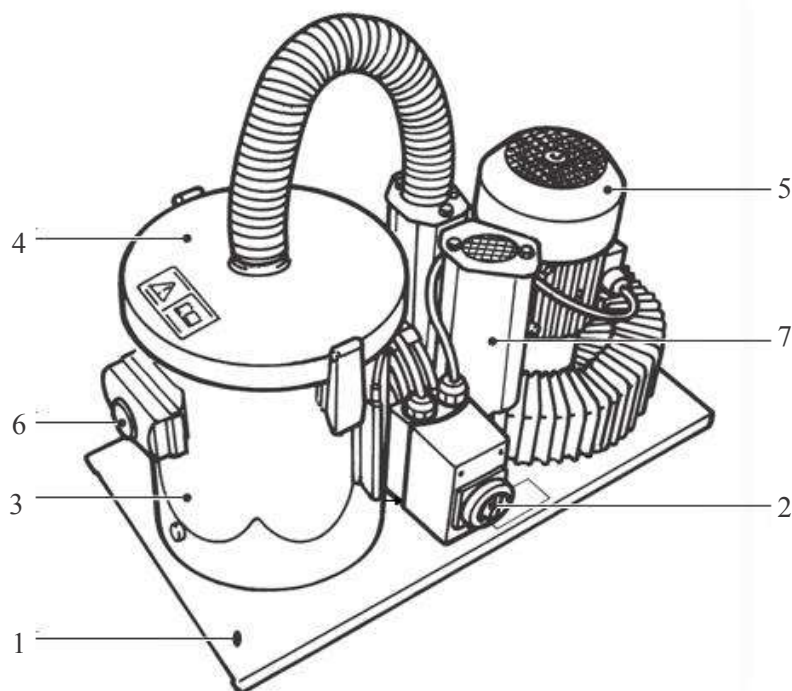
## CONTENTS

	1. INFORMATION SECTION .....	5
	1.1 Main parts identification .....	5
	1.2 Manufacturer identification data .....	6
	1.3 CE marking .....	6
	1.4 Area of uses .....	7
	1.5 Authorized environmental conditions .....	7
	1.6 Noise level .....	7
	1.7 Technical data .....	8
	1.8 Storage .....	8
	1.9 Demolition .....	8
	1.10 Guarantee .....	9
	2. SAFETY SECTION .....	10
	2.1 Safety information .....	10
	2.2 Safety measures .....	11
	2.3 Safety plates and symbols .....	13
	2.4 Residual risks .....	14
	2.5 Applied directives .....	14
	3. HANDLING, UNPACKING AND INSTALLATION SECTION .....	15
	3.1 Removal .....	15
	3.2 Unpacking .....	16
	3.3 Installation .....	16
	4. OPERATION SECTION .....	19
	4.1 Controls description .....	19
	4.2 Work cycle .....	19
	4.3 Emptying the waste container .....	20
	5. MAINTENANCE SECTION .....	23
	5.1 Informative notes .....	23
	5.2 General safety norms .....	23



## 1. INFORMATION SECTION

### 1.1 Identification of the main parts



- 1) Base
- 2) On/Off control
- 3) Waste container
- 4) Cover
- 5) Pump motor
- 6) Mouthpiece for suction tube insertion
- 7) Filter

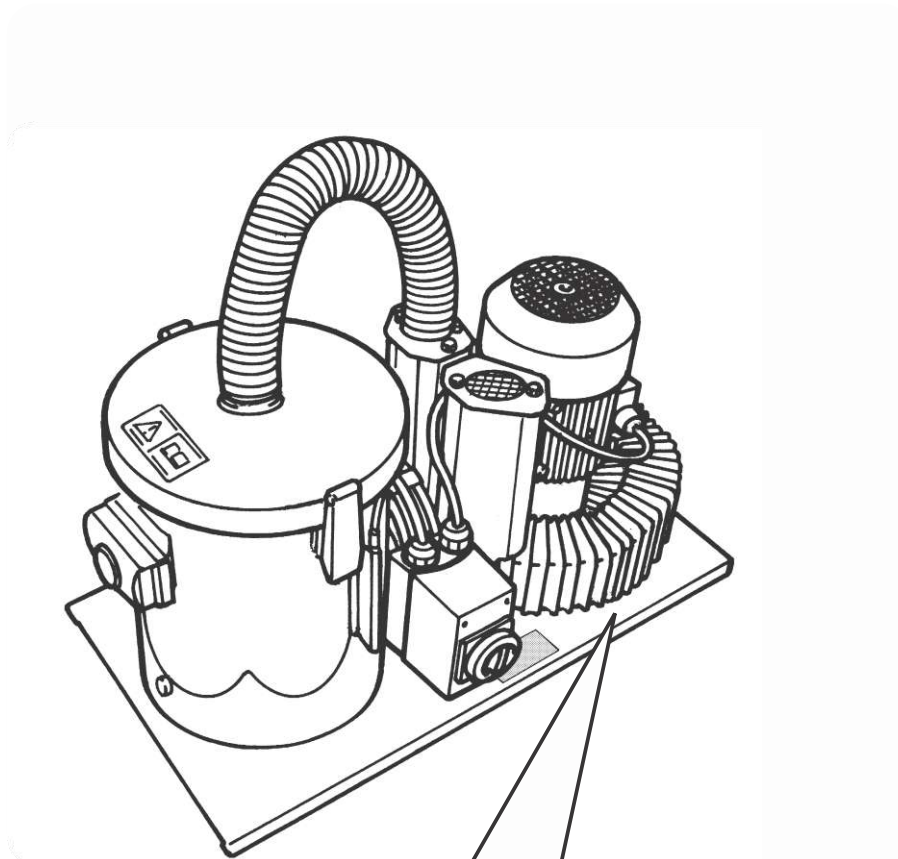


## 1.2 Manufacturer's identification data

**DEPURECO INDUSTRIAL VACUUMS S.r.l.**  
C.so Europa. 609 – 1008 Volpiano (TO) – ITALY  
tel. +39 011 98 59 117  
fax +39 011 98 59 326  
e-mail: [depureco@depureco.com](mailto:depureco@depureco.com)  
website: [www.depureco.com](http://www.depureco.com)

## 1.3 CE marking

It is necessary to give the identification plate data of the vacuum cleaner for any communication with the manufacturer or retailer.



<b>DEPURECO S.r.l</b>				C.so Europa, 609 - Volpiano (TO) 10088 - ITALY	
				Tel. +39 011. 98. 59. 117 - Fax. +39 011. 98. 59. 326	
				MADE IN ITALY	
Mod.		Volt.			
Serial N.	kW	Amp.	Hz.		
Dust Class	IP	Kg.	Year		



## 1.4 Areas of use

This specific vacuum cleaner model has been designed, built, and protected for cleaning dry, non-flammable and non-hazardous dust only.

If equipped with a special filter and float, the vacuum cleaner may be used to clean non-flammable and non-corrosive liquids.

Any other use is considered INCORRECT.

The vacuum cleaner is designed for professional industrial use.

## 1.5 Approved environmental conditions

To ensure correct operation of the vacuum cleaner, it must be kept away from atmospheric agents (rain, hail, snow, fog, dust in suspension, etc.) and operated in an area with a temperature range between 5° C and 45° C and with a relative humidity no higher than 70 %.

The work area must be clean, with sufficient lighting and have a non-explosive atmosphere.

## 1.6 Noise level

The noise tests conducted on these specific vacuum cleaner models reveal an acoustic pressure of:

UPF 040 db(A) 64

UPF 085 db(A) 64

UPF 150 db(A) 64

UPF 220 db(A) 64



## 1.7 Technical data

		040	085	150	220
POWER / PUISSANCE	kW	0.4	0.85	1.5	2.2
VACUUM / DÉPRESSION MAX	mBar	160	200	230	300
MAX AIR FLOW/ DÉBIT	mc/h	80	150	280	320
VOLTAGE / VOLTAGE	V - Hz	400 - 50/60	400 - 50/60	400 - 50/60	400 - 50/60
INTAKE OPENING / BOUCHE ASPIRANTE	mm	50	50	50	50
DUST BIN / CUVE	L	10	10	20	20
NOISE LEVEL / NIVEAU SONORE	dB(A)	64	64	64	64
WEIGHT / POIDS	Kg	42	42	42	42
DIMENSIONS / DIMENSIONS	cm	68x120x137	68x120x137	68x120x137	68x120x137

(•) = Without packing

## 1.8 Storage

Remove the filter and clean it. Empty the waste collection container and store the vacuum cleaner in a place free from atmospheric agents and with a temperature range of 5° C to 45° C. Cover it with a plastic bag to prevent dust from collecting.

## 1.9 Demolition

In case of demolition, all of the vacuum cleaner's components must be deposited in appropriate waste disposal sites in accordance with current legislation.

Before demolition the plastic or rubber parts must be separated from the electrical material



The parts made entirely from plastic, aluminum and steel may be recycled if accepted by the appropriate centers.





## 1.10 Guarantee

Depureco guarantees this vacuum cleaner model for a period of 12 months from the date of purchase as indicated on the sales document at the time of vacuum cleaner delivery by the retailer.

The guarantee is void if, during the guarantee period, the vacuum cleaner is repaired by unauthorized persons, if it is used with tools or accessories not furnished by Depureco (or which they have not recommended or approved) or if the serial number is found to have been removed or altered.

Depureco will be responsible for repairing or substituting free of charge any parts found, during the guarantee period, to be manufacturing defects. Repairs must be performed only at the Depureco site or in a Depureco-approved center for technical assistance and must arrive in free port (with transportation at the user's expense unless agreed otherwise).

The guarantee does not cover eventual cleaning of the functioning parts. Imperfections not clearly the result of faulty materials or manufacturing defects will be examined only at one of Depureco's sites or in a Depureco-approved technical assistance center. If the claim proves to be unjustified, all of the repair expenses and/or part replacements will be charged to the customer.

The sales receipt must be shown to the technician who performs the repair, or must accompany the vacuum cleaner if it has been sent for repair.

The following items are excluded from the guarantee: accidental damage due to transport, negligence or inadequate treatment, incorrect use or failure to adhere to the cautions found in the instruction booklet and events independent of normal vacuum cleaner operation.

Depureco declines any responsibility for damage to persons or things caused by improper or incorrect usage or the vacuum cleaner.

In the event of any controversy the Court of Turin shall have exclusive jurisdiction.



Protect your purchases by joining the exclusive "warranty plus" program  
Go to [www.depureco.com](http://www.depureco.com) , fill in the form to extend the warranty up to 24 months.





## 2. SAFETY SECTION

### 2.1 Safety information



According to the law 626/94, the safety supervisor must inform workers of the risks involved with using the vacuum cleaner.

There is also the obligation to provide the workers with sufficient training so that they may be able to avoid injury to themselves and others.

Failure to comply with the norms or basic safety precautions may cause accidents during operation, maintenance and repair of the vacuum cleaner. Often an accident may be prevented by recognizing a potentially dangerous situation before it happens. The worker must be alert to potential hazards and have the necessary training, competence and tools in order to perform these tasks correctly.

Depureco may in no way be held responsible for accidents or damage as a result of vacuum cleaner use by insufficiently trained personnel, incorrect use or failure to observe, even partially, the safety norms and adjustment procedures outlined in this manual.

The safety precautions and warnings are shown in this manual and on the product itself.

if the worker does not pay attention to these hazard warnings, there could be accidents with serious consequences for both himself and others.

The safety messages are denoted by the following symbols:



-----  
**Warning!**

**These messages, if unheeded, may cause injury to the worker.**  
-----



-----  
**Warning!**

**These messages, if unheeded, may cause damage to the vacuum cleaner.**  
-----

Depureco can not foresee every conceivable situation in which there may be a potential hazard.

The warnings in this publication and on the product are not all inclusive.

In the event that instruments, procedures, work methods or technicians not specifically recommended by Depureco are employed, it is necessary to ensure that there is no danger for oneself or others.



---

## 2.2 Safety measures



-----

**Warning!**

**The following information cannot completely cover all possible hazards incurred during vacuum cleaner operation; common sense and the worker's experience (indispensable ingredients for accident prevention) must be integrated as well. Each section lists ulterior safety measures specific for the various functions.**

-----



-----

**Warning!**

**All maintenance interventions must be performed with the power supply plug removed from the socket.**

-----

- The employer must instruct and train the user according to the terms of the relevant regulatory laws.
- If an adjustment or unforeseen intervention is necessary, following a procedure different from that outlined in the manual, consult Depureco prior to beginning.
- In the event that the client installs an accessory not furnished by Depureco to the vacuum cleaner, it is necessary to check that the current EEC machine safety directive is observed. In any case, Depureco will not assume responsibility for any negative consequences due to use of such parts.
- The vacuum cleaner must not be used in a corrosive or explosive environment.
- Keep the vacuum cleaner free from external elements such as wastes, oil, tools and other objects that could damage its function and cause personal injury.
- Avoid use of toxic or inflammable solvents such as gasoline, benzene, ether and alcohol for cleaning.
- Avoid prolonged contact or inhalation with solvents and their vapors. Avoid using near open flames or heat sources; ensure adequate ventilation.



- 
- Never use the vacuum cleaner without the filter.
  - Do not vacuum lit cigarette butts. It could ignite the filter.
  - Do not breathe petroleum products or inflammable liquids in general.
  - Ensure that all protection equipment and guards are in place and that all safety devices are present and operating.
  - Do not use the vacuum cleaner on non-level or inclined surfaces.
  - Do not wear loose or flowing apparel such as ties, scarves or torn clothing that could become hung or caught up by the vacuum cleaner.
  - Never remove the cover while the vacuum cleaner is working.
  - Never move the vacuum cleaner by pulling it by the electrical supply cord.
  - The manual must always be nearby, so that it may be consulted to check correct cycle use anytime there is a doubt.  
If this manual is lost or damaged, a substitute copy must be requested from Depureco.
  - Structural damage, modifications, alterations or unauthorized repairs may compromise the protection capability of the vacuum cleaner thereby rendering this certification null and void.  
Modifications must be performed only by Depureco technicians.
  - During maintenance interventions a sign must be placed on the vacuum cleaner stating "Machine in maintenance. Do not use".
  - It is forbidden to climb on the vacuum cleaner.
  - Do not touch electrical wires, switches, buttons, etc. with wet hands.
  - Before connecting to the electrical power current ensure that the voltage and supply frequency are those indicated on the machine's plate.
  - Connect the electrical supply to an adequately grounded line.
  - Periodically check the condition of the power supply cord. If the cord shows signs of usage it will be necessary to replace it immediately. This task must only be performed by an electrical technician.
  - If an extension cord is used, make sure that it is in perfect condition, is EEC marked and the cable diameter is adequate for the electrical power consumption of the vacuum cleaner.
  - During clean-up after use the employees in charge must check that the vacuum cleaner has been returned to its usual safe working condition, particularly with regard to the safety devices and protection guards pertinent to use.
  - Use of the vacuum cleaner is restricted to adults.





## 2.3 Safety plates and symbols

Plates showing safety symbols and warnings are applied to both the vacuum cleaner and packaging materials. These pages show their exact attachment location and the type of hazard involved.



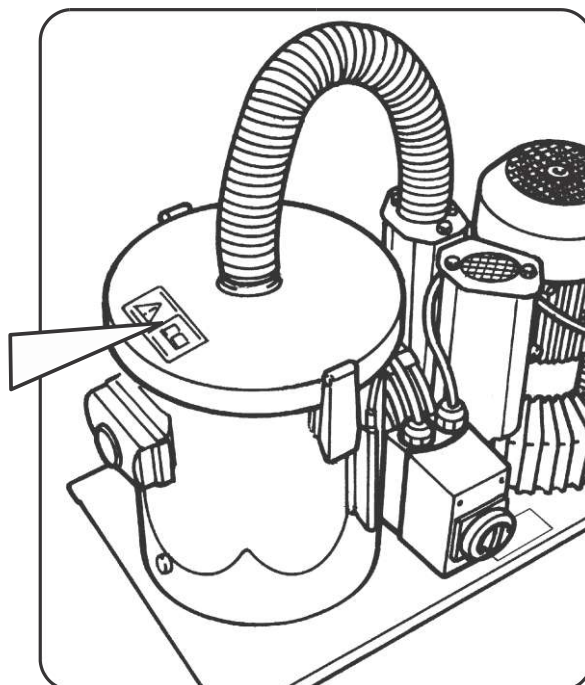
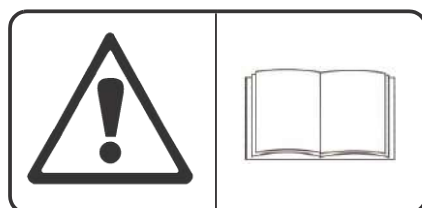
### **Warning!**

Ensure that all safety plates are legible. Clean them using a cloth, water and soap.

Do not use solvents, naphtha or gasoline.

Replace damaged plates, requesting them from Depureco.

If a plate is located on a part that is to be replaced, ensure that a new plate is attached to the new part.



### **Warning!**

Carefully read the operation and maintenance manual before using or repairing the vacuum cleaner.



### **Warning!**

Carefully read the instructions on the packing before handling and unpacking the vacuum cleaner.



## 2.4 Residual risks

A careful analysis of risks, performed by the manufacturer and filed in the technical section, has made it possible to eliminate most of the risks involved in using the vacuum cleaner.

The manufacturer recommends scrupulous adherence to the instructions, procedures and recommendations contained in this manual as well as to current safety norms, including use of protection devices for both the vacuum cleaner and the worker.

The residual risks present on the vacuum cleaner may be:

Electrical risks during maintenance due to the necessity of working under live voltage.

In accordance with current directive working under live voltage is allowed only by adequately trained personnel and in the presence of double ground insulation.

Risks associated with incorrect use in the presence of inflammable substances. The vacuum cleaner must never be used in an environment containing liquids that might vaporize at room temperature or inflammable dust and gas.

Risks associated with operation in a humid environment.

Respect the limits listed in section 1.5 of this manual regarding approved environmental conditions.

Crushing hazard to the upper limbs during the insertion and locking phase of the vacuum cleaner's waste container.

A safety illustration showing this risk is on the vacuum cleaner.

This risk may be avoided by locking the container using the special lever with both hands.

Refer to "section 2.3" for the exact meaning of the safety plates.

Risk of incorrect interpretation of the safety illustrations

In the course of identifying risks, the manufacturing company has installed safety plates (in accordance with relative norms) beside the graphic symbols.

The user is responsible for immediately replacing the safety plates should they become illegible or damaged.



### **Warning!**

**It is absolutely forbidden to remove the safety plates present on the vacuum cleaner and on the packaging material.**

**The manufacturing company declines all responsibility for vacuum cleaner safety**

**in the event this prohibition is unheeded.**

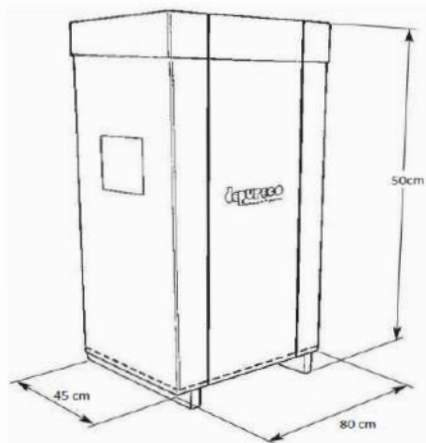
## 2.5 Applied directives

See CE compliance declaration at page 2.

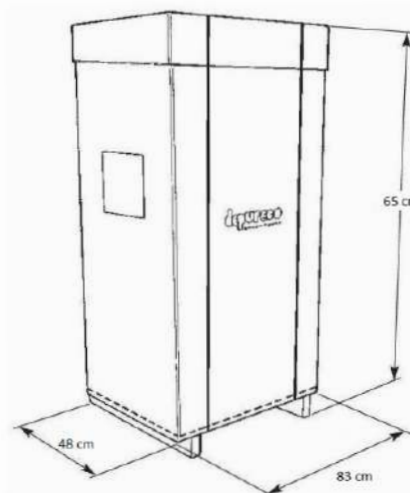


### 3. HANDLING, UNPACKING AND INSTALLATION SECTION .

#### 3.1 Removal



UPF 085  
UPF 150  
UPF 220



UPF 160 HC

Dimensions of packed vacuum cleaner

**UPF 040 Kg 23**

**UPF 085 Kg 28**

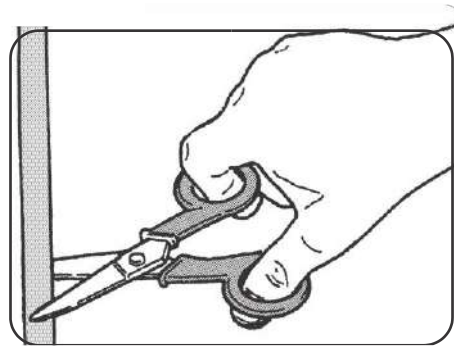
**UPF 150 Kg 36**

**UPF 220 Kg 40**

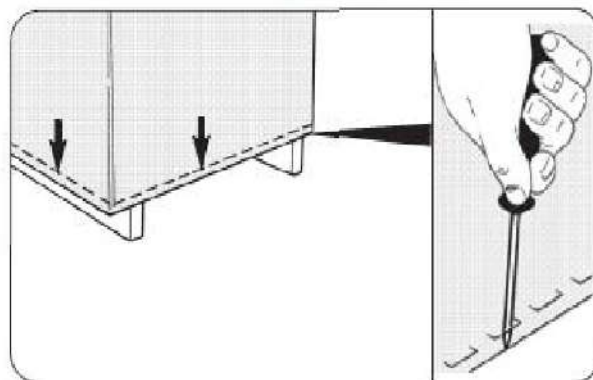
Lifting and subsequent removal of the vacuum cleaner must be performed using a fork-lift with sufficient load capacity.



### 3.2 Unpacking



- Cut and remove the two fastening straps from the case.



- Using a screwdriver, remove the points that fix the cardboard case to the pallet.
- Completely remove the case.

### 3.3 Installation



**Before proceeding to installation of the vacuum cleaner it is necessary to carefully make a preliminary visual check for possible transport damage.**

Should one or more of the components appear damaged do not proceed with the installation procedure but report the defect to the manufacturing company and discuss appropriate action with them.

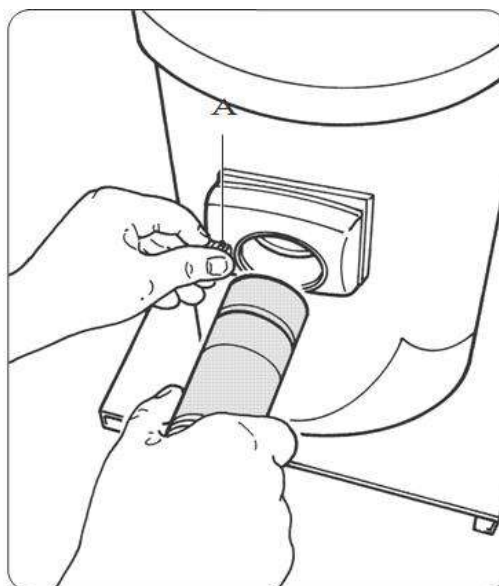
The vacuum cleaner is already fitted with a suction filter for holding any solid elements present in the liquid vacuumed up.

For suction of liquids, it has to be equipped with a float valve to turn off suction when the container is half-full.

For more information, please contact our Customer Service Dept.

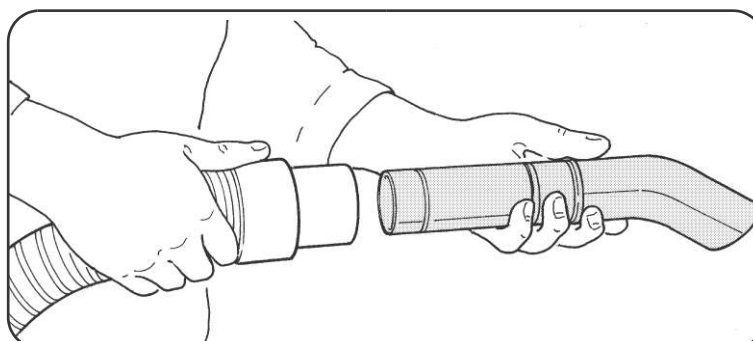
- Lift knob (A) and insert the flexible tube with end-piece into the suction mouth piece by releasing the knob.





Attach the appropriate accessory onto the other end of the flexible tube.

*Note:* the flexible tube with its various endings and the vacuum accessories are not included in the STANDARD equipment.



Contact your retailer for information regarding the variety of OPTIONAL accessories available for use with this particular model of vacuum cleaner.

Check that the electrical supply line corresponds to the voltage and frequency shown on the vacuum cleaner's identification plate.

C.so Europa, 609 - Volpiano (TO) 10088 - ITALY Tel. +39 011. 98. 59. 117 - Fax. +39 011. 98. 59. 326 MADE IN ITALY				
DEPURECO S.r.l				
Mod.		Volt.		
Serial N.	kW	Amp.	Hz.	
Dust Class	IP	Kg.	Year	



---

The vacuum cleaner's electrical current supply socket must be protected by a circuit breaker.

Fit a CEE standard plug to the electrical cable of the vacuum cleaner and plug it into a mains socket.

This task must only be performed by an electrical technician.



-----  
**Do not insert the plug into the current supply socket with wet hands.**  
-----

If an extension cord is used, make certain it is in perfect condition, meets EEC norms and has a cable diameter adequate to meet the vacuum cleaner's power consumption.



-----  
**Warning**

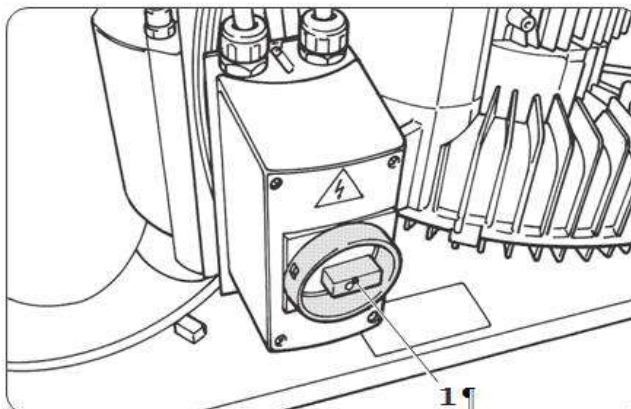
**Use of the vacuum cleaner by unauthorized personnel (or those who have not read the operation and maintenance manual) is forbidden.**

**Workers and personnel authorized for performing maintenance procedures to the vacuum cleaner must receive adequate instruction on the use of individual safety devices (such as shoes, gloves and masks) to eliminate any risks involved in performing the various operations.**  
-----



## 4. OPERATION SECTIONS

### 4.1 Description of controls



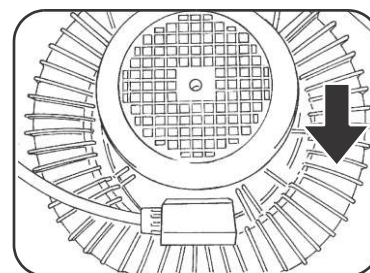
1 General ON-OFF switch

### 4.2 Work cycle



- **Before inserting the plug check that the electrical supply line voltage corresponds to that indicated on the EEC marked plate.**

- Check that the power supply plug is correctly inserted in the socket.
- Check that the flexible tube is correctly inserted and locked into the suction mouthpiece.
- Check that the waste collection container is properly inserted and locked on the vacuum cleaner.
- Check that the power supply cable and extension cord (if used) are intact and in perfect working order.
- Attach the chosen vacuum accessory to the end of the flexible tube.
- Turn the main switch (1) to the “I” position and start vacuuming.
- If, after having switched on the machine, the flexible suction tube starts to blow instead of extracting, turn the main switch to the “0” position (to switch off the machine) and invert the two phase cables in the mains plug.



#### **Warning!**

**Before turning the machine on again, make sure that the pump has stopped completely.**

- When the operation is completed remove the vacuum cleaner's cord from mains.



**Warning!**  
Avoid bending the flexible tube or rolling it around itself during use.



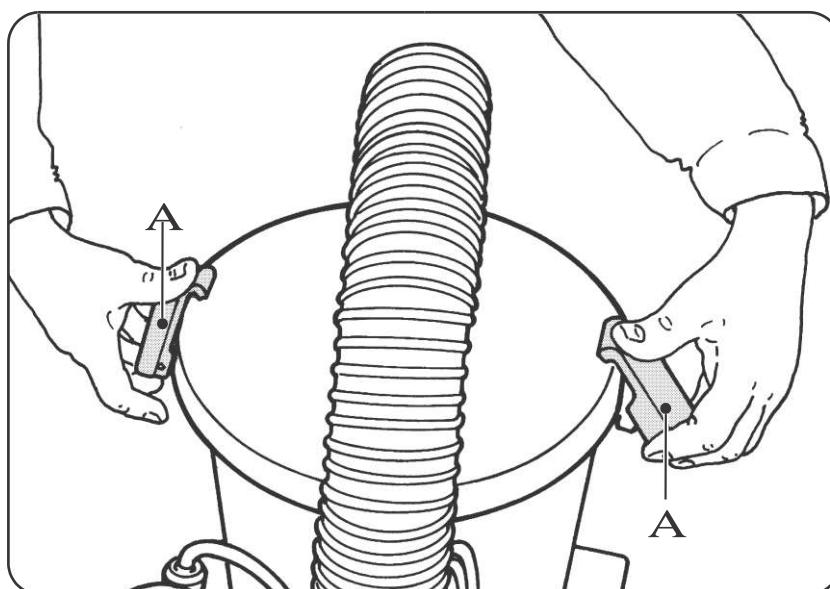
**Warning!**  
NEVER use the machine when the filter is clogged!

### 4.3 Emptying the waste container

Check the inside of the waste container frequently to prevent excess filling, based on the quantity and type of material cleaned.

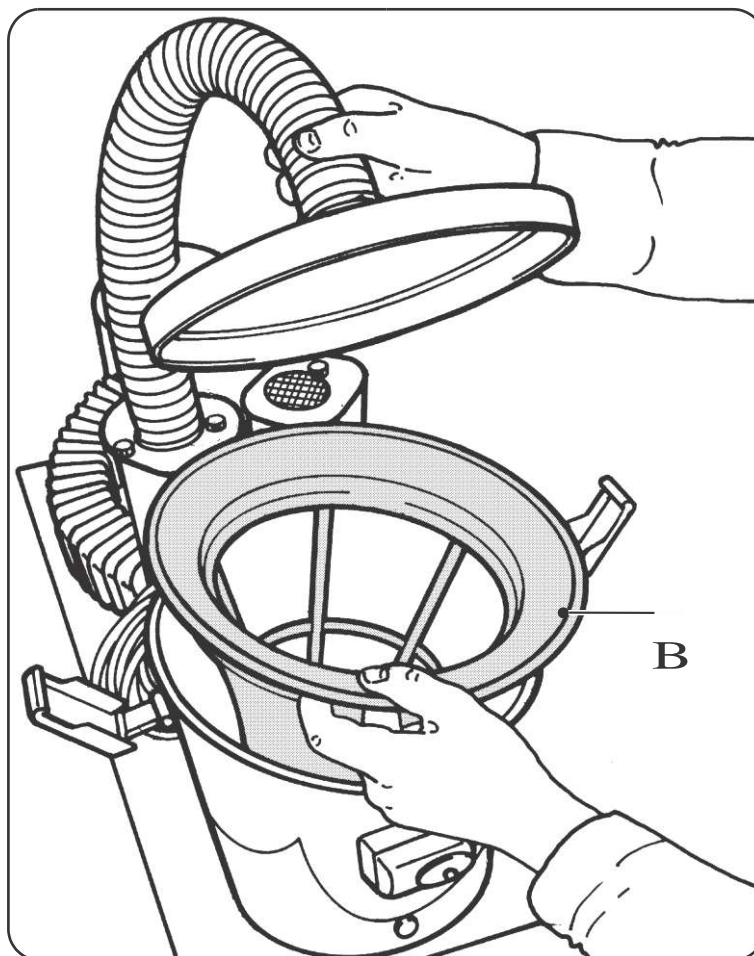
The container must be emptied as described:

- Turn off the vacuum cleaner by turning the main switch to “0”.
- Loosen the two side clamps (A).

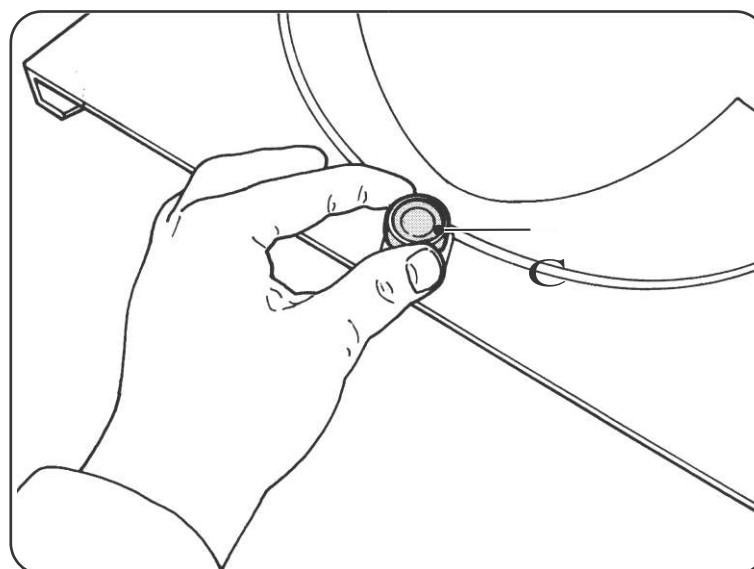




- Remove the filter (B).

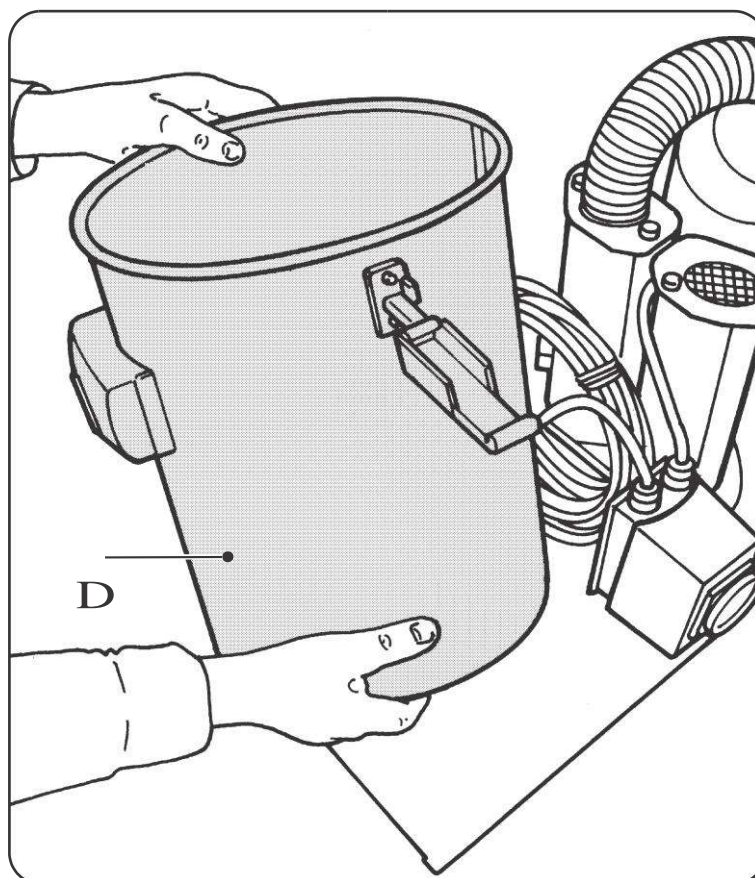


- Unscrew and remove the knob (C).





- Remove the container (D) with extracted waste.



- Empty the waste from the container into another container approved for waste disposal under the laws of the country in which the vacuum cleaner is used.



**Warning!**

**During this procedure, it is advisable to wear a face mask to protect against dust.**



### **Warning!**

**Heavy maintenance to the vacuum cleaner must be performed exclusively by the manufacturer's technicians.**

### 5.1 Informative notes

This section contains the description of ordinary maintenance and controls indispensable for guaranteeing continued performance of the vacuum cleaner.

Any other intervention deemed necessary for repairs or performance defects must be expressly authorized by the manufacturer.

Always furnish the identification data of the vacuum cleaner when communicating with the manufacturer.

Consultation with the authorized retailer is recommended for important repairs. Their specialized personnel, having all of the necessary technological experience in the machine's authentic manufacturing, are always available and ready for quick intervention.

### 5.2 General safety norms

Maintenance work for this machine must be performed by technicians specialized and trained in the following sectors:

- Mechanical maintenance
- Electrical maintenance

It is the specific duty of the safety supervisor to ensure the reliability and competence of these employees.

Before beginning a maintenance procedure, the safety supervisor must:

- Have the work area cleared of outsiders.
- Ensure that the necessary tools are available to the maintenance employee and are in good condition.
- Ensure that there is sufficient illumination and, if necessary, provide portable 24 volt lamps.
- Ensure that the maintenance employee has the authentic, individual protection devices necessary for the particular procedure (gloves, eye-glasses, shoes, etc.).
- Ensure that the maintenance employee has carefully read the instructions







contained in this manual and is thoroughly familiar with the vacuum cleaner's operation.

Before beginning a maintenance procedure, the employee must:

- Disconnect the electrical supply and lock the vacuum cleaner's safety device.



**Warning!**

**If it is absolutely necessary to work with the power supply connected, the maintenance employee must keep a safe distance and have a stop button handy.**

At the end of the procedure and before returning to use, the maintenance employee must check that the safety guards are functioning correctly and the protection devices are integral.

Work on the motors or electrical components must be performed only by electrical maintenance employees who have been specifically trained and authorized by the security supervisor.



**Warning!**

**After each maintenance job, the security supervisor must check the safety condition of the machine and its protection guards.**

Maximum reliability and minimum maintenance cost are the result of a maintenance program and planned inspections scrupulously followed through-out the entire duration of the vacuum cleaner.

Scrupulously adhere to the established maintenance intervals and program interventions as needed in relation to the vacuum cleaner's productive cycle.

Always use tools in perfect condition and specifically made for the procedure to be performed. The use of inappropriate and inefficient tools may cause serious damage.



**Warning!**

All of the described procedures must be performed with the plug disconnected from the socket.

Before beginning any cleaning or maintenance procedure put on appropriate protective clothing, eye-glasses and/or gloves according to the type of work to be done.

Before beginning any maintenance procedure on the vacuum cleaner display a sign stating:

**MACCHINE IN MAINTENANCE  
DO NOT INSERT POWER SUPPLY CURRENT**

Before returning to service, recheck the entire system in accordance with the starting procedure.

After each maintenance procedure run a few test cycles to check the correct operation of the machine.

Failure to observe these precautions may cause serious injury to personnel.

Before each work shift

- Check that the supply cable, the plug and the extension cord (if used) are not damaged.
- Check that the safety illustrations attached to the vacuum cleaner are intact.
- Check that the waste container is empty and correctly locked in the vacuum cleaner.
- Check filter efficiency by means of the vacuum gauge.
- Check that the flexible suction tube and accessories are in good condition.



**Warning!**

The flexible tube, if perforated, reduces the suction/blowing power and releases liquid into the surrounding environment.



### 5.3 Troubleshooting

DEFECT FOUND	POSSIBLE CAUSE	RECOMMENDED COURSE OF ACTION
Vacuum cleaner will not start	- Lack of current	- Check the voltage in the socket - Check the condition of the plug and power supply cable - Contact Depureco's technical assistance
Dust escapes from the vacuum cleaner	- Perforated filter	- Replace the filter
	- Filter not suitable for type of suction	- Fit the proper filter for the type of dust to be cleaned
Motors are very noisy	- Pump broken	- Contact Depureco's technical assistance



## MAINTENANCE INTERVENTION CHART

[Redacted]

TECHNICAL ASSISTANCE Date

TECHNICAL ASSISTANCE

*signature*

[Redacted]

TECHNICAL ASSISTANCE Date

TECHNICAL ASSISTANCE



## MAINTENANCE INTERVENTION CHART

--	--

<i>TECHNICAL ASSISTANCE</i>	Date
-----------------------------	------

<i>TECHNICAL ASSISTANCE</i>	
-----------------------------	--

	<i>signature</i>
--	------------------

--	--

<i>TECHNICAL ASSISTANCE</i>	Date
-----------------------------	------

<i>TECHNICAL ASSISTANCE</i>	
-----------------------------	--