

INSTRUCTION AND MAINTENANCE MANUAL

DV AIR 800 SERIES

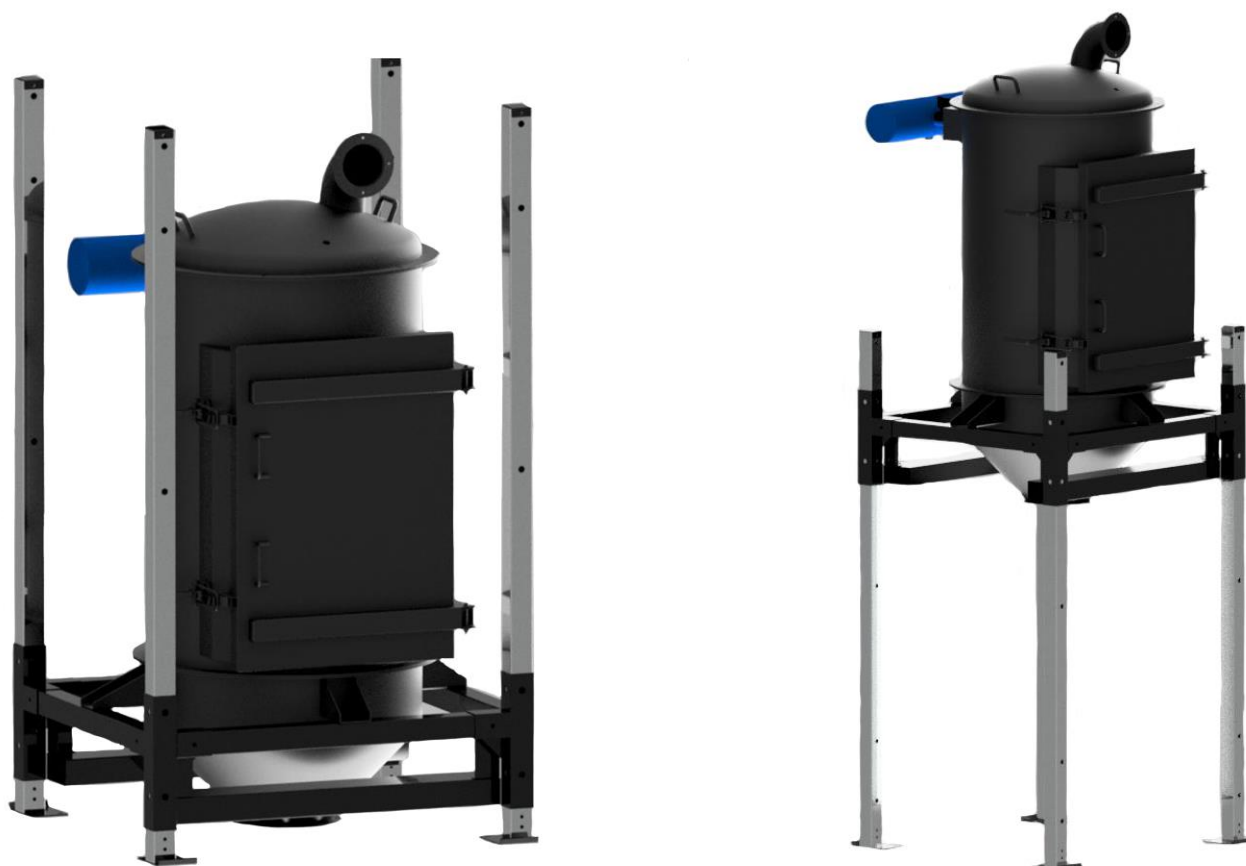




TABLE OF CONTENTS:

1. INFORMATIVE SECTION

1.1	Foreword.....	4
1.2	Main parts.....	7
1.3	Optional parts.....	8
1.4	Manufacturer's identification data	8
1.5	Identification plate.....	8
1.6	Permitted Uses.....	8
1.7	Authorised environmental conditions.....	9
1.8	Noise level	9
1.9	Technical data	10
1.10	Warranty	11

2. SAFETY SECTION

2.1	Safety Information	12
2.2	Safety recommendations.....	13
2.3	Safety plates and symbols.....	15
2.4	Residual risks	16
2.5	Applied Directives	16

3. HANDLING, UNPACKING AND INSTALLATION

3.1	Handling.....	17
3.2	Connecting to the pneumatic supply.....	20

4. OPERATION SECTION

4.1	Description of the controls	20
4.2	Operating cycle.....	21
4.3	Storage – Decommissioning	22

5. MAINTENANCE SECTION

5.1	Informative notes	23
5.2	General safety regulations.....	24
5.3	Replacing the filter	26
5.4	Troubleshooting.....	28
5.5	Scrapping	29



1. INFORMATIVE SECTION



This manual forms an integral part of the vacuum cleaner. Read this manual and the other attachments supplied carefully. Knowledge of the instructions here contained is indispensable for the safe use and maintenance of the vacuum cleaner

IMPORTANT - The DEPURECO term and logo in this document refer to and are the property of **DEPURECO INDUSTRIAL VACUUMS S.r.l.**

This document remains the exclusive property of DEPURECO S.r.l. Full or partial reproduction by any means (graphical, electronic, etc.) is prohibited without prior authorisation from the Company Management.

1.1 Foreword

Dear Customer

Thank you for having chosen DEPURECO; we hope you will enjoy using your new DEPURECO HF series vacuum cleaner. This manual has been drafted in order for our customer to fully appreciate the quality of this machine. Please read all sections before using the machine for the first time.

It includes information, recommendations and important warnings concerning the use of the vacuum, which will help fully exploit the technical properties of your machine.

Read messages, warnings and indications preceded by the following symbols carefully:



For the safety of people



For the integrity of the vacuum cleaner



For the safeguard of the environment



This manual describes the following models:

DV AIR 800

The vacuum cleaner is equipped with the following filters:

□ FILTER CARTRIDGE (P12478)

The filter configuration could vary depending on the versions and/or specific requests of the client

The vacuums are classified according to the following dust classes:

L

Low risk – suitable to separate dust with an exposure limit value of $> 1 \text{ mg/m}^3$ on the basis of the occupied volume

M

Medium risk - suitable to separate dust with an exposure limit value of $> 0,1 \text{ mg/m}^3$ on the basis of the occupied volume

H

High risk – suitable to separate all dusts with all exposure limit values on the basis of the occupied volume, including cancer genic and pathogenic dusts.

This manual provides all the necessary information for the use and maintenance of the vacuum cleaner.

This specific model has undergone strict testing to ensure maximum reliability. Its operation and durability will depend on proper use and maintenance.

This manual is an integral part of the vacuum cleaner and must accompany it at all times, until its demolition.

In the event it is lost or damaged, you can request another copy from DEPURECO INDUSTRIAL VACUUMS S.r.l. (henceforth shortened to DEPURECO).

The technical information contained in this manual is exclusive property of DEPURECO and must be considered confidential.

Reproduction, even partial, of graphics, text and illustrations is prohibited by law.

Some details shown in the figures in this manual may differ from those on your vacuum; this is because some components may have been removed to ensure maximum illustration clarity.

This manual has been divided into sections for easy consultation and each section has been identified by a specific graphical symbol.



The topics covered in this manual are those expressly required by Machinery Directive 2006/42/EC and the technical data are taken from the technical file archived at DEPURECO.

With reference to Regulation 1907/2006/EC (REACH), DEPURECO hereby declares that no Substances of *Very High Concern* - (SVHC) included in the Candidate List, are contained in its products.

This manual should be kept in a place accessible to all personnel in charge with operating and performing maintenance on the vacuum cleaner.

In the event of any dispute arising, the Court of Turin (Italy) shall have jurisdiction

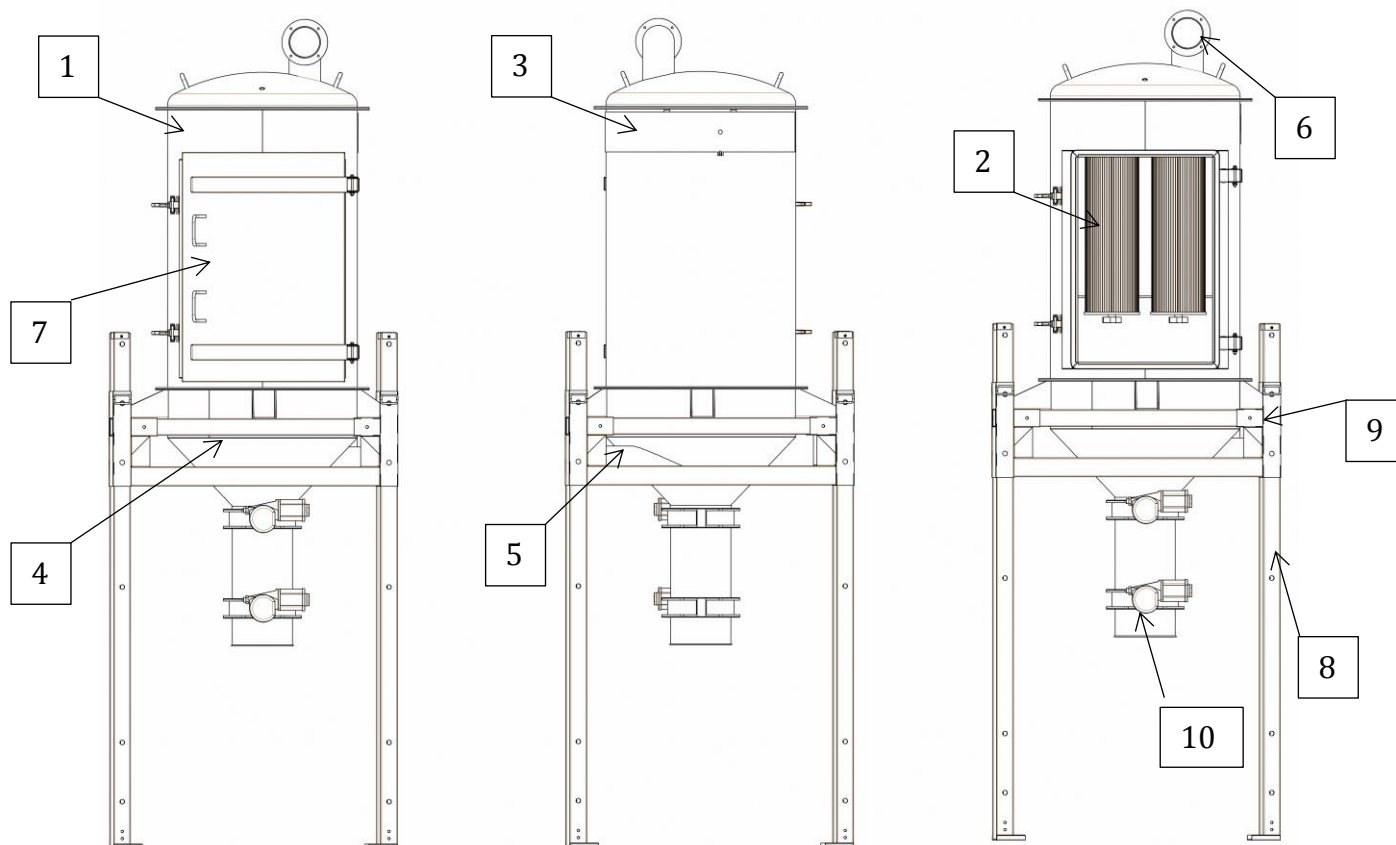


This manual forms an integral part of the vacuum cleaner. Read this manual and the other attachments supplied carefully. Knowledge of the instructions here contained is indispensable for the safe use and maintenance of the vacuum cleaner



1.2 Main parts

DV AIR 800



1. Camera filtrante
2. Cartucce filtranti classe M
3. Serbatoio d'aria del sistema di pulizia in C.C.A.
4. Ciclone
5. Bocchettone tangenziale di aspirazione
6. Bocchettone fuoriuscita aria filtrata
7. Portellone di manutenzione
8. Montanti per lo scorrimento del telaio
9. Telaio scorrevole ad altezza regolabile
10. Sistema di scarico in continuo



1.3 Optional parts

A wide range of optional accessories is available from DEPURECO depending on the intended use of the vacuum.

1.4 Manufacturer's identification data

DEPURECO INDUSTRIAL VACUUMS S.r.l.

Corso Europa 609 - 10088 Volpiano (TO) - ITALY

phone +39 011 98 59 117 - fax +39 011 98 59 326 | VAT NO. 02258610357

e-mail: depureco@depureco.com - website: www.depureco.com

1.5 Identification plate

The data on the vacuum identification plate must be referred to in any correspondence with the manufacturer or the dealer.

DEPURECO		Corso Europa 609 10088 VOLPIANO Tel. 011/98.59.117 Fax 011/98.59.326 MADE IN ITALY	
Model		Serial No.	
Dust class		kg	Year
		CE	
		ATEX	

1.6 Permitted Uses

These vacuum cleaners are designed and built according to the 2006/42/CE (Machine Directive) for an exclusive professional industrial use; either way, for any non-domestic use,

This vacuum cleaner is suitable for the cleaning and the collection of solid materials, only in covered areas.

The vacuum cleaner was conceived to be used by only one operator.

In accordance with the Directive 1999/92/EC, whenever in the presence of combustible dust and/or flammable gas, it's the responsibility of the employer to carry out the classification of the Zone and to choose a device in the appropriate category (According to the definition given in the 2014/34/EU Directive).

Any other use is considered **IMPROPER**.



1.7 Authorised environmental conditions

To ensure the correct operation, the vacuum cleaner must be kept away from atmospheric agents (rain, hail, snow, fog, dust in suspension, etc.) in an area with a room temperature range between 0° and 40°C and a relative humidity no higher than 70%.
The work environment must be clean and suitably lit.

1.8 Noise level

The phonometric tests performed on this specific vacuum cleaner model demonstrate a sound pressure level of

DV AIR 800

74 dB(A)



WARNING!

Workers exposed to sound pressure levels higher than 85 dB(A) must be protected by suitable personal protection device (PPE) such as certified ear muffs.



Under these conditions, workers must be provided with adequate training and information on risks arising from exposure to noise.



1.9 Technical data

	U.M.	DV AIR 800
Dimensions of the vacuum with the frame opened		2175x1185x1195
Dimensions of the vacuum with the frame closed		3500x1185x1195
Inlet Diameter	Ø mm	123
Maximum vacuum	[mBar]	310
Vacuum in continuous	[mBar]	270
Maximum air flow	[m ³ /h]	420
M Filter surface	[m ²]	34
Cartridges*	[N° l mm]	4 240x700
Noise level	[dB-A]	74
Discharge	Ø mm	250
S.P. system valve	N°	2x1"
Air tank volume	Lt.	16

(*) Cartridges are suitable for fine dust and granules



1.10 Warranty

DEPURECO guarantees this model of vacuum cleaner for a period of 24 months from the date of purchase, indicated on the receipt at the time of delivery of the product.

The guarantee is null and void in the event that the vacuum is repaired by unauthorised third parties or by using equipment, accessories or components not supplied or not authorised by DEPURECO, or if the serial number is removed (during the guarantee period).

For the duration of the guarantee, DEPURECO undertakes to repair or replace free of charge parts and components which prove to have manufacturing defects.

Repairs will be exclusively executed at a DEPURECO site or in a DEPURECO approved Assistance Centre and the machine must be sent free of charge (freight cost at user's charge unless otherwise agreed).

The guarantee does not cover cleaning of working parts.

The purchase invoice must be shown to the authorised technical personnel carrying out the repair and must accompany the vacuum during its shipment.

Defects that are not evidently due to materials or manufacturing will be examined solely at our premises or at a Technical Service Centre of our choosing.

Should the complaint be unjustified, all repair and/or replacement expenses shall be charged to the purchaser.

In any case, the following items are not covered by the guarantee: accidental damage due to transport, negligence, abnormal use, improper use, non-compliance with the instructions contained in this booklet or arising from phenomena that do not depend on normal use/operation of the vacuum.

DEPURECO shall not be held liable for any injuries to persons or damage to objects caused by misuse or improper use of the vacuum.

In the event of any dispute arising, the Court of Turin (Italy) shall have jurisdiction.



To use the warranty, visit www.depureco.com or photocopy the form available on the last page of this manual, fill it in all its parts (in capital letters would be recommended), and send it via fax to Depureco at the number + **39 011 98 59 117**



**In the event of doubts, avoid interpreting the information!
Call your reseller immediately!**



2. SAFETY SECTION

2.1 Safety Information



As per Italian Legislative Decree 81/08 and subsequent modifications, the Safety Manager must train and inform workers about the risks involved with using the vacuum cleaner so that they may be able to avoid injury to themselves and others.

The use of device by people (including children) with limited physical and mental capacities or lacking in experience and knowledge is strictly forbidden, unless they are supervised by a person who is experienced in the use and safe handling of the device.

Children must be supervised to make sure they will not play with the device.

Failure to comply norms, laws or basic safety precautions, may cause accidents during operation, maintenance and repair of the vacuum cleaner. Accidents can frequently be avoided by recognising potentially hazardous situations before they occur. Adequate training is crucial to this end.

DEPURECO shall not be held liable for accidents or damage due to the improper use of the vacuum by untrained personnel or to failure to comply, even partially, with the occupational safety standards and intervention procedures contained in this manual.

Safety warnings and precautions are indicated in this manual as well as on the product itself. Operators must pay special attention to these hazard warnings to prevent accidents with serious consequences for themselves and other people.

DEPURECO designs and manufactures its equipment and accessories with care, identifying and compensating possible risks related to their use. In the event of equipment, procedures, work methods or techniques not expressly provided for by DEPURECO being used, it is crucial to ensure beforehand that there are no dangers for oneself and the others. Nevertheless, DEPURECO shall not be held liable.



Use exclusively Depureco original spare parts.

Depureco disclaims any liability in case spare parts other than original have been used.



2.2 Safety recommendations



WARNING!

The following information is essential in view of preventing all hazards that may occur while the vacuum cleaner is running. However, they cannot replace the expertise and common sense of operators as an overall framework for the prevention of accidents.

Structural damage, alterations or improper repairs can modify the protective capacity of the vacuum, thereby nullifying this certification and releasing DEPURECO from any liability.

Each section lists further safety measures specific to the various functions.

WARNING!

Setting to work – connection to the power supply

- Make sure there is no evident sign of damage to the vacuum cleaner before starting work.
- Before plugging the vacuum cleaner into the electrical mains, make sure the voltage rating indicated on the data plate corresponds to that of the electrical mains.
- Plug the vacuum cleaner into a socket with a correctly installed ground contact/connection. Make sure that the vacuum cleaner is turned off.
- The plugs and connectors of the connection cables must be protected against splashes of water.
- Check that the vacuum cleaner is properly connected to the electrical mains.
- Use the vacuum cleaner only when the cables that connect to the electrical mains are in perfect condition (damaged cables could lead to electric shocks!).
- Regularly check there are no signs of damage, excessive wear, cracks or ageing on the electric cable.

WARNING!

When the vacuum cleaner is operating, do not:

- Crush, pull, damage or tread on the cable that connects to the electrical mains.
- Only disconnect the cable from the electrical mains by removing the plug (do not pull the cable).
- Only replace the electric power cable with one of the same type as the original: H07 RN - F. The same rule applies if an extension is used.
- The cable must be replaced by the manufacturer's Service Centre staff or by equivalent qualified personnel.



CAUTION!

It is absolutely forbidden;

- For underage and non-trained people to use this vacuum cleaner.
- To connect the vacuum cleaner to mains without suitable earthing.
- To operate the vacuum cleaner outdoors in the presence of atmospheric precipitations.
- To operate the vacuum cleaner without locking the swivelling wheel through the special brake located on it.
- To operate the vacuum cleaner on uneven ground or in non-horizontal positions.
- To operate the vacuum cleaner in corrosive environments.
- To operate the vacuum cleaner in working environments not classified according to the directions given on the device's plate.
- To vacuum the following materials:
 1. Flaming materials (embers, hot ashes, lit cigarettes etc...)
 2. Open flames
 3. Combustible gases
 4. Flammable, combustible or aggressive liquids (gasoline, solvents, acids, alkaline solutions etc...)
 5. Dusts/Substances and/or spontaneously combusting explosive mixtures of them (magnesium or aluminium dusts etc...)
- To tamper with or modify the return valve set up by the manufacturer
- The use of the JETCLEAN system in the presence of potentially explosive clouds in the atmosphere.
- To carry out maintenance on the vacuum cleaner in ATEX classified areas
- To carry out maintenance on the vacuum cleaner without first having switched the device off and disconnected the plug from the socket.
- To keep foreign materials such as debris, oil, tools or other objects in the bin which could disrupt the functioning and cause harm to people.
- To use flammable or toxic solvents such as gasoline, benzene, ether or alcohol for cleaning.
- To operate the vacuum cleaner without the filtering unit provided for by the manufacturer.
- To operate the vacuum cleaner without safety devices.
- To wear loose or flowing apparel such as ties, scarves, or torn clothing that could get caught on the vacuum cleaner or vacuumed by the device.
- To open the waste bin while the vacuum cleaner is working.
- To open the waste bin in an area which has been classified potentially explosive.
- To use extension leads, plug-in connection devices and adapters.
- To climb on the vacuum cleaner.



- To touch electrical wires, switches, buttons, etc. with wet hands.
- To touch some components which could reach high temperatures (such as the motor's terminal box and the motor housing in particular) while operating the vacuum cleaner.



WARNING!

This vacuum cleaner could contain dust that may be hazardous to your health. The emptying out and maintenance procedures, including removing the dust containers, must be carried out exclusively by specialized personnel wearing suitable safety clothing. Never switch the machine on in the absence of a complete filtering system.

2.3 Safety plates and symbols

Plates with safety symbols and/or messages are applied to the vacuum and its packaging. These pages show their precise location and the nature of the hazard.



Warning!

Ensure that all safety messages are perfectly legible. Clean them using a cloth with water and soap. Do not use solvents, naphtha or petrol. Request replacements for damaged plates from **DEPURECO**. If a plate is located on a component that is being replaced, make sure to fit the old plate to the new component.



Warning!

Crushing hazard for the upper limbs if inserted inside the discharge valves while the machine is in operation. Keep **BOTH HANDS** away from the valves when the vacuum cleaner is functioning.

Warning!

Read carefully this use and maintenance manual before using the vacuum cleaner or carrying out maintenance operations on it



Read carefully the instructions on the packaging before handling the vacuum cleaner



2.4 Residual risks

DEPURECO recommends complying with the instructions, procedures and recommendations in this manual and with the safety standards in force. DEPURECO also recommends using suitable personal protective equipment as well as the protection devices integrated in the vacuum.

The residual risks analysed on the vacuum and/or its components could be:

Electrical risks during maintenance due to the requirement to work on live parts

Pursuant to Italian Legislative Decree 81/08 – articles 80 to 87 – it is prohibited to operate on live parts, notwithstanding the exceptions set forth by said Legislative Decree.

Risks associated with incorrect use in presence of explosive and inflammable liquid substances

The vacuum must not be used in environments containing liquid substances or liquids that can evaporate at room temperature, inflammable powders and gas.

Risks related to operation in humid environments

Respect the limitations indicated in this manual, in section 1.5 “Authorised environmental conditions”.

Risk of incorrect interpretation of the safety pictograms

With reference to risk analysis and identification, DEPURECO has installed hazard labels on the vacuum, in compliance with the standards concerning graphical symbols.

The user must immediately replace any safety plate rendered illegible due to wear or damage.



Warning!

The removal of safety plates from the vacuum and/or its components and packaging is strictly prohibited.

DEPURECO shall not be held liable for the vacuum's safety in the event of failure to comply with this prohibition.

2.5 Applied Directives

The following directives apply to the vacuum cleaner described in this manual:

- 2006/42/EC Machinery Directive
- 2014/30/EU Electromagnetic compatibility directive
- 2011/65/EU - ROHS - Directive on the restriction of the use of certain hazardous substances in electrical and electronic equipment
- 2014/35/UE – Low tension directive

The reference standards, including their binding requirements, are managed within the DEPURECO Quality Management System and archived by DEPURECO.



3. HANDLING, UNPACKING AND INSTALLATION SECTION

3.1 Handling



Warning!

The instructions for transporting and unpacking the vacuum correctly are shown on the packaging as well.

The following instructions also indicate the operations to be undertaken should the vacuum need to be re-packed or unpacked after subsequent transportation.



The vacuum cleaner must be lifted and handled exclusively using a forklift having suitable load bearing capacity.

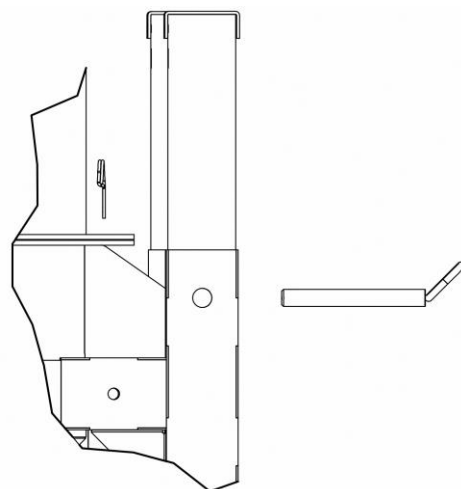
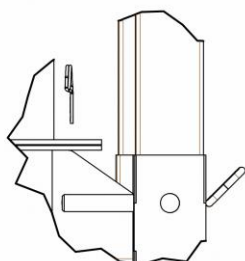
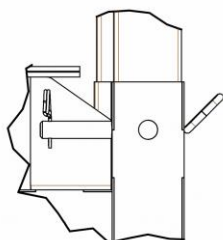
When using a forklift, lift the load 200 mm off the ground and swing backwards. Always keep the height of the working environment in mind when lifting loads. Before starting any movement, ensure that the area is cleared and that there are no moving objects on the packaging. For lifting and handling, apply operating safety laws and normal instructions for fork-lift truck driving.

Proceed as described in the following instructions to remove the vacuum's packaging:

- Cut and unwind the two packaging fixing belts
- remove the bubble wrap surrounding the machine
- loosen and unscrew the fastening screws and brackets from the pallet
- Use an appropriate forklift to move the vacuum cleaner
- Insert the forklifts' forks into the appropriate mountings placed under the hopper and welded to the adjustable frame
- Lift the vacuum cleaner 200mm without removing the safety pins
- Position the vacuum cleaner in the dedicated working area
- Set down the machine after making sure the surface is level and free of obstacles and extract the forks
- Firmly secure the support plates to the ground with the appropriate anchors
- Remove the safety pins
- Insert the forks into the mountings and lift the frame until it reaches operating position
- Insert the safety pins into their housings and make sure the split pins are correctly positioned
- Assemble the continuous discharge system



SAFETY PINS REMOVAL

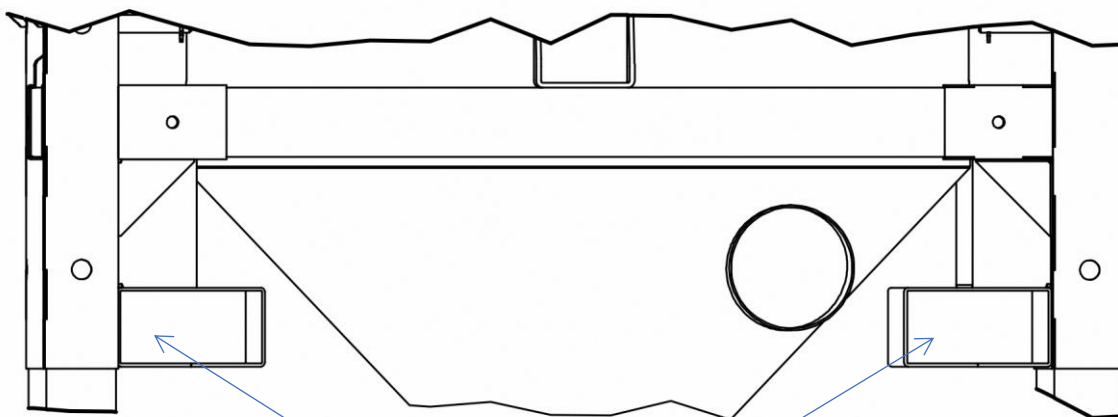


1. Safety pin inserted and blocked by the split pin

2. Removal of the split pin

3. Rimozione perno dall'alloggiamento

DETAIL: FORKLIFT MOUNTINGS



MOUNTINGS



Warning!

Keep the pallet.

In the event of subsequent transport, the vacuum must be secured to the pallet using the same fastening system.



Warning!

Do not insert the plug in the power supply socket with wet hands.

Do not use extension leads.



Caution!

Before installing the vacuum, it is important to carry out a thorough preventive visual inspection to identify any damage, which may have occurred during transport.

In the event of one or more components being damaged, do not continue with installation, inform DEPURECO about the anomaly and agree upon action to be taken.

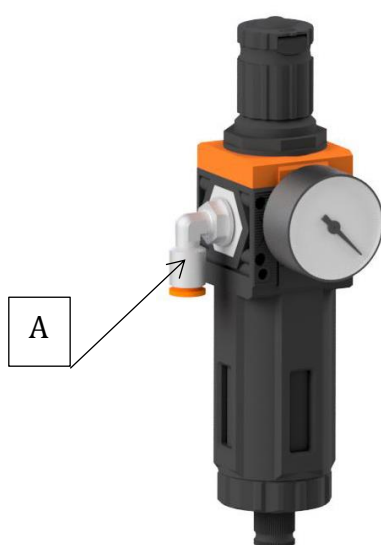


3.2 Connecting to the pneumatic supply

Connect to the junction (A) shown in the image.

The pneumatic supply required is of max. 6 bar.

To guarantee the correct functioning in time, the air inserted in the vacuum cleaner must be deoiled.



4. OPERATION SECTION

4.1 Description of the controls



Warning!

The vacuum can be used solely by authorised personnel after having read these use and maintenance instructions.

The user of the equipment and the maintenance technician, who carry out operations on the vacuum, must be adequately educated, informed and trained, in compliance with the occupational safety standards in force and, during the various operations, must wear personal protective equipment (PPE), such as safety footwear, gloves, protective goggles, mask, etc. The user must comply with the provisions in force concerning extracted materials and their disposal.



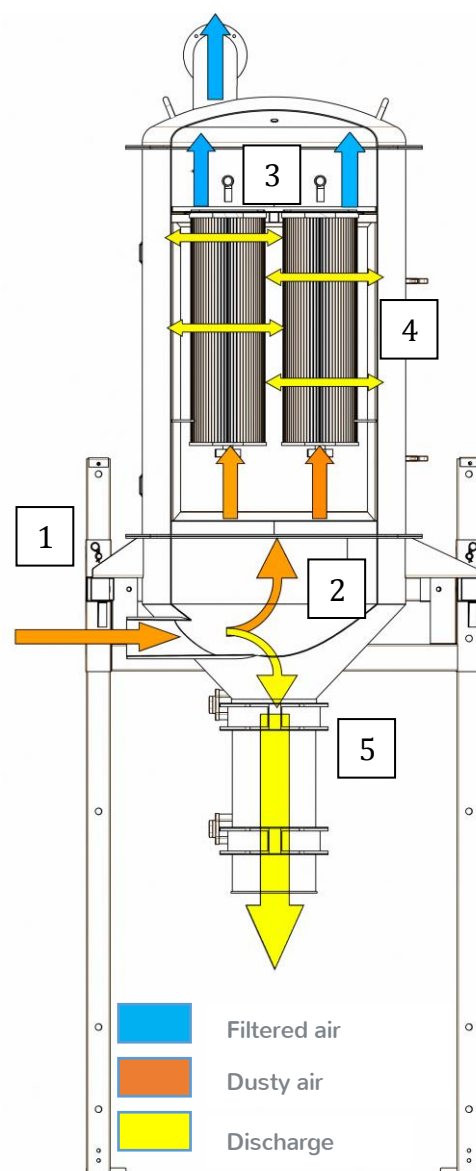


4.2 Operating cycle

Before starting the plant, position a container (or bag) to collect the solid material picked up by the vacuum cleaner and avoid its dispersion in the area in which the machine operates.

Ensure that the inspection door is properly closed.

1. The dusty air is picked up through a tangential inlet which guarantees its even distribution inside the hopper.
2. Inside the filtering chamber, the air taken in abruptly reduces its speed, taking a spiral motion. This causes precipitation of the coarsest particles.
3. The air flow gets distributed on the surface of each filtering element (cartridges or bags) by going through them from the outside inwards. The filtered air, now free from particles, is then directed towards the outlet vent placed on the upper part (lid) of the filtering chamber.
4. The vacuumed dust and particles land on the external surface of the filtering elements increasing the filtering action but progressively increasing its pressure drop. To reduce pressure drop the filtering elements regularly undergo a cleaning cycle using a strong compressed air blast. The air blast produces a pressure wave, which removes dust and particles layered on the external surface of the filtering elements. The material then falls by gravity in the hopper located below,
5. Discharge depends on the solution selected at the design stage.



Caution!
Never use the machine with the filter clogged.



Vacuum cleaner with reverse air jet filter cartridge cleaning system (S.P.)

The vacuum cleaner must be connected to the compressed air supply with a maximum pressure of 6 bars to the dedicated regulating filter (see § 3.3 of the manual).

The cleaning of the cartridges will be performed automatically during the vacuuming. Depending on the models, it is possible to manually activate the cleaning system from the electrical panel. It is possible to carry out this operation even when the vacuum cleaner is not on. N.B: Voltage must still be present.



Warning!

If the vacuum cleaner doesn't operate correctly after the cleaning of the filter, it's possible that the filter is clogged and has to be replaced.



Warning!

Disposal must be done in compliance with the existing laws for the country of use Of the vacuum cleaner. For Italy - Legislative decree 152/2006 and subsequent modifications.

4.3 Storage – Decommissioning

Remove the filter and clean it; empty the refuse collection container and store the vacuum in a place protected against weather agents with the temperature ranging between 5 and 45 °C and cover it with a nylon tarp to protect it against dust.



5. MAINTENANCE SECTION



Warning!

Special vacuum maintenance must be carried out solely by specialised technicians authorised by the DEPURECO dealer.

5.1 Informative notes

This section describes the checks and routine maintenance operations required to ensure proper vacuum operation.

Maximum reliability and minimum maintenance costs are the result of a planned maintenance and inspection schedule carefully followed throughout the entire lifespan of the vacuum.

Observe the set maintenance intervals and schedule the interventions according to specific requirements in relation with the vacuum production cycle.

Always use perfectly working tools specifically intended for the operation to be carried out; the use of inadequate or inefficient tools can cause severe damages.

Any other intervention required to remove faults or malfunctions must be expressly authorised by the manufacturer.

In these cases, always communicate the vacuum identification data - see para. 1.4 of this manual.

For significant repairs, refer to the authorised dealer, whose specialised personnel has the technological expertise and is always available for prompt interventions.

For user maintenance operations, the vacuum must be disassembled, cleaned and maintained, where possible, in such a way as to prevent hazards to the maintenance personnel and to third parties. Suitable precautionary measures include decontamination before dismantling, measures for filtered forced ventilation of the room where the appliance is disassembled, cleaning of the maintenance area and suitable personal protection equipment.

Once every three months (or more frequently, according to the operating cycle and the conditions of use), the manufacturer or a qualified technician must check the filters, ensuring that they are not damaged; the tightness of the air system and proper operation of the control devices.

Should maintenance operations or repairs be carried out, all contaminated objects must be adequately cleaned, placed in waterproof bags and disposed of in compliance with the regulations in force.



5.2 General safety regulations



Warning!

All the operations described above must be carried out with the plug disconnected from the socket.



Before starting any maintenance or cleaning operation, wear suitable PPE (protective clothing, goggles and/or gloves, etc.) according to the work to be done.

Place a sign on the vacuum with the message:

**“MACHINE UNDER MAINTENANCE
DO NOT START”**



Before returning to use, the whole system must be checked according starting procedures.

Run a few trial operating cycles after every maintenance operation to ensure proper machine operation.

Failure to observe these precautions can cause serious injury to personnel.

Maintenance operations must be carried out by trained technicians specialised in the following sectors:

- Mechanical maintenance
- Electrical maintenance

It is the Safety Manager's duty to ensure the professionalism and skills of these technicians.

Before starting any maintenance operation, the Safety Manager must:

- Keep unauthorised personnel out of the work area.



- Ensure that the necessary tools are in good conditions and readily available to the maintenance technician.
- Ensure the maintenance technician is equipped with the personal protection equipment required for the specific operation (gloves, goggles, shoes, mask, etc.)
- Make sure the maintenance technician has carefully read the instructions contained in this manual and has perfectly acquired knowledge on the operation of the vacuum and its components.

- Ensure that there is enough light and, if necessary, provide 24 Volt torches.



Before starting any maintenance operation, the Maintenance technician must:

cut off all power supplies and set the vacuum cleaner in safety lock condition



Warning!

If absolutely necessary operating with the power turned on, pursuant to Italian Legislative Decree 81/08, the maintenance technician must maintain a safe distance, prepare reachable emergency stop buttons and never place hands in the discharge container.

At the end of the procedure and before returning to use, the maintenance technician must check that guards are functioning correctly and the protection devices are intact.

Operations on the motors or on other electrical components must only be carried out by the specially trained electrical maintenance technician authorised by the Safety Manager.



Warning!

After any maintenance intervention, the Health and Safety Manager is required to check the safety conditions of the vacuum cleaner and of its safety devices.

Before every work shift

- Check that the power cord and the plug are not damaged: replace them immediately if there are any signs of wear, using a cord of the same type (information c/o DEPURECO). This operation is the sole responsibility of an electrician.
- Check the integrity of the safety symbols (pictograms) applied to the vacuum cleaner.
- Verify the efficiency of the filters by checking the vacuum gauge.
- Check the integrity of the hose and of the accessories to be used.



Warning!

The flexible hose, if perforated, reduces the suction power and releases dust into the surrounding environment.



5.3 Replacing the filter



Warning!
Wear appropriate PPE (dust mask, latex gloves, goggles, etc.).

Proceed as follows to replace the filter:

- Switch the machine off by turning the main switch to "0"
- Disconnect the vacuum cleaner from the electrical supply line
- Unplug the vacuum cleaner from the socket
- Unlock the inspection door's locking hooks
- Open the inspection door
- Unscrew the supporting rod's knob
- Delicately extract the knob while keeping the filter in its position
- Place the filtering units back in their housings
- Tighten the supporting rod's knob
- Close the inspection door
- Lock the inspection door through the locking hooks



Operation setting



Supporting rod extraction and filtering cartridge replacement



Remove the filter, put it in a plastic bag, seal it and dispose it of according to the current legislation on the type of material extracted

EXCLUSIVELY USE FILTERS MANUFACTURED BY DEPURECO



5.4 Troubleshooting

FAULT DETECTED	POSSIBLE CAUSE	SOLUTION RECOMMENDED
Weakened suction rate	<ul style="list-style-type: none">- Clogged filter	<ul style="list-style-type: none">- Replace the filter
Reduced filtering capacity	<ul style="list-style-type: none">- Filtering cartridges not correctly installed	<ul style="list-style-type: none">- Check the correct installation of the filtering cartridges
Dust comes out of the vacuum cleaner	<ul style="list-style-type: none">- Inspection door incorrectly closed	<ul style="list-style-type: none">- Check the inspection door
	<ul style="list-style-type: none">- Pierced filter	<ul style="list-style-type: none">- Replace the filter
	<ul style="list-style-type: none">- Filter not suitable for the vacuumed material	<ul style="list-style-type: none">- Contact DEPURECO's technical assistance



5.5 Scrapping



In case of scrapping, to avoid damage to the environment, all components of the vacuum cleaner, must be disposed of responsibly, in appropriate landfills, in compliance with current legislation - for Italy Legislative Decree no. 152/2006 and subsequent amendments. (subsequent modifications and additions).

Before scrapping the machine, the plastic and rubber materials must be separated from the electrical material.

Correct disposal of the product (electrical and electronic equipment waste)

The electrical and electronic parts of this product must be disposed of in compliance with Italian Legislative Decree 151/2005 and subsequent amendments. (Directive 2002/96/EC on WEEE - Waste Electrical and Electronic Equipment)

The parts of the vacuum made of plastic material, aluminium and steel can be recycled in appropriate centres.



In the event of doubts, avoid interpreting the information! Call immediately your reseller!



MAINTENANCE LOG:

INTERVENTION 1:

DATE:

TECHNICAL ASSISTANCE:

TYPE OF INTERVENTION:

INTERVENTION 2:

DATE:

TECHNICAL ASSISTANCE:

TYPE OF INTERVENTION:

INTERVENTION 3:

DATE:

TECHNICAL ASSISTANCE:

TYPE OF INTERVENTION:

INTERVENTION 4:

DATE:

TECHNICAL ASSISTANCE:

TYPE OF INTERVENTION:



Depureco Industrial Vacuums Srl
Società soggetta a direzione e coordinamento COFISE spa

Corso Europa, 609 - 10088 Volpiano (TO)
Tel. +39 011 98.59.117
Fax +39 011 98.59.326

PERFORMANCE ON VACUUM SINCE 1972

www.depureco.com
depureco@depureco.com
depureco@documentipec.com

C.F. e P.I. 02258610357
Registro Imprese di Torino - **R.E.A.** TO-1149668
Capitale Sociale: € 25.000 i.v.

