



**USER
AND MAINTENANCE
MANUAL**

**INDUSTRIAL
VACUUM
TB UP**



This manual is an integral part of the vacuum.
Carefully read this manual and its attachments. Knowing the instructions contained in it is crucial for using the vacuum and carrying out maintenance operations under full safety conditions.
rev. 0 dated 15/12/2016

Summary



1.	INFORMATIVE SECTION	4
1.1	Preface.....	4
1.2	Identification of the main parts	6
1.3	Optional parts	7
1.4	Manufacturer's identification data	7
1.5	Identification plate.....	7
1.6	Intended use.....	7
1.7	Allowed environmental conditions.....	7
1.8	Noise level.....	8
1.9	Technical data.....	8
1.10	Warranty	9
2.	SAFETY SECTION.....	10
2.1	Information on safety.....	10
2.2	Safety requirements	11
2.3	Safety plates and symbols.....	13
2.4	Residual risks	15
2.5	Applied Directives.....	15
3.	HANDLING, UNPACKING AND INSTALLATION SECTION.....	16
3.1	Handling.....	16
3.2	Unpacking	17
3.3	Installation.....	19
4.	OPERATION SECTION.....	21
4.1	Description of the controls.....	21
4.2	Operating cycle.....	22
4.3	Emptying the refuse container.....	25
4.4	Inserting and locking the refuse container	26
4.5	Storage - decommissioning.....	26
5.	MAINTENANCE SECTION.....	27
5.1	Information notes.....	27
5.2	General safety regulations.....	28
5.3	Replacing the filter	30
5.4	H filter (or HEPA filter).....	33
5.5	Troubleshooting.....	34
5.6	Scrapping.....	35





IMPORTANT - The DEPURECO name and logo used in this document refer to and belong to **DEPURECO INDUSTRIAL VACUUMS S.r.l.**

This document is the exclusive property of DEPURECO S.r.l. Full or partial reproduction by any means (graphic, electronic, etc.) is prohibited without prior authorisation by the Company Management.

1. INFORMATIVE SECTION

1.1 Preface

Dear Customer

We thank you for having chosen DEPURECO and congratulate you on choosing a TB UP series DEPURECO vacuum.

We have prepared this manual to allow you to fully appreciate the qualities of this machine.

We recommend reading it carefully before using it for the first time.

It includes information, recommendations and important warnings concerning the use of the vacuum, which will help you to take full advantage of the technical properties of your machine.

We recommend you carefully read the messages, warnings and indications preceded by the following symbols:



for personal safety;



for vacuum integrity;



for environmental protection.

This document has been designed for extracting dust and processing residues.

The vacuumed material tends to settle at the bottom of the container as a result of the deflector placed immediately at the entrance to the filter chamber; finer dust particles are transported by the air flow and are deposited on the surface of the filter placed above the container.

This manual describes the following models:

TB UP



This manual provides all the necessary information for the use and maintenance of your vacuum.

This specific model has undergone strict testing to ensure maximum reliability. Its operation and durability will depend on proper use and maintenance.

This manual is an integral part of the vacuum and must accompany it at all times, until its demolition. In the event it is lost or damaged, you can request another copy from DEPURECO INDUSTRIAL VACUUMS S.r.l. (hereafter simply called DEPURECO).

The technical information contained in this manual is the exclusive property of DEPURECO and must be considered confidential.

Reproduction, even partial, of graphics, text and illustrations is prohibited by law.

Some details shown in the figures in this manual can differ from those on your vacuum; this is because some components can be removed to ensure maximum clarity.

For easier consultation, this manual is divided into sections that are identified by a specific graphic symbol. The topics covered in this manual are those expressly required by Machinery Directive 2006/42/EC and the technical data are taken from the technical file archived at DEPURECO.

In compliance with Regulation 1907/2006/EC (REACH), DEPURECO declares that its products do not contain any Substances of Very High Concern (SVHC) included in the Candidate List.

This manual must be kept in a place that can be easily accessed by the personnel in charge of running and maintaining the vacuum.

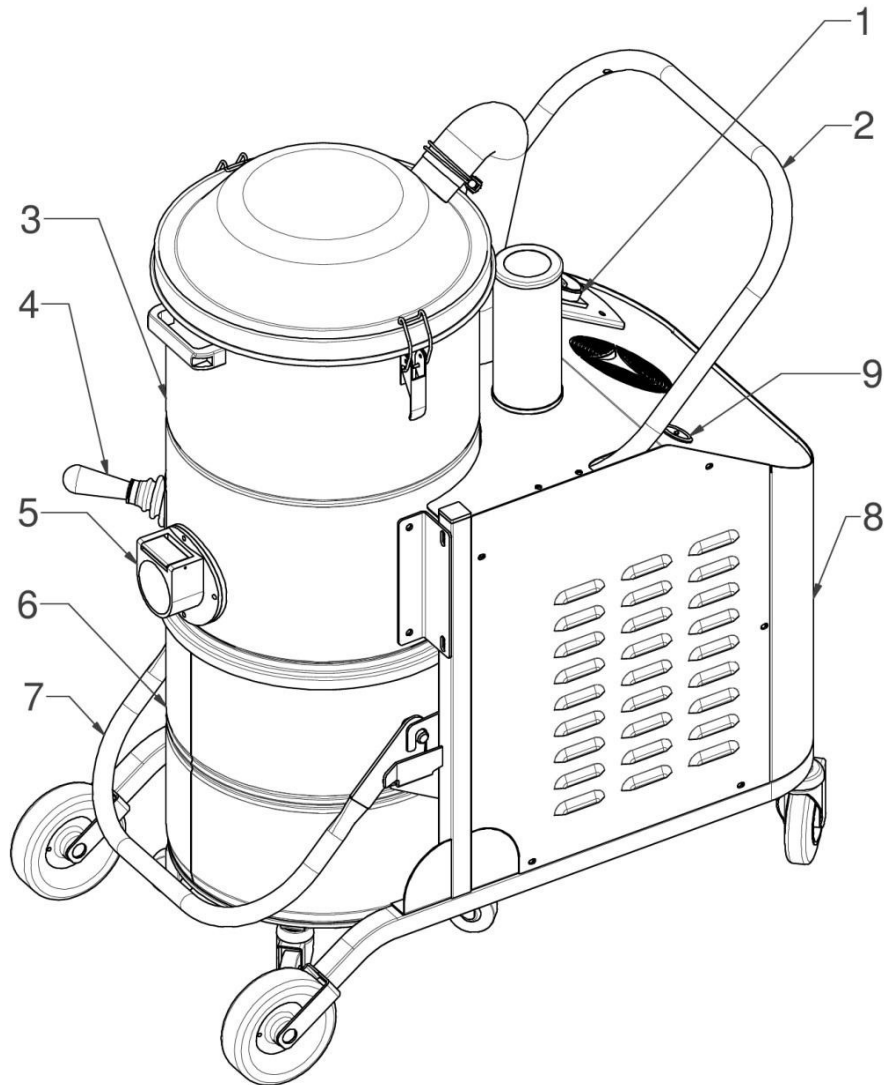
Any dispute will be heard by the Court of Turin (Italy).



This manual must accompany the vacuum even in the event it is sold!



1.2 Identification of the main parts



1. on/off commands
2. grip for handling
3. filter chamber
4. filter shaking lever
5. suction nozzle
6. collection container for vacuumed material
7. container release lever
8. blower cover cap
9. negative pressure indicator



1.3 Optional parts

DEPURECO provides a wide range of optional accessories, depending on the application of the vacuum.

1.4 Manufacturer's identification data

DEPURECO INDUSTRIAL VACUUMS S.r.l.

Corso Europa 609 - 10088 Volpiano (TO) – ITALY

tel. +39 011 98 59 117

fax +39 011 98 59 326

e-mail: depureco@depureco.com

website: www.depureco.com

VAT No. 02258610357

1.5 Identification plate

The data on the vacuum identification plate must be referred to in any communication with the manufacturer or the dealer.

DEPURECO S.r.l				C.so Europa, 609 - Volpiano (TO) 10088 - ITALY Tel. +39 011. 98. 59. 117 - Fax. +39 011. 98. 59. 326 MADE IN ITALY	
Mod.		Volt.			
Serial N.	kW	Amp.	Hz		
Dust Class	IP	Kg.	Year		

1.6 Intended use

This model has been designed, manufactured and protected solely for professional industrial extraction of non-flammable and non-toxic wet and/or dry dust and shavings.
Any other use is considered **IMPROPER**.

1.7 Allowed environmental conditions

To ensure proper operation, the vacuum must be protected from the elements (rain, hail, snow, fog, suspended dusts, etc.) at a room temperature ranging between 5°C and 45°C and a humidity below 70%. The work environment must be clean, suitably lit and must not give rise to a potentially explosive atmosphere.



1.8 Noise level

Photometric tests carried out on these specific models have shown a sound pressure level of

TB UP

72 dB(A)



Attention!

For sound pressure levels above 85 dB(A), exposed workers must wear suitable personal protective equipment (PPE) such as type-approved individual hearing protection.



Under these conditions, workers must be provided with adequate training and information on risks arising from noise exposure.

1.9 Technical data

INFO TECHNIQUES/ TECHNICAL DATA				
		1ph	3	4
VOLTAGE / VOLTAGE	KW	2,2	3	4
PUISSANCE / POWER	V-HZ	230 - 50/60		
DÉPRESSION MAX / VACUUM	mBar	230	310	310
DÉBIT / MAX AIR FLOW	mc/h	350	420	320
BOUCHE ASPIRANTE/ INTAKE OPENING	mm	70	70	70
MEDIA FILTRANTS/ FILTER MEDIA	cmq	15.000		
SUP.FILTRANTE / FILTER SURFACE	cmq	15.000		
NIVEAU SONORE / NOISE LEVEL	dB(A)	72		
CUVE / DUST BIN	Lt	45		
POIDS / WEIGHT	Kg	85		
DIMENSIONS / DIMENSIONS	Cmq	550x990x1120		

(*) weight without packaging - packaging weight = 18 Kg

(**) overall dimensions without packaging



1.10 Warranty

DEPURECO guarantees this vacuum model for 12 months from the date of purchase indicated on the receipt upon delivery of the product.

The warranty is null and void in the event that the vacuum is repaired by unauthorised third parties, equipment, accessories or components not supplied or not authorised by DEPURECO are used or the serial number is removed (during the warranty period).

During the warranty period, DEPURECO undertakes to repair or replace free of charge parts and components, which prove to have manufacturing defects.

Repairs are made solely at our premises or in specific Service centres and must be delivered ex works (transport costs are charged to the purchaser, unless otherwise agreed upon).

The warranty does not cover cleaning of operating elements.

The purchase receipt must be shown to the authorised technical personnel carrying out the repair and must accompany the vacuum during its shipment.

Defects that are not evidently due to materials or manufacturing will be examined solely at our premises or at a specific Technical Service Centre.

Should the complaint be unjustified, all repair and/or replacement expenses shall be charged to the purchaser.

The following are excluded from the warranty: accidental damage due to transport, negligence, abnormal use, improper use, non-compliance with the instructions contained in this booklet or arising from phenomena that do not depend on normal use/operation of the vacuum.

DEPURECO shall not be held liable for any injuries to persons or damage to objects caused by misuse or improper use of the vacuum.

Any dispute will be heard by the Court of Turin (Italy).



Protect your purchases by joining the exclusive "warranty plus" program
Go to www.depureco.com , fill in the form to extend the warranty up to 24 months.



If you have any doubt do not act by yourself!

Please call your retailer



2. SAFETY SECTION

2.1 Information on safety



In compliance with Italian Legislative Decree 81/08 and subsequent additions and amendments, the Safety Manager is obliged to educate, inform and train workers on the risks related to the use of the vacuum, in order for them to be able to protect their own and others' safety.

Failure to comply with basic safety standards and precautions can cause accidents during use, maintenance and repairs of the vacuum. Accidents can frequently be avoided by recognising potentially hazardous situations before they occur. Adequate training is crucial to this end.

DEPURECO shall not be held liable for accidents or damage due to the improper use of the vacuum by untrained personnel or to failure to comply, even partially, with the occupational safety standards and intervention procedures contained in this manual.

Safety warnings and precautions are indicated in this manual as well as on the product itself. Operators must pay special attention to these hazard warnings to prevent accidents with serious consequences for themselves and other people.

Safety messages are emphasised by the following symbol:



Attention!
Failure to comply with these messages can cause injuries to the operator.



Attention!
Failure to comply with these messages can cause damage to the vacuum.



Attention!
Failure to comply with these messages can cause damage to the environment.

DEPURECO designs and manufactures its equipment and accessories with care, identifying and compensating possible risks related to their use. In the event that equipment, procedures, work methods or techniques not expressly provided for by DEPURECO are used, it is crucial to ensure beforehand that there are no dangers for oneself and the others, notwithstanding that DEPURECO shall not be held liable.



Utilizzate esclusivamente ricambi originali DEPURECO

La Depureco declina ogni responsabilità
per l'uso di ricambi non originali.



2.2 Safety requirements



Attention!

The indications below are important to prevent hazards that can occur while operating the vacuum. However, they cannot replace the expertise and common sense of the operators as an overall framework for accident prevention.

Every section lists further safety requirements specific for the various operations.

CAUTION!

- This vacuum can only be used by adequately trained adults.
 - This vacuum is suitable for industrial use, such as: factories, warehouses, workshops.
 - The equipment must be electrically connected to a mains equipped with efficient earthing.
 - This vacuum is not intended to be used in corrosive or explosive environments.
 - Keep the vacuum clear from foreign bodies, such as debris, oil, tools and other objects that could damage its operation and cause injuries.
 - Avoid using flammable or toxic solvents, such as petrol, benzene, ether and alcohol for cleaning operations.
 - Avoid prolonged contact with solvents and inhaling their vapours.
 - Avoid using it in the proximity of naked flames or heat sources; ensure suitable ventilation.
 - Do not, under any circumstance, use the vacuum without a filter.
 - Do not vacuum lit cigarette butts: they could ignite the filter.
 - Do not vacuum petrol or flammable liquids in general.
 - Ensure that all the guards and protection devices are in place and that all the safety devices are properly installed and efficient.
 - Do not wear loose or baggy clothing, such as ties, scarves, ripped clothes that could get easily caught or trapped in the vacuum.
 - Do not open the refuse collection container while the vacuum is operating.
 - Never put your hands inside the container's positioning guides: movement of the lifting handle can cause crushing of the fingers.
 - Extensions, press-fit plugs and adapters are prohibited.
- Do not climb on the vacuum.



-
- Do not touch electric wires, switches, buttons, etc., with wet hands.
 - Periodically verify the integrity of the power cord.
 - When using the industrial vacuum, some components (motor terminal box, motor body in particular) can reach high temperatures.
 - During the operations to restore original work conditions, the personnel in charge must ensure at the end of the procedure, normal operating and safety conditions of the vacuum and, in particular, of the safety devices and protective guards involved in the operation.
 - In the event that the Customer installs a tool not supplied by DEPURECO on the vacuum, it is essential to verify that the safety requirements of Machinery Directive 2006/42/CE are met, notwithstanding that DEPURECO shall not be held liable for problems caused by the use of that part.
 - Structural damage, alterations or improper repairs can modify the protective capacity of the vacuum, thereby nullifying this certification and releasing DEPURECO from any liability.
 - This manual must always be kept at hand for consultation on the operating cycle and for clarifying any doubts.
 - In the event it is lost or damaged, request another copy from DEPURECO.



Attention!

This vacuum can contain harmful dust.

Emptying and maintenance procedures, including the disposal of the dust collection containers, must be carried out only by specialised personnel wearing suitable personal protective equipment.

Do not activate without a complete filtering system.



2.3 Safety plates and symbols

Plates with safety symbols and messages are applied to the vacuum and its packaging. These pages show their precise location and the nature of the hazard.



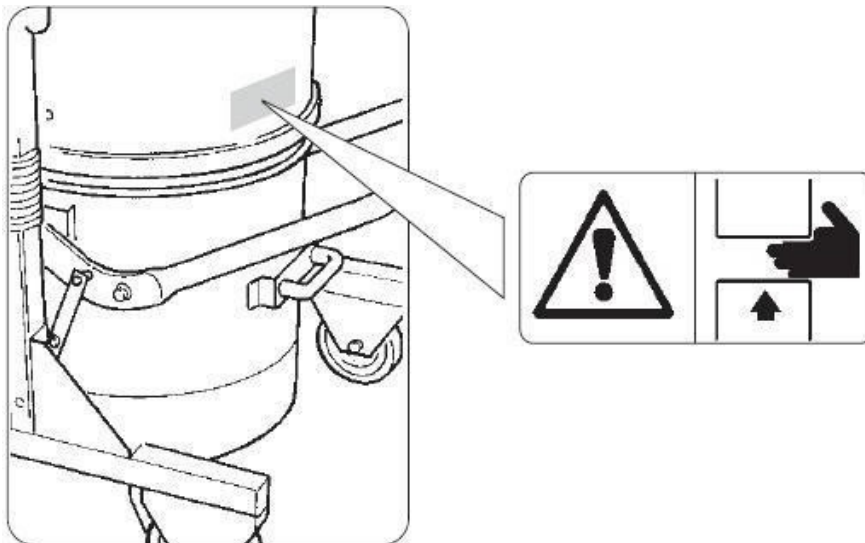
Attention!

Ensure that all safety messages are perfectly legible.

Clean them with a cloth, water and soap. Do not use solvents, naphtha or petrol.

Replace damaged plates requesting them from DEPURECO.

In the event that a plate is located on a piece that is replaced, ensure that a new plate is affixed to the new piece.



Attention!

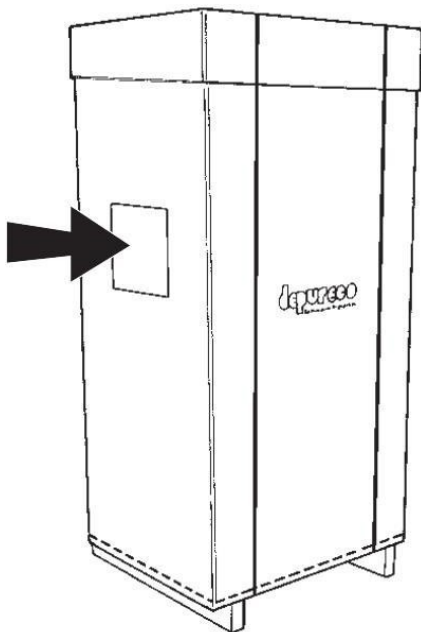
Upper limb crushing hazard while inserting and locking the refuse container in place under the vacuum.

Never place your hands between the vacuum and the refuse container while inserting and locking the refuse container in place under the vacuum.

Lock the container in place by means of the dedicated lever, using **BOTH HANDS**.



Attention!
Carefully read this use and maintenance manual before using the vacuum or carrying out maintenance interventions.



Attention!
Carefully read the instructions on the packaging before handling and unpacking the vacuum.



2.4 Residual risks

DEPURECO recommends complying with the instructions, procedures and recommendations in this manual and with the safety standards in force. DEPURECO also recommends using suitable personal protective equipment as well as the protection devices integrated in the vacuum.

The residual risks analysed on the vacuum and/or its components can be:

Electrical risks during maintenance on live parts

Pursuant to Italian Legislative Decree 81/08 – articles from 80 to 87 – it is prohibited to operate on live parts, notwithstanding the exceptions set forth by said Legislative Decree.

Risk of improper use in presence of liquid, explosive and flammable substances

The vacuum must not be used in environments containing liquid substances or liquids that can evaporate at room temperature, flammable powders and gas.

Risks related to operation in humid environments

Comply with the limitations indicated in this manual, in section 1.7 “Allowed environmental conditions”.

Risk of crushing the upper limbs.

A safety pictogram on the vacuum warns about this hazard.

Risks of misinterpretation of safety pictograms

With reference to risk analysis and identification, DEPURECO has installed hazard labels on the vacuum, in compliance with the standard concerning graphic symbols.

The user must immediately replace any safety plate made illegible due to wear or damage.



Attention!

It is strictly prohibited to remove the safety plates from the vacuum and/or its components and packaging. DEPURECO shall not be held liable for the vacuum's safety in the event of failure to comply with this prohibition.

2.5 Applied Directives

The following Directives apply to the vacuum described in this manual:

- 2006/42/EC Machinery Directive
- 2014/30/EU Electromagnetic Compatibility Directive

Reference standards, including their binding requirements, are managed through the DEPURECO Quality Management System.



3. HANDLING, UNPACKING AND INSTALLATION SECTION

3.1 Handling

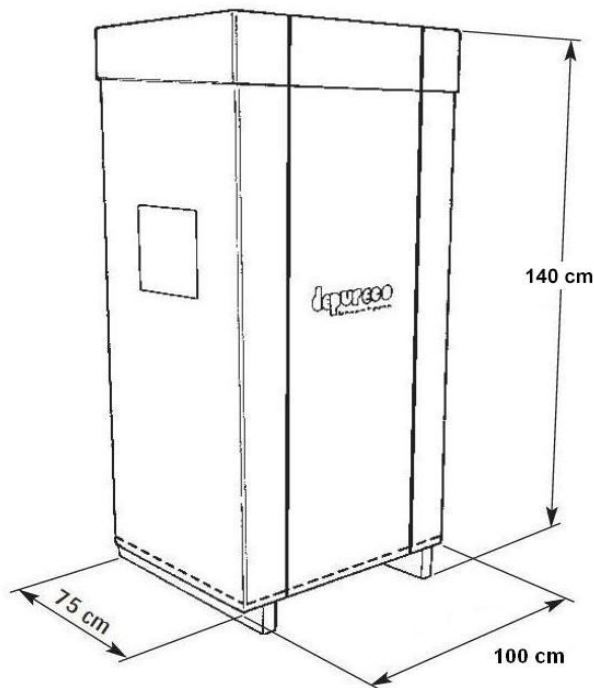


Attention!

The instructions for transporting and unpacking the vacuum correctly are shown also on the packaging.

The instructions below also include the operations to be carried out in the event that the vacuum must be packed or unpacked again for subsequent transport.

Dimensions of the packed vacuum:



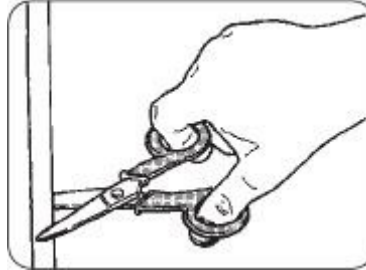
The vacuum must be lifted and handled only using a forklift whose load bearing capacity is suited to the weight.

When using a forklift, lift the load 200 mm off the ground and swing backwards. Always keep the height of the working environment in mind when lifting loads. Before starting any movement, ensure that the area is cleared and that there are no moving objects on the packaging. For lifting and handling operations, comply with the occupational safety standards in force and with the normal forklift driving instructions.

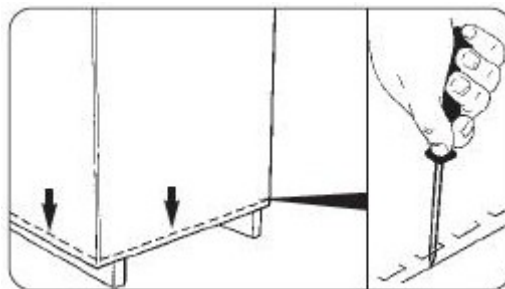


3.2 Unpacking

- Cut and remove the two packaging fasteners,



- with a screwdriver remove the staples that secure the carton to the pallet

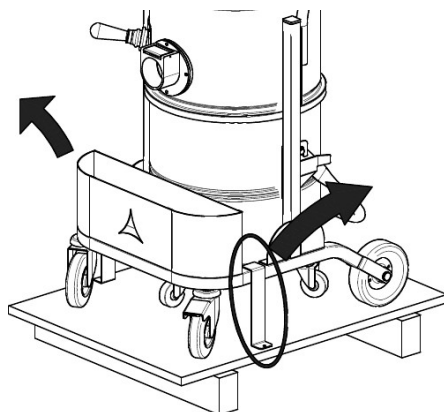


- remove the carton





- loosen and remove the fastening screws and brackets from both sides



The cardboard packaging is recyclable and should be collected separately to prevent environmental impact.



Attention!
Keep the pallet and the fastening brackets.
In the event of subsequent transport, the vacuum must be secured to the pallet using the same fastening system.



3.3 Installation

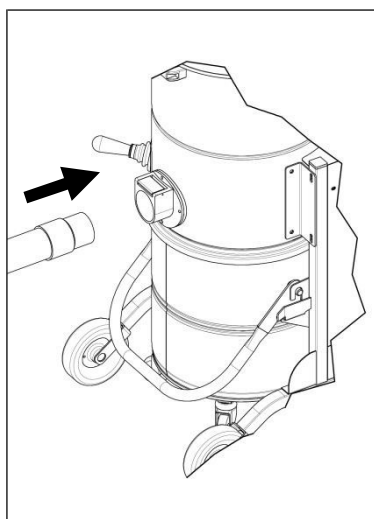


Warning!
Before installing the vacuum, it is important to carry out a thorough preventive visual inspection to identify any damage occurred during transport.

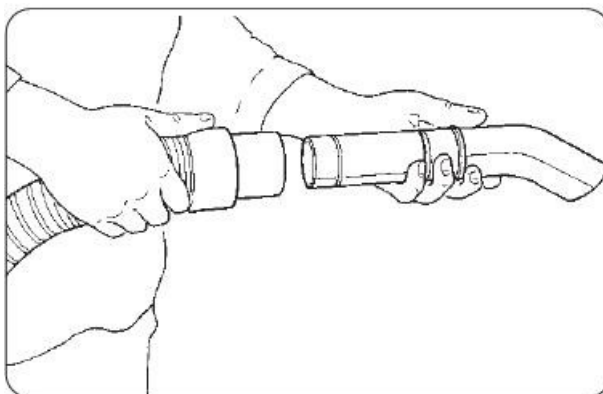
In the event that one or more components are damaged, do not continue with installation and inform DEPURECO about the anomaly and agree upon the actions to be taken.

The vacuum is already equipped with a suction filter, which allows extracting only dry dust or debris.

- Insert the hose equipped with a terminal in the suction nozzle



- insert the accessory according to the type of extraction on the opposite side of the hose

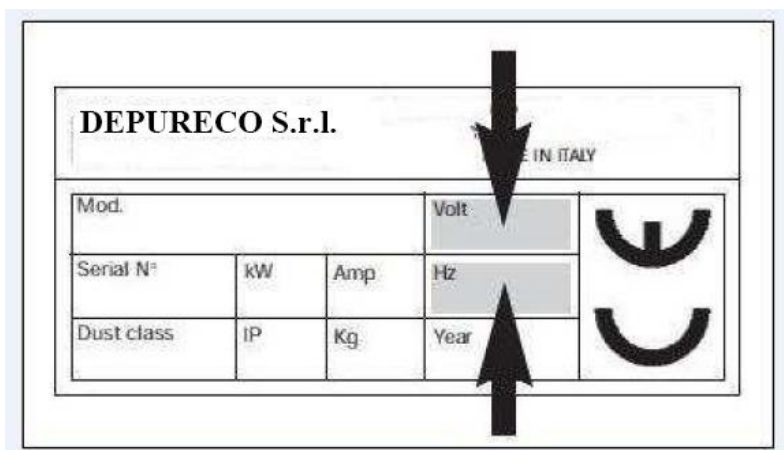




Note: the hose with its terminals and the suction accessories are not included as STANDARD. Contact your dealer (or DEPURECO) for information regarding the various types of OPTIONAL that can be used on this specific model.

The following operation must be carried out by a qualified electrician.

Ensure that the power supply line corresponds to the voltage and frequency indicated on the identification plate and that it is efficiently earthed.



The socket to power the vacuum must be protected by a mains disconnect switch in compliance with EU standards.

Insert the plug (standard supply) into the socket.



Attention!

**Do not insert the plug into the socket with wet hands.
The use of extensions is not allowed.**



4. OPERATION SECTION

4.1 Description of the controls

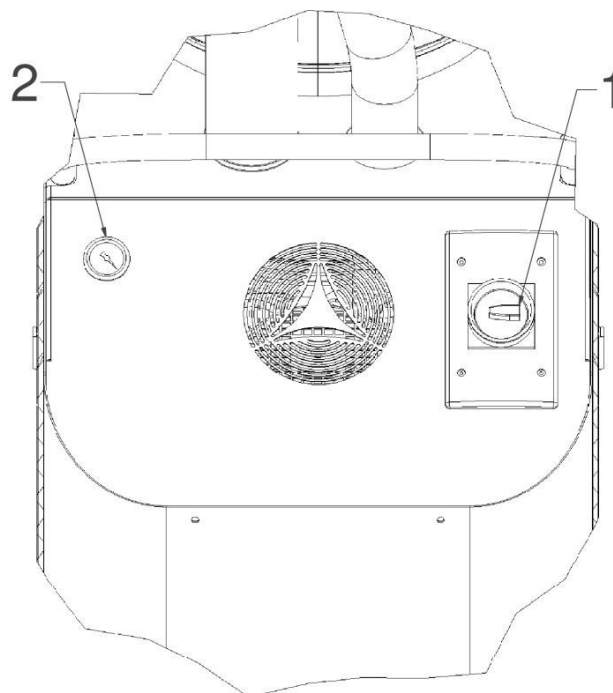


Attention!

The vacuum can be used solely by authorised personnel after having read these use and maintenance instructions.

The user of the equipment and the maintenance technician, who carry out interventions on the vacuum, must be adequately educated, informed and trained, in compliance with the occupational safety standards in force and, during the various operations, must wear personal protective equipment (PPE), such as safety footwear, gloves, protective goggles, mask, etc. The user must comply with the provisions in force concerning extracted materials and their disposal.

TB UP



1. Vacuum gauge: indicates suction filter clogging
2. ON-OFF master switch



4.2 Operating cycle

Ensure that the power cord is intact and in perfect state.



Attention!

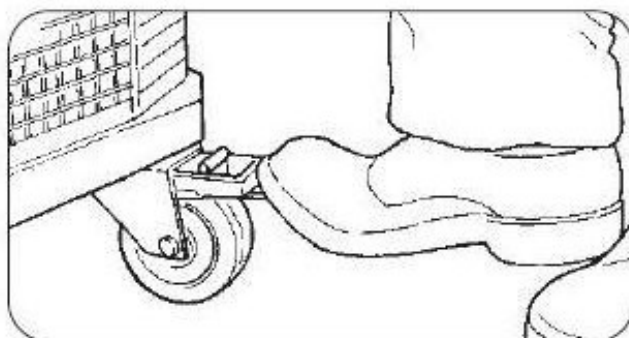
Before inserting the plug, ensure that the voltage of the power supply line corresponds to that indicated on the vacuum's identification plate.

Ensure that the power plug is inserted correctly into the socket.

Ensure that the hose is inserted properly and locked into the suction inlet.

Ensure that the refuse collection container is properly locked to the vacuum.

Block the vacuum using the lever on the swivel caster, as shown in the figure.



Attention!

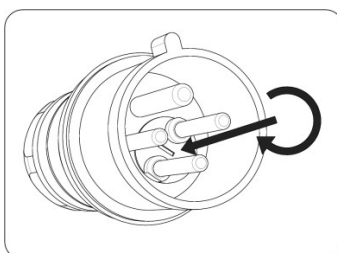
Do not shift the vacuum while it is operating.

Hold the end of the hose with the chosen accessory.

Turn the main switch (2) to "I" and start vacuuming.

To turn the vacuum off turn the switch to "0".

If the vacuum does not suck but blows air, this means that the rotation direction of the motor is incorrect; to restore proper operation, simply insert a screwdriver into the recess inside the plug and invert two poles with a rotation of 180°





Warning!
Before turning the vacuum on again, ensure that the pump has fully stopped.



Attention!
Dust coming out from the vacuum can indicate a broken filter.
In this case, stop the vacuum immediately and verify the reason for the breakage.

To move the vacuum use the special grip on the rear part.



Warning!
During operation, prevent the hose from rolling up or bending.

A vacuum gauge is installed on TB UP models indicating the level of negative pressure inside the vacuum. The vacuum gauge indicates the condition of the filter: negative pressure increases indicate filter clogging, with consequent reduction of the suction power.

When the filter is clogged, the vacuum meter indicates the value shown in the table below.

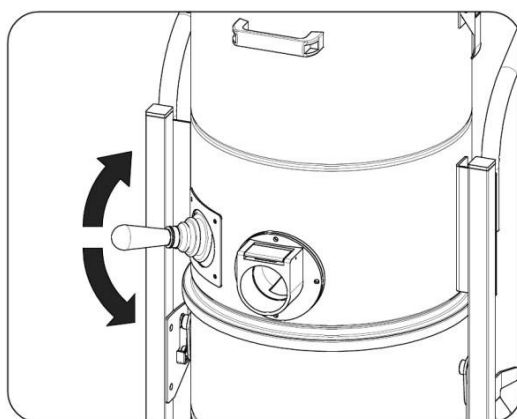
Model	Clogged filter value	
TB UP	- 0.16 bar	- 16 kPa
TB UP (*)	- 0.18 bar	- 18 kPa

(*) valid values for all models with optional HEPA filter.



In the event that the red indicator light turns on or the negative pressure is higher than that reported in the table, first make sure that the hose and/or the suction accessory is not clogged. In this case, remove the cause of the clog. Otherwise it will be necessary to clean the filter as described below:

- turn off the machine
- wait for the rotating motors to come to a complete stop
- lift and then lower the lever energetically to shake the internal filter.



Warning!

Do not, under any circumstance, use the machine with a clogged filter.



Attention!

If the vacuum is not working properly after having cleaned the filter, it can mean that the filter is clogged and needs to be replaced.



4.3 Emptying the refuse container

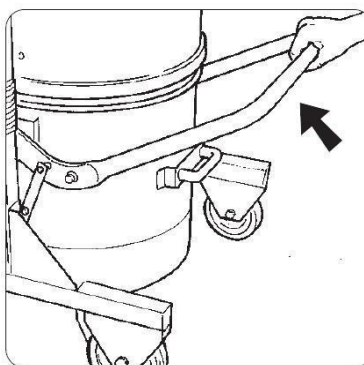


Attention!
Wear PPE (gloves, dust mask, goggles, etc.) during this operation

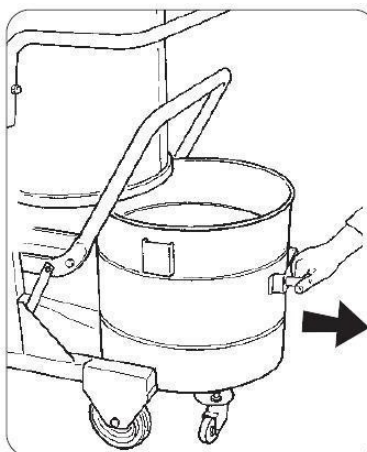
According to the amount and type of extracted material, it is important to periodically verify the refuse container, preventing it from filling up excessively.

To empty the container:

- turn off the machine
- as previously mentioned, the vacuum is locked by the lever located on the swivel caster
- unlock the container by lifting the lever



- remove the container from the vacuum, using the handle



- empty the vacuum container in the dedicated container and dispose of it in compliance with the standards in force in the country of use



Attention!
In the event that the container weighs over 15 Kg, have somebody help you.



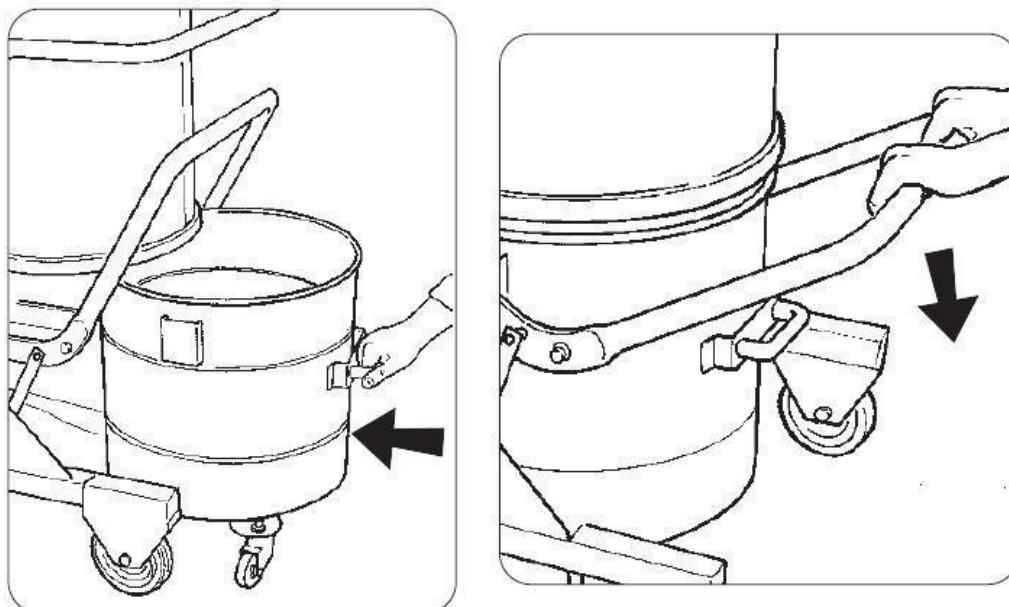
Attention!
Waste must be disposed of in compliance with the standards in force in the country of use – for Italy with Legislative Decree 152/2006 and

In the event of use with class M and H dusts, these must be conveyed to a special plastic bag.



4.4 Inserting and locking the refuse container

- Place the container under the vacuum, holding the lever raised, until it stops against the stop



- fully lower the lever that locks the container using both hands.



Attention!
Upper limb crushing hazard!

Do not, under any circumstance, place your hands between the container and the vacuum while locking it.

4.5 Storage - decommissioning

Remove the filter and clean it; empty the refuse collection container and store the vacuum in a place protected against weather agents with the temperature ranging between 5 and 45 °C and cover it with a nylon tarp to protect it against dust.



5. MAINTENANCE SECTION



Attention!
Special vacuum maintenance must be carried out solely by specialised technicians authorised by the DEPURECO dealer.

5.1 Information notes

This section describes the verifications and routine maintenance operations required to ensure proper vacuum operation.

Maximum reliability and minimum maintenance costs are the result of a planned maintenance and inspection schedule carefully followed throughout the entire lifespan of the vacuum.
Observe the set maintenance intervals and schedule the interventions according to specific requirements in relation with the vacuum production cycle.

Always use tools that are in perfect state and that are specifically intended for the operation to be carried out; the use of inadequate or inefficient tools can cause serious damage.

Any other intervention required to eliminate faults or malfunctions must be expressly authorised by the manufacturer.

In these cases, always communicate the vacuum identification data - see para. 1.5 of this manual.

For important repairs, refer to the authorised dealer, whose specialised personnel has the technological expertise and is always available for prompt interventions.

As for interventions carried out by the user, the vacuum must be disassembled, cleaned and maintained, where possible, in such a way as to prevent hazards to the maintenance personnel and to third parties. Suitable precautions include decontamination prior to disassembly, forced filtered ventilation of the room where the equipment is disassembled, cleaning the maintenance area and wearing suitable personal protective equipment.

At least once every three months (or more frequently, depending on the operating cycle and the conditions of use), the manufacturer or a qualified technician must check the filters to ensure they are not damaged, and must check proper operation of the control devices.

Should maintenance operations or repairs be carried out, all contaminated objects must be adequately cleaned, placed in waterproof bags and disposed of in compliance with the standards in force.



5.2 General safety regulations

Attention!

All the operations described must be carried out with the vacuum unplugged.



Before starting any maintenance or cleaning operation, wear suitable PPE (protective clothing, goggles and/or gloves, etc.) according to the work to be done.

Place a sign on the vacuum with the message:



**“MACHINE UNDER MAINTENANCE
DO NOT START”**

Before resuming operation, verify the entire system according to start-up procedures. Run a few trial operating cycles after every maintenance operation to ensure proper machine operation.

Failure to comply with these precautions can cause serious injuries to the personnel.



Maintenance operations must be carried out by trained technicians specialised in the following sectors:

- Mechanical maintenance
- Electrical maintenance

It is the Safety Manager's duty to ensure the professionalism and skills of these technicians.

Before starting any maintenance operation, the Safety Manager must:

- Keep unauthorised personnel out of the work area.



- ☞ Ensure that the necessary tools are in good conditions and readily available to the maintenance technician.
- ☞ Ensure that the maintenance technician is equipped with the personal protective equipment required for the specific operation (gloves, goggles, shoes, mask, etc.).
- ☞ Ensure that the maintenance technician has carefully read the instructions contained in this manual and knows the operation of the vacuum and its components perfectly well.

- Ensure that there is enough light and, if necessary, provide 24 Volt torches.



Before starting any maintenance operation, the maintenance technician must:

- disconnect all power supplies and safely lock the vacuum and
- disconnect the compressed air supply (where available).



Attention!

If working with the power on is absolutely necessary, when provided by Legislative Decree 81/08, the maintenance technician must remain at a safe distance, have stop buttons at hand and must never place his hands into the discharge volume.

Upon completing the intervention and before starting up again, the maintenance technician must verify the efficiency of the safety devices and the integrity of the protective guards.
Interventions on the motors or on other electrical components must only be carried out by the specially trained electrical maintenance technician authorised by the Safety Manager.



Attention!

After every maintenance operation, the Safety Manager is obliged to ensure the safety conditions of the vacuum and its protection devices.

Before every work shift

- Check that the power cord and plug are not damaged: replace immediately if it shows signs of wear, using a cable of the same type (information c/o DEPURECO) - this operation requires the skills of an electrician.
- Check the integrity of the safety pictograms applied to the vacuum.
- Ensure that the waste container is empty and properly locked under the vacuum.
- Ensure the correct performance of the filter by checking the indicator or the vacuum gauge.
- Ensure the integrity of the suction hose and of the accessories to be used.



Attention!

A perforated hose reduces suction power and disperses dust in the air.



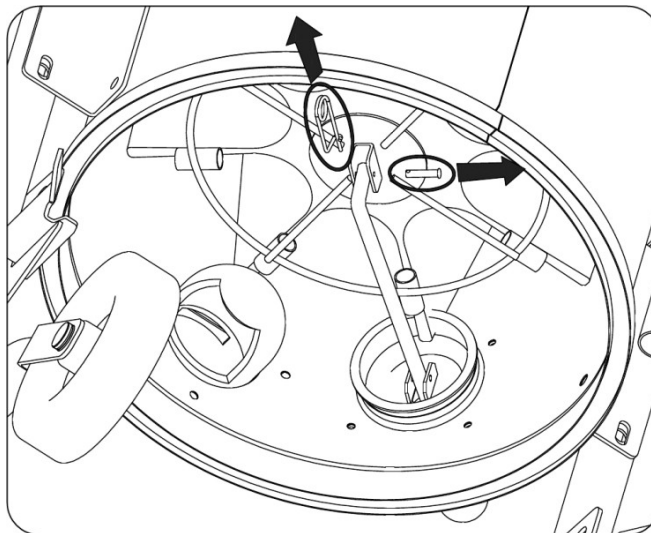
5.3 Replacing the filter



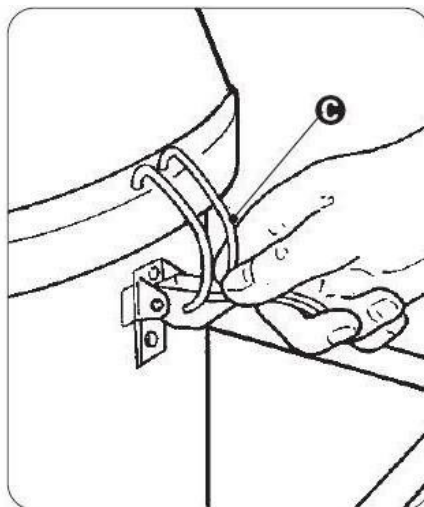
Attention!
Wear appropriate PPE (dust mask, latex gloves, goggles, etc.).

To replace the filter, proceed as follows:

- turn off the machine
- disconnect the vacuum from electric power supply
- remove the container as described at point 4.3
- from the bottom of the filter chamber, release the clip and remove the cage filter securing pin to the filter shaker lever

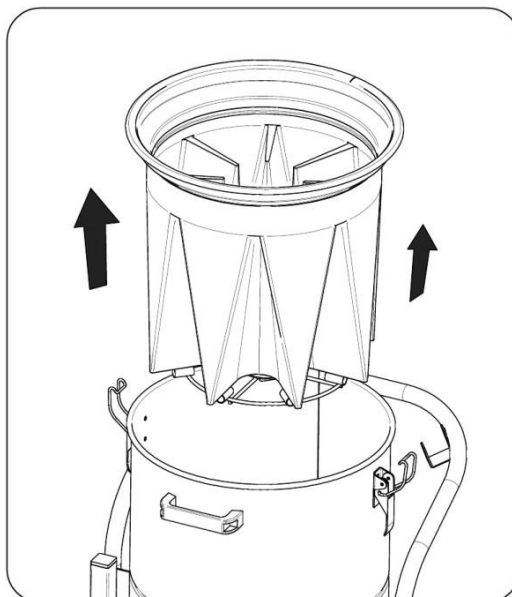


- unlock the two latches on both sides of the filtering chamber cover

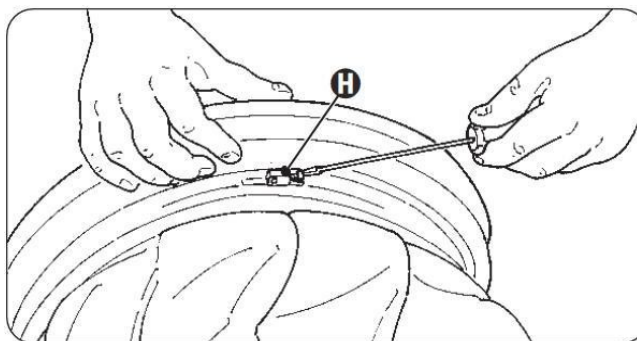




- remove the cover
- remove the HEPA filter, following the procedure mentioned above.
- remove the filter and place everything on a worktop



- remove the fastening clamp (H); detach the filter from its support and use a pair of scissors to cut the lower wires that lock it to the shaker cage.



- Remove the filter, place it inside a plastic bag, close it and **dispose of it in compliance with the laws in force** for the extracted material.



To put the new filter in, proceed in reverse order:

- insert the filter into its support ring, locking it by means of the fastening clamp (H)
- lock the filter to the cage tying the wires on its lower side.
- insert the filter complete with ring and cage into the vacuum, paying attention to the alignment of the cage with the filter shaker lever
- insert the end of the lever into place inside the cage, insert the pin and fastening clip
- insert and lock the container into position
- put the cover on the filter chamber (after adding the band with the HEPA filter)
- lock the two fastening latches (C)
- connect the power supply
- turn the vacuum on, checking its operation.

USE ONLY GENUINE DEPURECO FILTERS



5.4 H filter (or HEPA filter) -

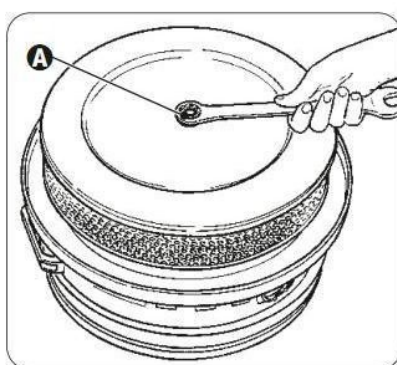
The HEPA filter is capable of retaining almost 100% of vacuumed dust. The vacuum equipped with this type of filter must be periodically verified relative to the filtering ability.



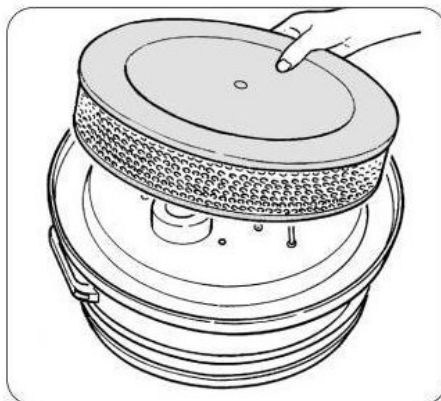
Attention!

To replace the HEPA filter wear appropriate PPE (dust mask, protective goggles, latex gloves, etc.).

- To replace the HEPA filter, remove the head, the containment band of the H filter and flip it. Unscrew the fastening screw of the filter (A).



- Remove the filter, place it inside a plastic bag, close it and dispose of it in compliance with the laws in force for the extracted material.



- Install the new filter and lock all with the (A) previously removed screw.

USE ONLY ORIGINAL DEPURECO FILTERS



5.5 Troubleshooting

ANOMALY DETECTED	POSSIBLE CAUSE	SUGGESTED SOLUTION RECOMMENDED
The vacuum does not start up	<ul style="list-style-type: none">- No power supply- Circuit breaker tripped	<ul style="list-style-type: none">- Check that there is voltage in the socket- Check the electric plug and power cord- Reset the circuit breaker- Contact the DEPURECO technical service centre
The vacuum gauge indicates an irregular negative pressure	<ul style="list-style-type: none">- Clogged filter	<ul style="list-style-type: none">- - Shake the filter. Should this not be enough, replace it.
	<ul style="list-style-type: none">- Clogged suction hose	<ul style="list-style-type: none">- - Check the suction hose and clean it.
Motor excessively noisy	<ul style="list-style-type: none">- Faulty pump	<ul style="list-style-type: none">- Contact the DEPURECO technical service centre



5.6 Scrapping



To prevent damaging the environment in the event of scrapping, all the components of the vacuum must be disposed of responsibly in suitable landfills and in compliance with the standards in force - for Italy, Legislative Decree 152/2006 and subsequent amendments and additions.

Before scrapping the machine, the plastic and rubber materials must be separated from the electrical material.



Correct disposal of this product (electrical and electronic waste)

Electric and electronic components of this product must be disposed of in accordance with Italian Legislative Decree 151/2005 and subsequent amendments and additions. (Directive 2002/96/CE regarding WEEE - Waste Electrical and Electronic Equipment)



The parts of the vacuum made of plastic material, aluminium and steel can be recycled in appropriate centres.



If you have any doubt do not act by yourself!

Please call your retailer



MAINTENANCE LOG

INTERVENTION 1 Date

Technical Assistance

Type of intervention

Signature

INTERVENTION 2 Date

Technical Assistance

Type of intervention

Signature



MAINTENANCE LOG

INTERVENTION 3

Date

Technical Assistance

Type of intervention

Signature