

#JUSTOBEGLEAN



COMPACT EXTRACTOR



DEPURECO INDUSTRIAL VACUUMS SRL

CORSO EUROPA, 609 - 10088 VOLPIANO (TO) ITALIA
TEL. +39 011 98.59.117 FAX. +39 011 98.59.326
C.F. E P.I. 02258610357
DEPURECO@DEPURECO.COM WWW.DEPURECO.COM

- @DEPURECOINDUSTRIALVACUUMS
- @DEPURECO INDUSTRIAL VACUUMS
- @DEPURECO_INDUSTRIAL_VACUUMS
- @DVACUUMS

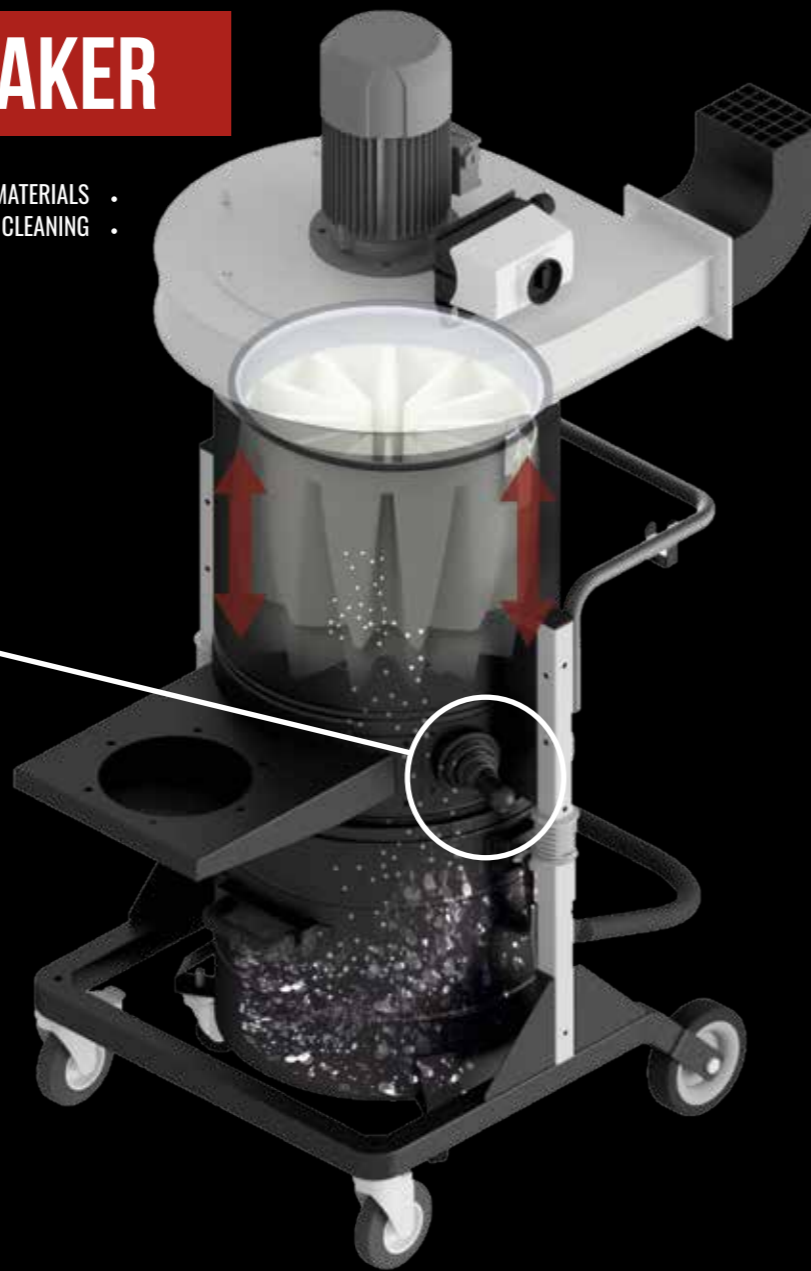


MANUAL SHAKER

STUDIED FOR SHAVINGS, GRANULES AND WET MATERIALS ·
HAND SHAKER SYSTEM FOR STAR FILTER CLEANING ·



SIMPLE AND EFFICIENT



PSC SYSTEM

STUDIED FOR SHAVINGS, GRANULES AND WET MATERIALS ·
SEMI - AUTOMATIC HAND SHAKER SYSTEM FOR STAR FILTER CLEANING ·



EFFICIENT AND RELIABLE

SP-SYSTEM

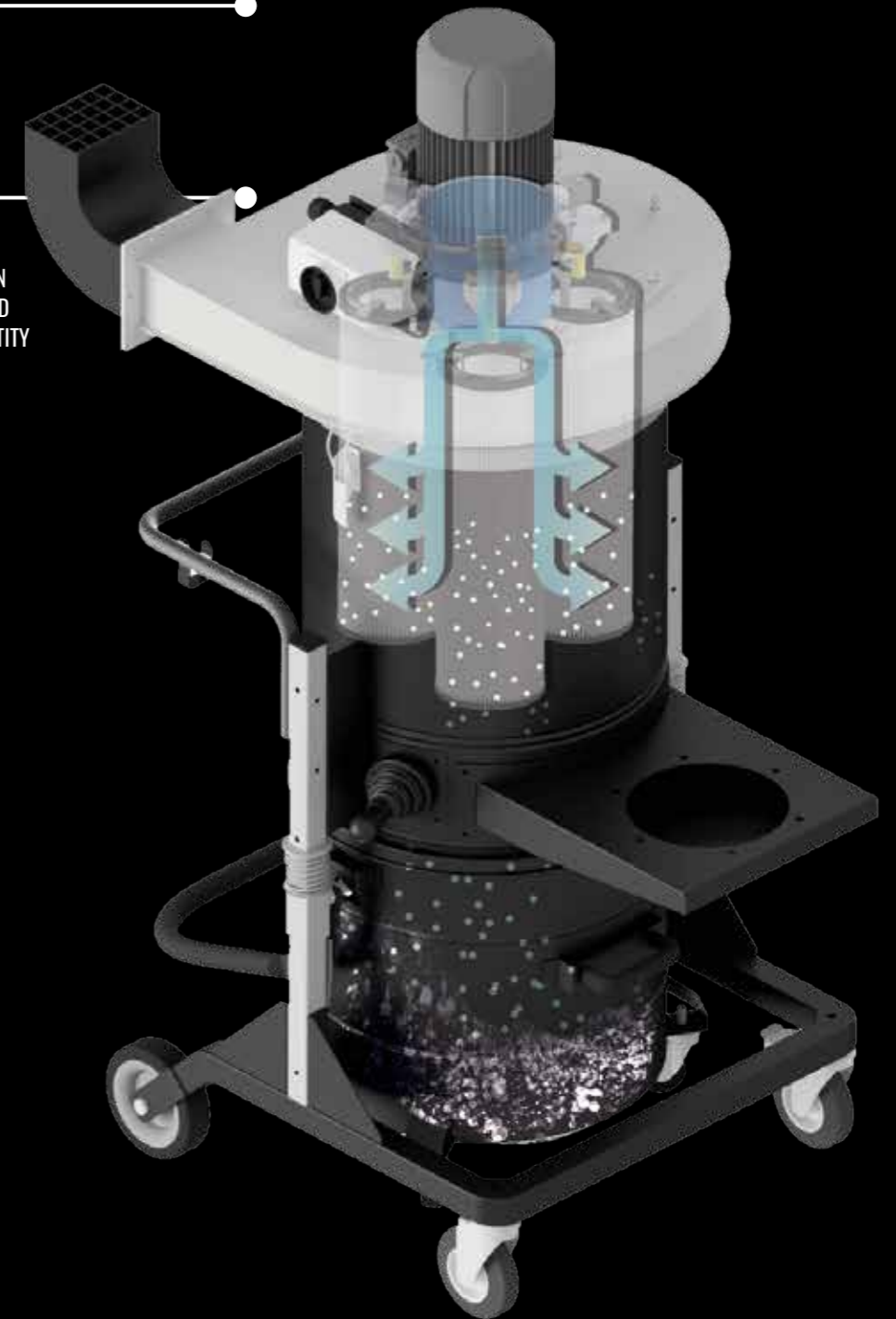
THE SP SYSTEM ALLOWS TO KEEP THE FILTER CLEAN
AUTOMATICALLY WITHOUT STOPPING THE VACUUM.
EACH FILTER IS CLEANED PERIODICALLY WITH A
COMPRESSED AIR JET.

THE SP SYSTEM IS PERFECT FOR BIG QUANTITIES OF
FINE AND DIFFICULT DUSTS.

CYCLICAL PROGRAMMER INSTALLED
ON THE VACUUM THANKS TO THE TOUCHSCREEN
IT IS POSSIBLE TO SET THE CLEANING CYCLE AND
ADJUST THE SYSTEM ACCORDING TO THE QUANTITY
AND THE KIND OF POWER.



CLEANING
THE FILTER
IS IMPORTANT



DF075



DF075

DF22



DF22

POWER	kW-HP	0,75 - 1
VOLTAGE FREQUENCY	V Hz	400 50/60
MAXIMUM VACUUM	mmH2O	180 160 130
AVAILABLE STATIC INLET PRESSURE	mmH2O	180 150 123
MAXIMUM AIR FLOW	m³/h	400 800 1000
INLET	Ø mm	70 100 120
SURFACE AREA	cm²	24.000
FILTRATION EFFICIENCY		CLASSE EN 60335-2-69 - M CLASS (1µ)
BIN CAPACITY	Lt	65 / 100

POWER	kW-HP	2,2 - 3
VOLTAGE FREQUENCY	V Hz	400 50/60
MAXIMUM VACUUM	mmH2O	352 350 350
AVAILABLE STATIC INLET PRESSURE	mmH2O	340 320 280
MAXIMUM AIR FLOW	m³/h	800 1000 1400
INLET	Ø mm	100 120 150
SURFACE AREA	cm²	24.000
FILTRATION EFFICIENCY		CLASSE EN 60335-2-69 - M CLASS (1µ)
BIN CAPACITY	Lt	65 / 100

STANDARD M CLASS STAR FILTER
SUITABLE FOR EVERY NEEDS



PSC
SEMI-AUTOMATIC
PNEUMATIC
FILTER SHAKER



SP SYSTEM
AUTOMATIC
REVERSE
JET CLEANING
SYSTEM



SUCTION
ARM

ABSOLUTE FILTER
HEPA H14

FILTRATION EFFICIENCY
OF 99,995 % OVER 0,18 µ



3 YEARS

WARRANTY

ORDER ALL REPLACEMENT FILTERS ALONG WITH THE VACUUM CLEANER
GET THE DEAL OF AN EXTENDED WARRANTY

DF40



DF40

DFFIX



POWER	kW-HP	4 - 5,5
VOLTAGE FREQUENCY	V Hz	400 50/60
MAXIMUM VACUUM	mmH2O	370 340 270
AVAILABLE STATIC INLET PRESSURE	mmH2O	300 270 200
MAXIMUM AIR FLOW	m³/h	1500 2100 2700
INLET	Ø mm	150 180 200
SURFACE AREA	cm²	45.000
FILTRATION EFFICIENCY		CLASSE EN 60335-2-69 - M CLASS (1µ)
BIN CAPACITY	Lt	65

POWER	kW-HP	DF FIX 55	DF FIX 75
		5,5 - 7,5	7,5 - 10
VOLTAGE FREQUENCY	V Hz	400 / 50 - 60	400 / 50 - 60
MAXIMUM VACUUM	mmH2O	517	575
AVAILABLE STATIC INLET PRESSURE	mmH2O	480	539
MAXIMUM AIR FLOW	m³/h	2700	3900
INLET	Ø mm	200	200
SURFACE AREA	cm²	45.000	45.000
FILTRATION EFFICIENCY		CLASSE EN 60335-2-69 - M CLASS (1µ)	CLASSE EN 60335-2-69 - M CLASS (1µ)
BIN CAPACITY	Lt	175	175

STANDARD M CLASS STAR FILTER
SUITABLE FOR EVERY NEEDS



PSC
SEMI-AUTOMATIC
PNEUMATIC
FILTER SHAKER



SP SYSTEM
AUTOMATIC
REVERSE
JET CLEANING
SYSTEM



SUCTION
ARM

ABSOLUTE FILTER
HEPA H14

FILTRATION EFFICIENCY
OF 99,995 % OVER 0,18 µ



3 YEARS

WARRANTY

ORDER ALL REPLACEMENT FILTERS ALONG WITH THE VACUUM CLEANER
GET THE DEAL OF AN EXTENDED WARRANTY

DF075



DF075

Z22



DF22



DF22

Z22



POWER	kW-HP	0,75 - 1
VOLTAGE FREQUENCY	V/Hz	400 / 50 - 60
MAXIMUM VACUUM	mmH2O	340 220 280
AVAILABLE STATIC INLET PRESSURE	mmH2O	180 160 130
MAXIMUM AIR FLOW	m³/h	400 800 1000
INLET	Ø mm	70 100 120
SURFACE AREA	cm²	24.000
FILTRATION EFFICIENCY		CLASSE EN 60335-2-69 - M CLASS (1µ)
BIN CAPACITY	Lt	65 / 100

POWER	kW-HP	2,2 - 3
VOLTAGE FREQUENCY	V/Hz	400 / 50 - 60
MAXIMUM VACUUM	mmH2O	352 350 350
AVAILABLE STATIC INLET PRESSURE	mmH2O	340 320 280
MAXIMUM AIR FLOW	m³/h	800 1000 1400
INLET	Ø mm	100 120 150
SURFACE AREA	cm²	24.000
FILTRATION EFFICIENCY		CLASSE EN 60335-2-69 - M CLASS (1µ)
BIN CAPACITY	Lt	65 / 100

STANDARD M CLASS STAR FILTER
SUITABLE FOR EVERY NEEDS



PSC
SEMI-AUTOMATIC
PNEUMATIC
FILTER SHAKER



SP SYSTEM
AUTOMATIC
REVERSE
JET CLEANING
SYSTEM



SUCTION
ARM

ABSOLUTE FILTER
HEPA H14

FILTRATION EFFICIENCY
OF 99,995 % OVER 0,18 µ



3 YEARS WARRANTY

ORDER ALL REPLACEMENT FILTERS ALONG WITH THE VACUUM CLEANER
GET THE DEAL OF AN EXTENDED WARRANTY

DF40



DF40

Z22

DFFIX



DFFIX

Z22

POWER	kW-HP	4 - 5,5
VOLTAGE FREQUENCY	V/Hz	400 / 50 - 60
MAXIMUM VACUUM	mmH2O	370 340 270
AVAILABLE STATIC INLET PRESSURE	mmH2O	300 270 200
MAXIMUM AIR FLOW	m³/h	1500 2100 2700
INLET	Ø mm	150 180 200
SURFACE AREA	cm²	45.000
FILTRATION EFFICIENCY		CLASSE EN 60335-2-69 - M CLASS (1µ)
BIN CAPACITY	Lt	65

POWER	kW-HP	5,5 - 7,5	7,5 - 10
VOLTAGE FREQUENCY	V/Hz	400 / 50 - 60	400 / 50 - 60
MAXIMUM VACUUM	mmH2O	517	575
AVAILABLE STATIC INLET PRESSURE	mmH2O	480	539
MAXIMUM AIR FLOW	m³/h	2700	3900
INLET	Ø mm	200	200
SURFACE AREA	cm²	45.000	45.000
FILTRATION EFFICIENCY		CLASSE EN 60335-2-69 - M CLASS (1µ)	CLASSE EN 60335-2-69 - M CLASS (1µ)
BIN CAPACITY	Lt	175	175

STANDARD M CLASS STAR FILTER
SUITABLE FOR EVERY NEEDS



PSC
SEMI-AUTOMATIC
PNEUMATIC
FILTER SHAKER



SP SYSTEM
AUTOMATIC
REVERSE
JET CLEANING
SYSTEM



SUCTION
ARM

**ABSOLUTE FILTER
HEPA H14**

FILTRATION EFFICIENCY
OF 99,995 % OVER 0,18 µ



3 YEARS WARRANTY

ORDER ALL REPLACEMENT FILTERS ALONG WITH THE VACUUM CLEANER
GET THE DEAL OF AN EXTENDED WARRANTY

DISCHARGE SYSTEMS



BALANCED FLAP



DISCHARGE SYSTEMS



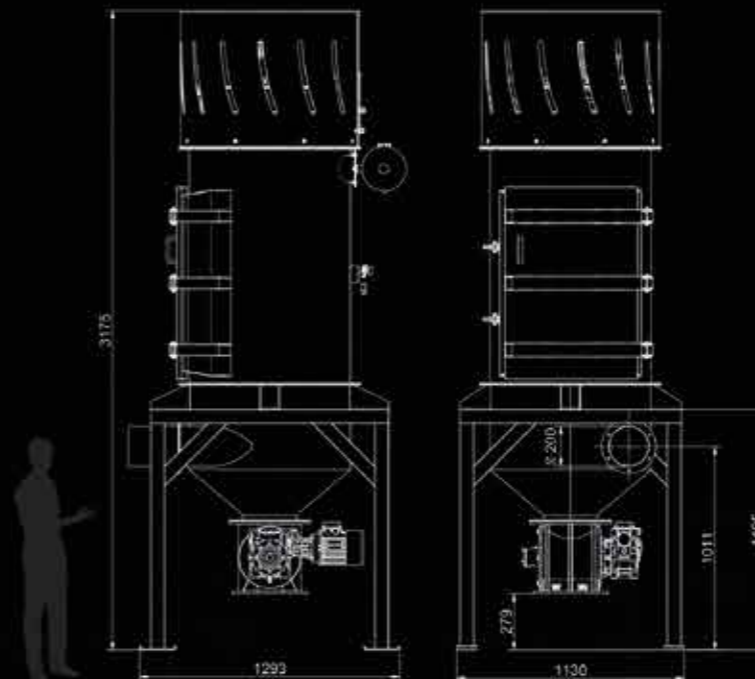
MANUAL DISCHARGE BUTTERFLY VALVE



DOUBLE ELECTRO PNEUMATIC DISCHARGING BUTTERFLY VALVE



ROTATING LEVEL SENSOR



DV AIR FLOW

		DV-AIR AF 40	DV-AIR AF 55
POWER	kW-HP	4 - 5,5	5,5 - 7,5
VOLTAGE FREQUENCY	V/Hz	400 50/60	400 50/60
MAXIMUM VACUUM	mm	340	517
AVAILABLE STATIC INLET PRESSURE	mm	270	480
MAXIMUM AIR FLOW	m ³ /h	2200	2700
INLET	Ø mm	200	200
SURFACE AREA	cm ²	340.000	340.000
FILTRATION EFFICIENCY		CLASSE EN 60335-2-69 - M CLASS (1µ)	CLASSE EN 60335-2-69 - M CLASS (1µ)



SP SYSTEM

AUTOMATIC REVERSE JET CLEANING SYSTEM



3 YEARS

WARRANTY

ORDER ALL REPLACEMENT FILTERS ALONG WITH THE VACUUM CLEANER
GET THE DEAL OF AN EXTENDED WARRANTY

FILTER SOLUTIONS

TYPE OF FILTERS

"M" CLASS STAR FILTER



FINE DUSTS, GRANULES, SHAVINGS AND DRY MATERIALS

ANTISTATIC "M" CLASS STAR FILTER



FINE DUSTS, GRANULES, SHAVINGS AND MATERIALS TENDING TO BE ELECTROSTATICALLY CHARGED. STANDARD ON ALL ATEX MODELS

NOMEX STAR FILTER



DUSTS AND SOLIDS WITH TEMPERATURES UNTIL 250°C

ACTIVATED CARBON FILTER



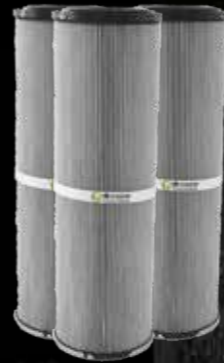
8KG ACTIVATED CARBON ELIMINATES BAD SMELLS

PTFE STAR FILTER



VERY FINE AND CLOGGING DUSTS, HYGROSCOPIC AND WET MATERIALS, CERTIFIED FOR FOOD

M CLASS CARTRIDGE



BIG QUANTITIES OF FINE AND CLOGGING DUSTS, AVAILABLE ON ALL SP VERSIONS, AUTOMATIC REVERSE JET CLEANING



FILTRATION EFFICIENCY OF 99,995 % OVER 0,18 µ

SUCTION ARMS

TYPE OF ARMS

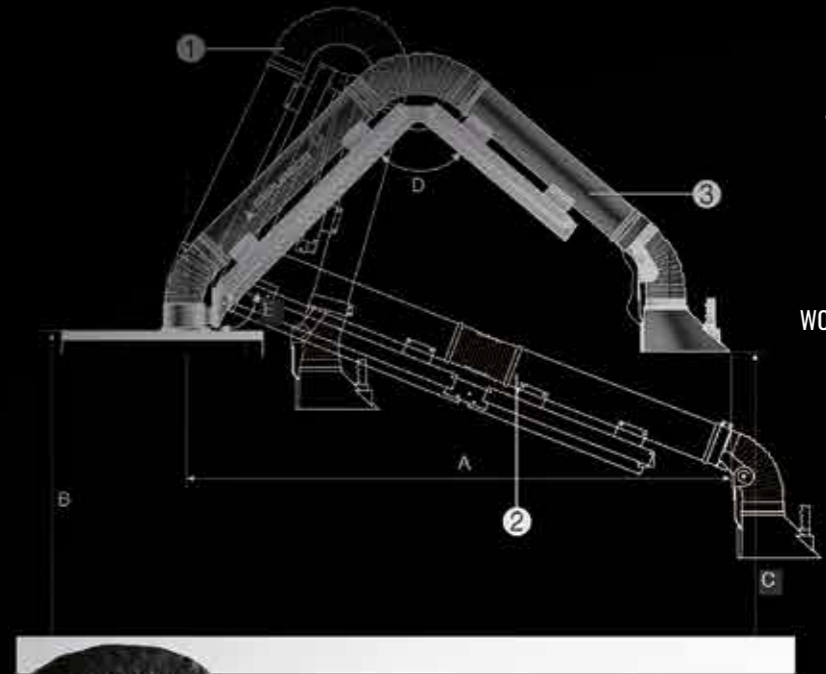
ARTICULATED ARM L = 300 Ø160MM

TROLLEY VERSION

CLOSED ARM 1 640 MM

OPEN ARM 2 2600 MM

WORKING POSITION 3 2300 MM



ARTICULATED ARM L = 300 Ø150MM

