

COMPACT ALL-IN-ONE ACCESSORY HOLDER



ALL-IN-ONE COMPACT
SOLUTION



RETROFITTABLE



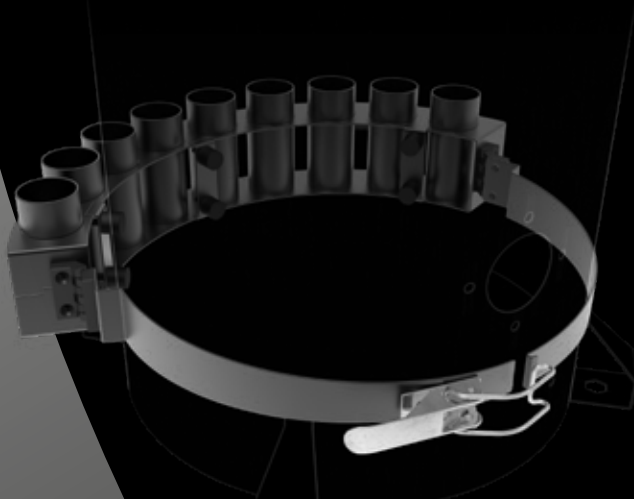
EASY TO INSTALL



COMPACT ALL-IN-ONE ACCESSORY HOLDER

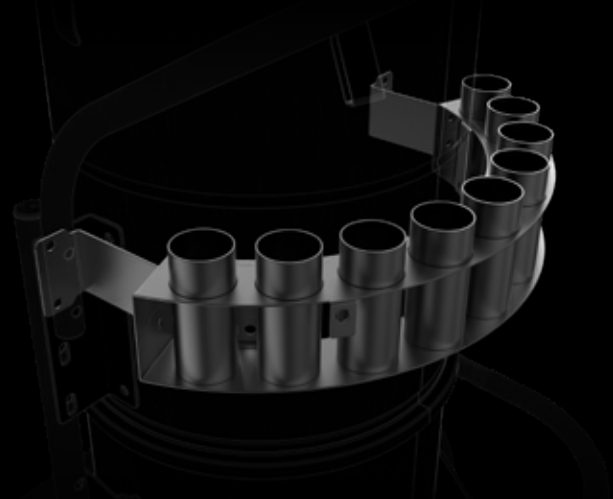
Keep your cleaning tools organized and within reach. This compact unit securely carries up to 9 pieces, including your poles and attachments.

EASY TO INSTALL



1 Metal Clamp Version: Features a metal band with a secure front latch for frameless vacuums.

- M PRO SERIES
- BL PRO SERIES

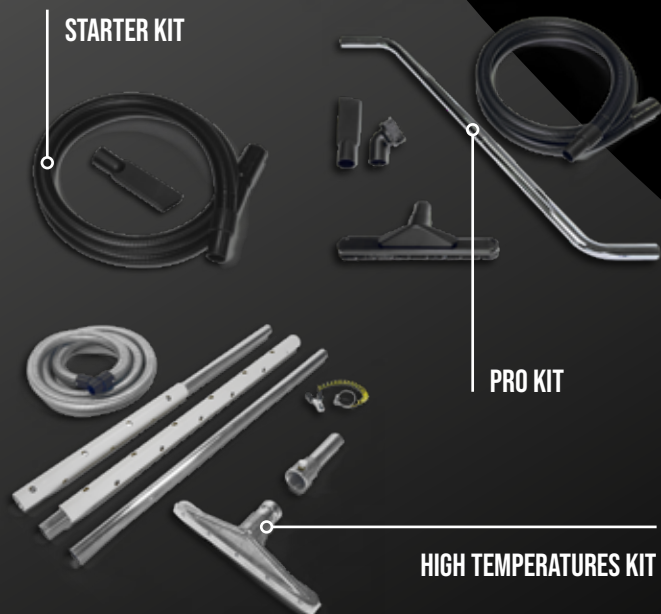


2 Frame-Mount Version: Attaches directly to the structural frame of equipped vacuums.

- XM SERIES
- BL SERIES
- MINIBULL SERIES
- ECOBULL XM SERIES
- TB SERIES

SUITABLE FOR ALL Ø 40 mm ACCESSORIES

Ø 40 mm CLEANING KITS



HEIGHT CLEANING KITS

