

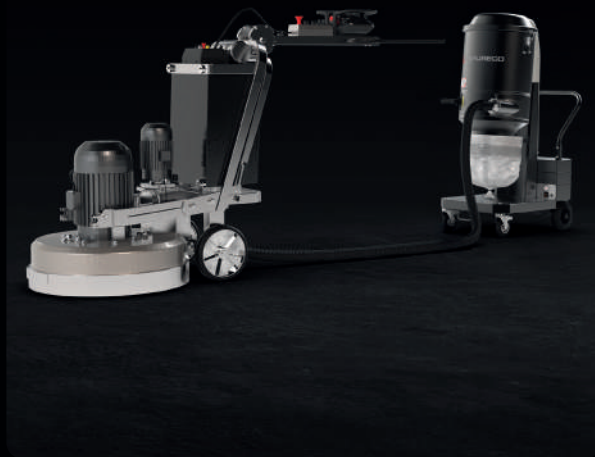
X-FLOOR

INDUSTRIAL VACUUM FOR HAZARDOUS DUST



SAFE AND CERTIFIED INDUSTRIAL VACUUM FOR HAZARDOUS DUST

Industrial vacuums are essential for safely extracting toxic and harmful dust due to their specialized filtration systems which capture hazardous particles, protecting workers during their daily job. Exceptional filtration, robust construction and safe disposal features further minimize exposure risks and ensure regulatory compliance.



Effective removal of hazardous dust



Maximum safety for the operator



Compact and user-friendly design

CERTIFIED SAFETY



Depureco cares about the safety of those who use its products. That's why it is committed to certifying its vacuums through third-party organizations to ensure the highest quality and safety standards.



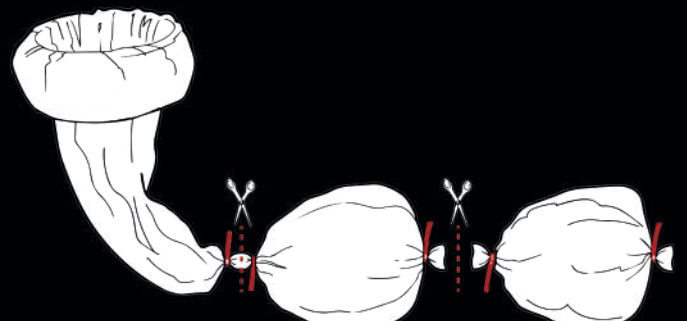
THIRD PARTY CERTIFICATION
IEC 60335-2-69:2021 ANNEX AA

XFLOOR H Vacuum cleaners have been certified for safe H-class dust extraction, according to **IEC 60335-2-69:2021 ANNEX AA**, ensuring maximum safety when handling hazardous dust. This certification guarantees compliance with strict filtration and efficiency standards, protecting both the work environment and operators from exposure to harmful dust.

ENDLESS BAG

Avoid contact with hazardous dust and work safely with Depureco's Endless Bag system. It securely contains dust collected during operations in a continuous bag, ensuring safe and easy disposal.

HOW IT WORKS



3,9 Kw
POWER

24.000 cm²
FILTER

Endless bag
CAPACITY

STANDARD M CLASS FILTER



Filter surface
24.000 cm²

H14 HEPA FILTER
(H-class dust certified units)



28.000 cm²

OPTIONAL TELESCOPIC SYSTEM

Height reducing system to compact the unit.



3 POWERFUL BY-PASS MOTORS

230V | 50/60 Hz
Max vacuum= 250 mBar
Max Airflow= 570 m³/h



MANUAL FILTER CLEANING SYSTEM

Easily clean the filter with an ergonomic system.

Ergonomic handle for easy lifting.



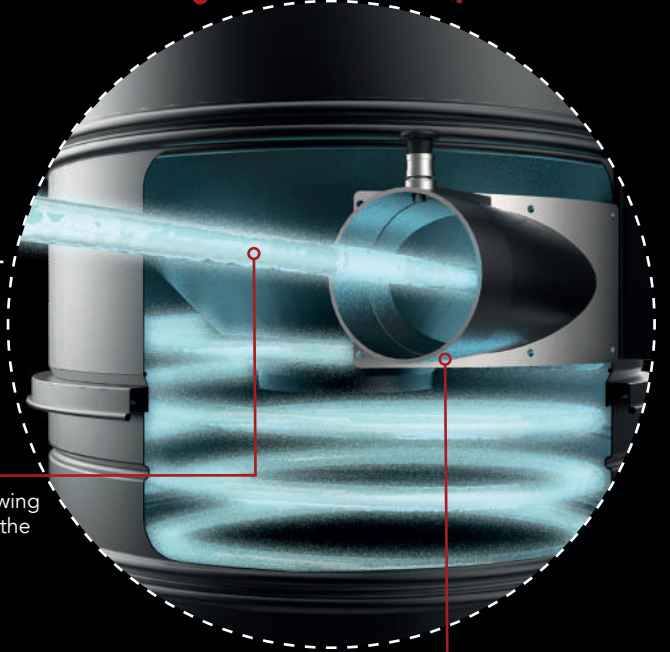
Endless Bag bagging system

Control panel

Switch for sequential start of the motors with pressure gauge.



CYCLONIC SYSTEM



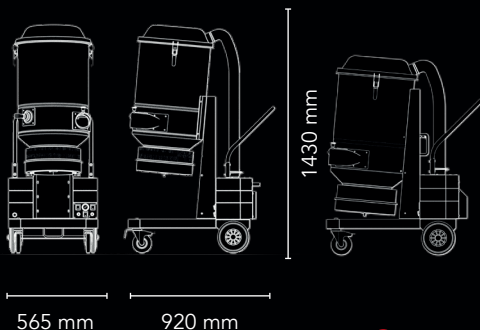
CYCLON FOR FILTER PROTECTION

The metal cyclone helps slowing down the dust and protects the filter

EFFICIENT CYCLONIC EFFECT

The dust, entering the vacuum, experiences a cyclonic effect that slows down the powder making it fall into the Endless Bag bagging system.

HIGHLY TRANSPORTABLE



565 mm

920 mm

1430 mm

1170 mm

Weight: 70 Kg

SPEC SHEET



	Units	X-FLOOR 3 H	X-FLOOR 3 H PLUS	X-FLOOR 3	X-FLOOR 3 PLUS
Motors Type		Singlephase	Singlephase	Singlephase	Singlephase
Power	Kw HP	3,9 5,2	3,9 5,2	3,9 5,2	3,9 5,2
Voltage Frequency	V Hz	230 50/60	230 50/60	230 50/60	230 50/60
Maximum vacuum	mBar	250	250	250	250
Maximum air flow	m³/h	570	570	570	570
Inlet	Ø mm	80	80	80	80
Noise level - (EN ISO 3744)	dB(A)	72	72	72	72
Bin capacity	Lt	Endless bag	Endless bag	Endless bag	Endless bag
Dimensions	mm	980 X 565	980 X 565	920 X 565	980 X 565
Height	mm	1730	1730	1430	1730
Compressed height (telescopic opt.)	mm	1170	1170	1170	1170
Weight	kg	80	80	70	80
Primary filter					
Type		Star filter	Star filter	Star filter	Star filter
Surface area	cm²	24.000	45.000	24.000	45.000
(Class EN 60335-2-69)		M Class	M Class	M Class	M Class
Media		Polyester	Polyester	Polyester	Polyester
Filter cleaning		Manual	Manual	Manual	Manual
Absolute filter					
Surface area	cm²	28.000	28.000	---	---
(Class - EN 1822)		H14	H14	---	---
Media		Fiberglass	Fiberglass	---	---

OPTIONAL FILTERS



BFL
M class filter 38.000 cm²



ANT M
Antistatic filter 24.000 cm²



MTF
Teflon filter 24.000 cm²



PTFE
PTFE filter 24.000 cm²



Absolut Filter H14
Fiberglass 28.000 cm²

OPTIONAL



GRD
Grounding



TELESCOPIC CHASSIS
To reduce the footprint and facilitate transportation.
Compressed height: 1170 mm

ACCESSORIES



Wet & Dry kit 50 mm
P11887



Starter kit 50 mm
P12350



Longopac Pre-Separator
P12371



Cyclonic Pre-Separator
45/65/100 Lt
P13821/13935/13936