

USER MANUAL AND MAINTENANCE



SERIES **M OIL**

TRANSLATION OF ORIGINAL INSTRUCTIONS

Depureco Industrial Vacuums Srl

Company subject to management and coordination COFISE spa

Via Venezia, 32 - 10088 Volpiano (TO)

Tel. +39 011 98.59.117

Fax. +39 011 98.59.326

www.depureco.com

depureco@depureco.com

depureco@documentipec.com

C.F. and P.I. 02258610357 - **Capital stock:** € 25,000 i.v.

Turin Business Register - **R.E.A.** TO-1149668

Registration **WEEE** No. IT18090000010711



INDEX

1. INFORMATION SECTION	7
1.1. Preface	7
1.2. Identification of major parts	9
1.3. Optional parts	10
1.4. Manufacturer identification data	10
1.5. Name plate	10
1.6. Intended uses	10
1.7. Allowable environmental conditions	11
1.8. Noise level	11
1.9. Technical Data	12
1.10. Warranty	13
2. SAFETY SECTION	15
2.1. Safety information	15
2.2. Safety prescriptions	15
2.3. Safety plates and symbols	18
2.4. Residual risks	20
2.5. Directives applied	20
3. HANDLING, UNPACKING AND INSTALLATION SECTION	21
3.1. Handling	21
3.2. Unpacking	22
3.3. Installation	23
4. OPERATION SECTION	25
4.1. Command description	25
4.2. Duty cycle	27
4.3. Air speed control	28
4.4. Operation to drain liquids from the container	29
4.5. Operation to remove solids from the container	31
4.6. Storage - decommissioning	32



5. MAINTENANCE SECTION	33
5.1. Informational Notes	33
5.2. General safety standards	33
5.3. Primary filter replacement	35
5.4. Wash or replace the washable filter	36
5.5. Cleaning the container	38
5.6. If something doesn't work	39
5.7. Scrapping	40



DECLARATION OF CONFORMITY



DECLARATION OF COMPLIANCE

The manufacturer:

DEPURECO INDUSTRIAL VACUUMS S.r.l. – Via Venezia, 32 – 10088 Volpiano (TO) – ITALY |

Phone. +39 011 98 59 117 – **Fax** + 39 011 98 59 326 – **Tax code.** | **VAT REG. NO.**

02258610357

e-mail: depureco@depureco.com – www.depureco.com

hereby declares

under their sole responsibility that the vacuum cleaner model described in this manual



To which this declaration refers, complies with the essential safety requirements provided by the **Machinery Directive 2006/42/EC**, the **Directive 2014/30/EU** regarding Electromagnetic Compatibility and the **Directive 2011/65/EU - ROHS** - regarding restriction of the use of certain hazardous substances in electrical and electronic appliances.

The conformity has been verified in accordance with the requirements mentioned by the Standards:

EN 60335-1

EN IEC 61000-3-2:2019

EN IEC 63000:2018

EN 60335-2-69

EN 55014-2:2015

The Harmonised Standards applied for the design, manufacture and testing of the vacuum cleaner are listed in a technical file stored at the technical department of DEPURECO S.r.l. premises.

The production control was carried out by Notified Body No. **0474 RINA Services S.p.a**

This declaration shall become invalid if modifications on the vacuum cleaner are carried out without approval from the manufacturer.

First issue: 15 June 2019

Revision 01: 16 October 2023

Revision 02: 26 April 2024


The Legal Representative
Marco Devincentis

Depureco Industrial Vacuums Srl
Società soggetta a direzione e coordinamento CONFISE spa

PERFORMANCE ON VACUUM SINCE 1972

Via Venezia, 32 - 10088 Volpiano (TO)
Tel. +39 011 98.59.117
Fax +39 011 98.59.326

www.depureco.com
depureco@depureco.com
depureco@documentipec.com

C.F. e P.I. 02258610357
Registro Imprese di Torino - **R.E.A.** TO-1149668
Capitale Sociale: € 25.000 i.v.





1. INFORMATION SECTION

IMPORTANT - The term and logo DEPURECO in this document refer to and are the property of DEPURECO INDUSTRIAL VACUUMS S.r.l.

This document is the exclusive property of DEPURECO S.r.l. Therefore, its reproduction by any means (graphic, computer, etc.), partial or total, is prohibited without the authorization of the Company Management.

1.1. PREFACE

Dear Customer

Thank you for choosing DEPURECO, and congratulations on selecting a DEPURECO M OIL series fume hood.

We have prepared this manual to enable you to fully appreciate the quality of this machine.

We recommend reading it thoroughly before using the product for the first time.

It contains important information, tips and warnings for the use and maintenance of the vacuum cleaner that will help you take full advantage of the technical features of your machine.

It is recommended to read carefully the messages, warnings and directions, preceded by the symbols:



For the safety of people.



For the integrity of the aspirator.



For the preservation of the environment.

This manual describes the following models:

- M70 OIL
- M100 OIL
- M130 OIL P

Machines are classified according to their degree of dust filtration efficiency:

- L (light risk): in vacuum cleaners with a class L filter, the maximum degree of dust penetration is less than 1 percent (Degree of penetration < 1 %);
- M (medium risk): in vacuum cleaners with M filter, the maximum degree of dust particle penetration is less than 0.1 percent (Degree of penetration < 0.1 %);
- H (high hazard): in vacuum cleaners with filter H, the maximum degree of dust particle penetration is less than 0.005% (Degree of penetration < 0.005 %); This vacuum cleaner is designed to perform vacuuming, cleaning and collection operations of solid materials (dust and processing residues).

This specific model has undergone strict testing to ensure maximum reliability; its smooth operation and longevity will depend on good maintenance and careful use.



This manual is an integral part of the vacuum cleaner and must accompany it, until it is scrapped. In case of loss or damage, a replacement copy should be requested from DEPURECO INDUSTRIAL VACUUMS S.r.l. (hereafter referred to simply as DEPURECO).

The technical information contained in this manual is the property of DEPURECO and should be considered confidential in nature.

Reproduction, even in part, of the graphic design, text and illustrations is prohibited by law.

Some details depicted in the illustrations in this manual may differ from those in your vacuum cleaner, as some components may have been removed in order to ensure maximum clarity of the illustrations.

The topics covered in this manual, are those expressly required by the Machinery Directive 2006/42/EC and the technical data given are derived from the technical file stored at DEPURECO.

In compliance with Regulation 1907/2006/EC (REACH), DEPURECO declares that its products do not contain any of the substances, so-called substances of very high concern - SVHC i.e. Substances of Very High Concern - listed in the Candidate List.

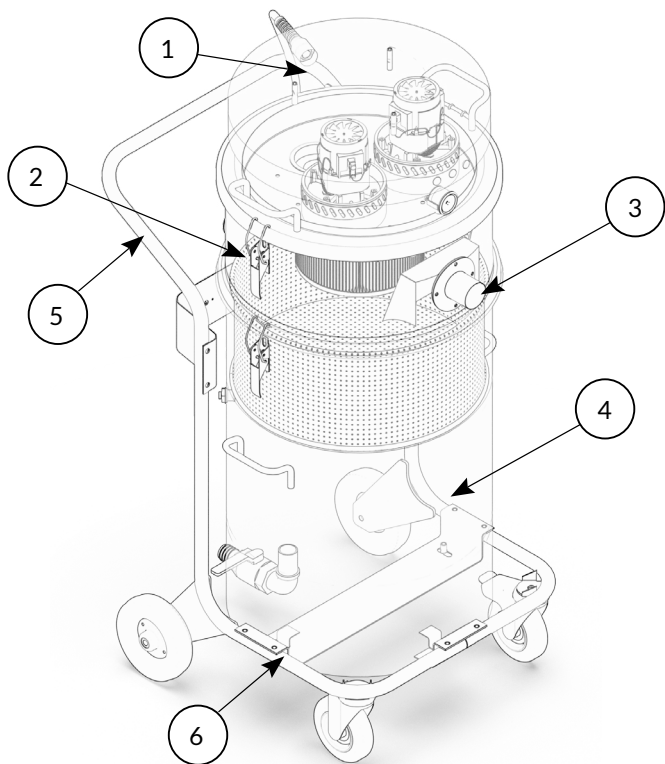
This manual can be accessed via the QR code affixed to the vacuum cleaner or via the website www.depureco.com. Alternatively, contact the manufacturer Depureco. The manual should be made available to all personnel responsible for operating and maintaining the vacuum cleaner. For any dispute, the Court of Turin (Italy) shall have jurisdiction.

The QR code with the manual must accompany the vacuum cleaner in case of resale!

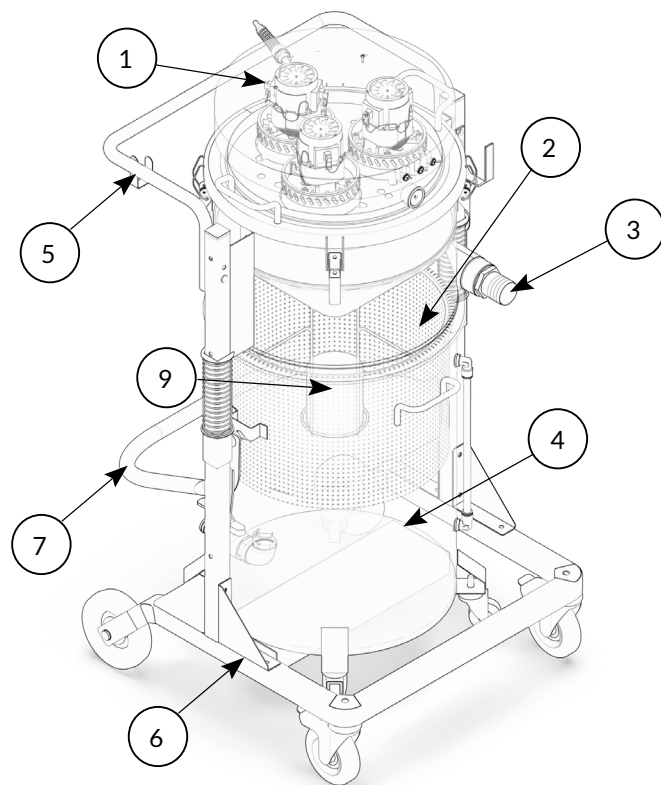


1.2. IDENTIFICATION OF MAJOR PARTS

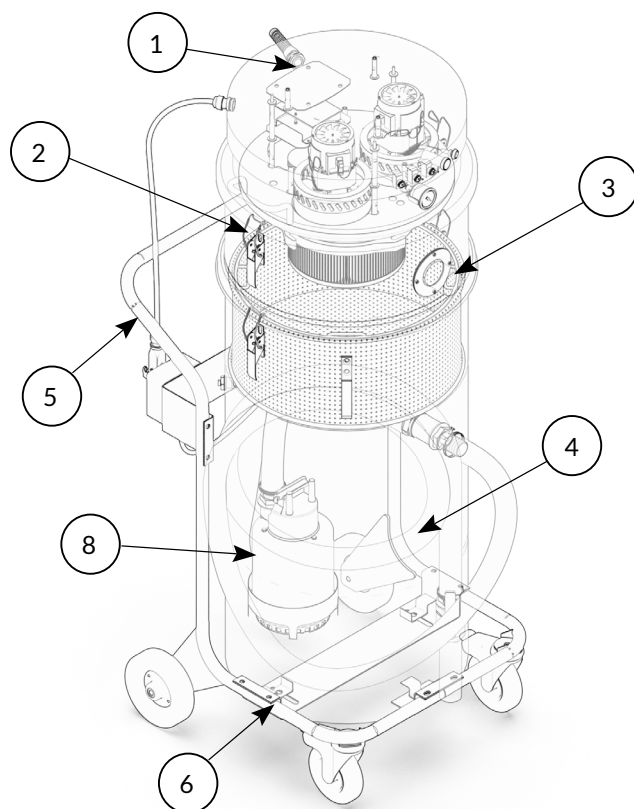
M70 OIL



M100 OIL



M130 OIL P



- 1. Motor control units with on/off controls
- 2. Filter chamber
- 3. Suction nozzle
- 4. Collection container
- 5. Handle for handling the vacuum cleaner
- 6. Frame
- 7. Lever for releasing and attaching the container
- 8. Drain pump (if equipped)
- 9. Float



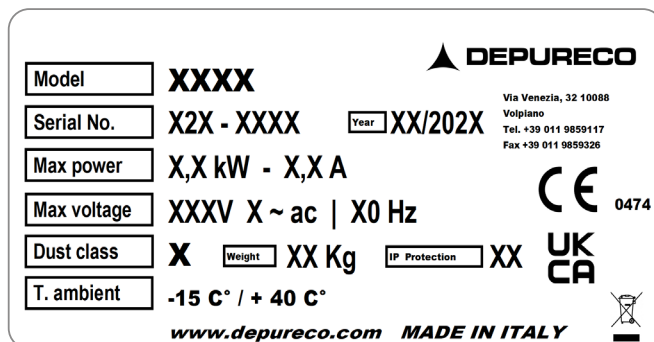
1.3. OPTIONAL PARTS

Depending on the vacuum cleaner's application, a wide range of other optional accessories is available from DEPURECO.

1.4. MANUFACTURER IDENTIFICATION DATA

Depureco Industrial Vacuums S.r.l.
Via Venezia 32, 10088, Volpiano (TO), Italy
tel: +39 011 98 59 117 fax: +39 011 98 59 326 P.I. 02258610357
e-mail: depureco@depureco.com
website: www.depureco.com

1.5. NAME PLATE



1.6. INTENDED USES

These vacuum cleaners are manufactured according to the Machinery Directive 2006/42/EC, are designed to be used by a single operator and are intended for:

- to industrial use, such as in manufacturing plants or warehouses;
- To the suction of oils, coolants, emulsions and chips **non-flammable and non-harmful**;

WARNING

Where there is the presence of combustible dust and/or flammable gases in the workplace, it is the responsibility of the Employer to make the classification of the area and choose a Category machine (as defined in Directive 2014/34/EU).

Any other use is considered **NON-COMPLIANT** with the intended use.



1.7. ALLOWABLE ENVIRONMENTAL CONDITIONS

To ensure proper operation of the vacuum cleaner, it must be placed in a location protected from the elements (rain, hail, snow, fog, airborne dust, etc.), with an ambient temperature between -15 °C and 40 °C and humidity not exceeding 70%.

The work environment should be clean and adequately bright.

1.8. NOISE LEVEL

Phonometric tests carried out on this specific vacuum cleaner model show a sound pressure level of:

Machine	Noise level
M70 OIL	70 dB(A)
M100 OIL	72 dB(A)
M130 OIL P	70 dB(A)

CAUTION

- For sound pressure levels above 85 dB(A), workers must be protected by appropriate personal protective equipment (PPE), such as approved individual hearing protectors.
- For such conditions, it is necessary to provide workers with training and information on the risks of noise exposure.



1.9. TECHNICAL DATA

	Unit of measurement	M70 OIL	M100 OIL	M130 OIL P
Weight	[kg]	48	71	53
Dimensions	[mm]	565 x 770	700 x 450	565 x 770
Height	[mm]	1210	1400	1415
Voltage / Frequency	[V] - [Hz]	230 - 50/60	230 - 50/60	230 - 50/60
Power	[Watt] - [HP]	2600 - 3,5	3900 - 5,2	2600 - 3,5
Suction mouth diameter	[Ø mm]	50	50	50
Motors type		2x By-Pass	3x By-Pass	2x By-Pass
Max vacuum / Continuous vacuum	[mBar]	- / 250	- / 250	- / 250
Max air flow rate	[m ³ /h]	380	570	380
Primary filter		Grilled basket	Grilled basket	Grilled basket
Primary filter capacity	[L]	40	50	40
Secondary filter		PET filter bag*	PET filter bag	PET filter bag*
Secondary filter capacity	[L]	40	40	40
Secondary filter efficiency	[µm]	150	150	150
Oleophobic filter		Oleophobic cartridge	Oleophobic cartridge	Oleophobic cartridge
Noisiness	[dB(A)]	70	72	70
Liquid capacity	[L]	70	100	130
Exhaust type		Gravity	Gravity	Submersible pump

* = filter, cartridge, and/or optional component

The vacuum cleaner can be equipped with the following filters, distinguished between the supplied and optional filters:

	OIL-REPELLENT CARTRIDGE	WASHABLE FILTER BAG 150 µm	DISPOSABLE NON-WOVEN FILTER BAG, 100 µm
M70 OIL	●	○	-
M100 OIL	●	●	○
M130 OIL P	●	○	-

● = filter supplied with the vacuum cleaner
○ = optional filter



1.10. WARRANTY

DEPURECO guarantees this model of vacuum cleaner for a period of 12 months from the date of purchase, indicated on the fiscal document at the time of delivery of the product. The warranty shall be void if the vacuum cleaner has been repaired by unauthorized third parties or if equipment, accessories or components not supplied or authorized by DEPURECO or for which the serial number is found to have been removed (during the warranty period) are used. DEPURECO agrees to repair or replace free of charge those parts or components that within the warranty period are proven to be defective from manufacture.

Repairs are carried out exclusively at our premises or at the Service Center indicated by us and must be received carriage paid (freight charges to be paid by the user, unless otherwise agreed).

The warranty does not cover the cleaning of working organs.

The purchase tax document must be shown to the authorized technical personnel performing the repair or must accompany the vacuum cleaner in shipment. Defects not clearly attributed to material or manufacture will be investigated exclusively at our office or at our designated Technical Service Center. Should the claim prove to be unjustified, all costs of repair and/or replacement of parts, will be charged to the purchaser.

Excluded from the warranty are: accidental damage due to transportation, carelessness or inadequate handling, improper use, not in accordance with the warnings in this booklet, or arising from phenomena not dependent on normal use/operation of the vacuum cleaner.

DEPURECO is not liable for any personal injury or property damage resulting from improper or incorrect use of the vacuum cleaner.

For any dispute, the Court of Turin (Italy) shall have jurisdiction.





2. SAFETY SECTION

2.1. SAFETY INFORMATION

Pursuant to Legislative Decree 81/08 and subsequent additions and amendments, the Head of the Safety has an obligation to train, inform and educate workers on the hazards involved in vacuum cleaner use so that they are able to protect their own and others' safety.

Failure to observe basic safety regulations or precautions, could result in an accident during the use, maintenance and repair of the vacuum cleaner. An accident can often be avoided by recognizing potential dangerous situations before they occur. Proper training is the basic prerequisite for this.

DEPURECO cannot under any circumstances be held responsible for accidents or damage resulting from the use of the vacuum cleaner by personnel who have not been adequately instructed or who have misused it, as well as from failure to comply, even partially, with the accident prevention regulations and intervention procedures contained in this manual.

Safety precautions and warnings are given in this manual and on the product itself. Failure to pay attention to these warning messages can result in accidents with serious consequences for oneself and other people.

DEPURECO carefully designs and manufactures the equipment and its accessories, identifying and compensating for all possible risks associated with its use. In the event that tools, procedures, working methods or techniques are used, which are not explicitly provided for by DEPURECO, it will be necessary to ascertain in advance, that there are no dangers to oneself and others, with DEPURECO's responsibility remaining excluded in any case.

WARNING

Use only original Depureco spare parts. We disclaim any responsibility for the use of non-original spare parts.

2.2. SAFETY PRESCRIPTIONS

WARNING

The directions below play an important role in completely preserving you from all the hazards you may encounter when operating the vacuum cleaner.

However, they will not be able to be separated from the competence and common sense of those who work, as an overall framework for careful accident prevention.

Additional safety requirements specific to different operations are listed in each section.

Prior to use, operators should receive the necessary training in the use of the machine and information on the substances for which it is to be used, including safe methods for removal and disposal of collected material.

Commissioning - connection to the power grid:

- Before commissioning, make sure the vacuum cleaner has no obvious damage.
- Before connecting the inlet, make sure the air hoses are properly positioned (for vacuum cleaners equipped with counter-current air cleaning system). Carry out the operation in a safe area free of explosive atmospheres.
- Before connecting the vacuum cleaner to the mains, make sure that the voltage indicated on the nameplate matches the mains voltage.
- Plug the power cord into an outlet with properly installed grounding contact/connection. Make sure the vacuum cleaner is turned off.
- Mains cable plugs and connectors must be protected from water splashes.



- Check for proper connection to the power grid.
- Ensure that the grounding clamp is properly connected, to a point for which continuity with the grounding system is guaranteed.
- Use only vacuum cleaners with mains connection cables in perfect condition in order to avoid the danger of electric shock.
- Regularly check for damage and signs of wear, cracking, or aging of the grid connection cable.

During operation, avoid:

- Step on, crush, pull or damage the power connection cable.
- Disconnect the cable from the mains only by pulling the plug (do not pull the cable itself).
- When replacing the power supply cable, replace it with one of the same type as the original one installed.
- The power cord must be replaced by the manufacturer's Service Department or equivalent qualified personnel.

It is absolutely forbidden:

- Use of this vacuum cleaner by persons who are not adults and properly trained.
- Make the electrical connection to a network without an efficient grounding.
- Outdoor use in the presence of atmospheric precipitation.
- The use and storage of the vacuum cleaner outdoors in humid conditions.
- The use of the vacuum cleaner in the absence of the appropriate lock placed on the rotating wheel during vacuuming operations.
- The use of the vacuum cleaner placed on unlevel and non-horizontal surfaces.
- Use in corrosive environments.
- Roll or bend the hose during suction.
- For ATEX versions and models, the use of hoses that are not antistatic in the mass (only surface antistaticity is not allowed).
- The use of original DEPURECO accessories is recommended. Check with an ohmmeter for electrical continuity:
 - between nozzle and end of suction accessories: the resistance detected must be less than $100M\Omega$ (for ATEX versions and models);
 - between container and plug (ground pin) in the case of electric machine, or between container and grounding wire (supplied) in the case of compressed air models: the resistance detected must be: less than 10Ω (for models and versions where compressed air supply is provided).
- Use of the machine in unclassified working environments according to the information on the machine's nameplate.
- Vacuum the following materials:
 - burning materials (embers, hot ashes, lit cigarettes, etc.);
 - open flames;
 - combustible gases;
 - Flammable, combustible, aggressive liquids (gasoline, solvents, acids, alkaline solutions, etc.);
 - Explosive and spontaneously igniting dusts/substances and/or mixtures thereof (magnesium powders, etc.).
- Prolonged contact with solvents and inhalation of their vapors.
- Use near open flames or heat sources; then ensure adequate ventilation.
- The use of the exhaust fan in rooms where the suitable air exchange rate is not guaranteed, in the case where exhaust air is recirculated in the said room. To meet the required limit values, the recirculation volume flow rate must not exceed 50% of the volume of fresh air.
- Tamper with or change the limiting valve set by the manufacturer (in models where present).
- Do not use the JetClean cleaning system in the presence of potentially explosive clouds in the atmosphere (for models and versions where this cleaning system is provided).
- Perform maintenance on the industrial vacuum cleaner in ATEX classified areas (for ATEX models and versions).
- Perform maintenance on the vacuum cleaner without first turning off the machine and unplugging the



electrical plug from the outlet.

- Keep foreign materials such as debris, oil, tools and other objects inside the container that could damage operation and cause personal injury.
- The use of flammable or toxic solvents such as gasoline, benzene, ether and alcohol for cleaning.
- Use without the filter unit provided by the manufacturer.
- The use of the industrial vacuum cleaner in the absence of safety devices or with such devices inefficient
- The use of the industrial vacuum cleaner with guards and guards not in place.
- Insert hands inside the container positioning guides and between the container and the vacuum cleaner during the operation of Inserting and locking the debris container under the vacuum cleaner itself: movement of the lifting handle can cause fingers to be crushed. Therefore wear gloves when removing the suction head, filter unit or del collection container.
- Open the container with the vacuum cleaner running.
- Open the container in the area classified as potentially explosive.
- Continue to keep the vacuum cleaner activated and powered through the mains plug in case of prolonged work breaks after use.
- Add extension lines, plug-in connection devices and adapters.
- Get on the vacuum cleaner.
- Move the vacuum cleaner while it is running.
- Wear loose or dangling garments such as ties, scarves, torn clothing that can snag or be sucked up by the vacuum cleaner.
- Touch electrical wires, switches, buttons, etc. with wet hands.
- Touching, while using the industrial vacuum cleaner, some components (motor terminal board, motor body in particular) that may reach high temperatures.

WARNING

This vacuum cleaner may contain dust that is harmful to health.

Emptying and maintenance procedures, including the disposal of dust collection containers, should be carried out only by trained personnel wearing appropriate protective equipment.

This manual should always be available for reference on the planned operating cycle and whenever there is any doubt.

If it is lost or damaged, a replacement copy should be requested from DEPURECO.



2.3. SAFETY PLATES AND SYMBOLS

Labels with safety symbols and/or messages are attached to the vacuum cleaner and packaging. At these pages their exact location and nature of the hazard is indicated.

WARNING

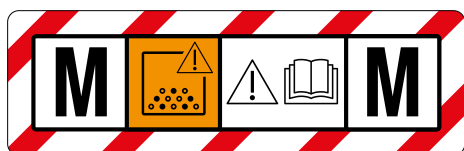
The nameplates and symbols below are indicative and may not be applicable to the models in the vacuum cleaner series described. The presence of each symbol will vary according to the specifications of the series and/or individual model.

WARNING

Ensure that all safety messages are legible. The user is required to immediately replace any safety plates that become illegible due to wear and tear or damage.

Clean them using a cloth, soap and water. Do not use solvents, naphtha or gasoline. Replace damaged plates by requesting them from DEPURECO.

If a nameplate is on a part that is being replaced, make sure a new nameplate is attached to the new part.



This sticker indicates that the device can vacuum dust up to class M.



This sticker indicates that the device can vacuum dust up to class H.



This sticker indicates the manual filter cleaning system.



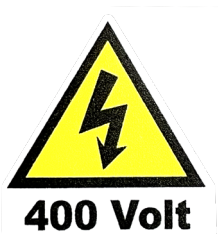
This sticker warns of the danger of crushing limbs.



This sticker indicates that the vacuum cleaner is grounded.



This sticker indicates the supply voltage of the vacuum cleaner.



This sticker indicates the supply voltage of the vacuum cleaner.



Hexagon Ex - ATEX Directive 2014/34/EU
This sticker indicates that the vacuum cleaner is certified for use in hazardous areas (for dedicated models and versions).



This sticker indicates that the device can vacuum combustible dust in areas not classified as ATEX (for dedicated models and versions).

WARNING

Read the operation and maintenance manual carefully before using the vacuum cleaner or performing maintenance work.

It is strictly forbidden to remove the safety labels on the vacuum cleaner and/or its components and packaging.

DEPURECO accepts no responsibility for the safety of the vacuum cleaner if this prohibition is not observed.



2.4. RESIDUAL RISKS

DEPURECO recommends strict adherence to the instructions, procedures and recommendations in this manual and to current safety regulations. In addition, DEPURECO recommends the use of the prescribed protective equipment, either integrated into the vacuum cleaner or individual.

In this view, the residual hazards analyzed that are present on the vacuum cleaner and/or its components may be:

Electrical hazards in maintenance due to the need to work under voltage

Pursuant to Legislative Decree 81/08-Articles 80 to 87-it is forbidden to work under voltage, except for the exceptions stipulated in that decree.

Risk of misuse in the presence of liquid, deflagrating and flammable substances

The vacuum cleaner should not be used in an environment containing liquid substances or in the form of liquids that can vaporize at room temperature, flammable dusts, gases.

Risks of operating in a humid environment

Comply with the limits given in this manual in Section 1.7 "Allowable Environmental Conditions."

Risk of misinterpretation of safety pictograms

With reference to the analysis of risks and their identification, DEPURECO has installed hazard labels from the regulations on graphic symbols on the vacuum cleaner.

The user is required to immediately replace any safety plates that become illegible

Due to wear and tear or damage.

2.5. DIRECTIVES APPLIED

The following guidelines apply to the vacuum cleaner described in this manual:

- 2006/42/EC - Machinery Directive.
- 2014/30/EU - Electromagnetic compatibility directive.
- 2011/65/EU - ROHS - Directive on the restriction of the use of certain hazardous substances in electrical and electronic equipment.
- 2014/35/EU - Low Voltage Directive.
- 2014/34/EU - ATEX Directive (for ATEX models and versions).

Regulatory references, including mandatory requirements, are managed in the Quality Management System and archived at DEPURECO.

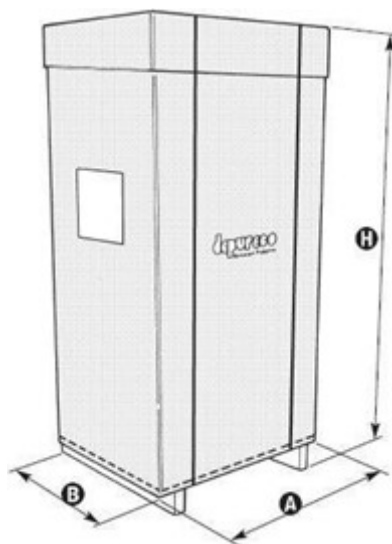


3. HANDLING, UNPACKING AND INSTALLATION SECTION

3.1. HANDLING

The instructions that follow also indicate the steps to be taken in case the vacuum cleaner should be newly packed or unpacked for later transport.

Packaging size:



	MU.	A	B	H
M70 OIL	[cm]	75	100	150
M100 OIL	[cm]	75	100	150
M130 OIL P	[cm]	75	100	150

Lifting and subsequent handling of the vacuum cleaner should be done only by a forklift of appropriate capacity for the weight.

When moving with the forklift, lift the load 200 mm off the ground and swing backward.

When lifting loads, take into account the height of the environment in which you are working.

Before starting the movement make sure the passage area is clear and that there are no moving objects on the package. For lifting and handling, apply current accident prevention laws and normal forklift driving instructions.

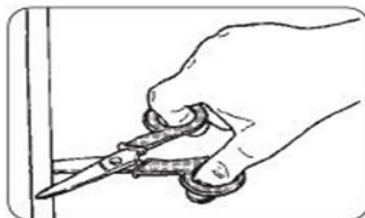
Move the device only at walking pace and, on sloping paths, in twos if necessary.



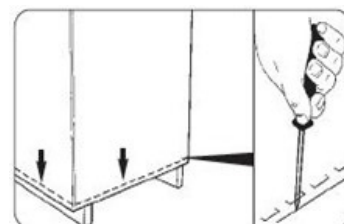
3.2. UNPACKING

To perform unpacking of the machine:

- Cut the fixing tapes.



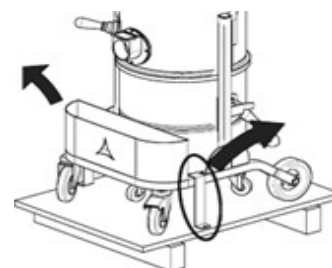
- Remove the retainers with the help of a hammer and screwdriver.



- Unwrap the cardboard packaging.



- Remove all fasteners provided by the manufacturer at packing stage using appropriate tools.



Remove the machine from the support platform by helping yourself with a ramp of suitable capacity and leading the vacuum from the handle.

Conduct these operations on flat, horizontal surfaces. The load-bearing capacity of the support surface must be adequate for the weight of the machine.

Provide ample space around the plant in order to operate with freedom of movement and to allow easy operations by operators in anticipation of future maintenance work.

WARNING

Depureco is not liable for any damage caused to the machine during lifting if the proper equipment is not used.

WARNING

For possible subsequent transport, the vacuum cleaner should be anchored to the support platform by means of a locking system similar to that described above.

WARNING

Dispose of packaging materials in accordance with current legislation.



3.3. INSTALLATION

! WARNING!

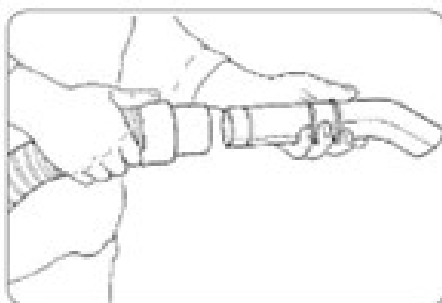
Before proceeding to install the vacuum cleaner, it is necessary to comply with what is stated in Section 2.2 "Safety Requirements."

! WARNING!

Before installing the vacuum cleaner, it is necessary to make a careful prior visual inspection in order to detect any damage incurred during transportation.

If one or more components are found to be damaged, it is essential not to proceed further with the installation and to report the anomaly found to Depureco, agreeing with it on the action to be taken. The machine arrives with the planned filter unit already installed.

- Insert the hose equipped with a terminal into the appropriate suction nozzle (Part.2 section 1.2).
- Insert the desired accessory for the suction type from the opposite side of the hose.

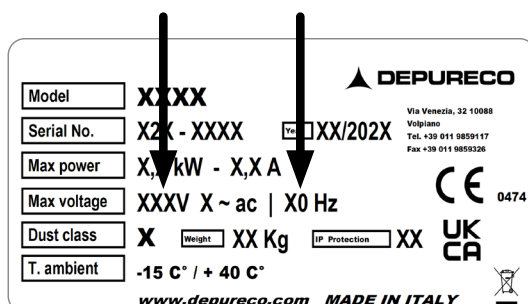


Note: The hose with its terminals and suction accessories are not included in the STANDARD equipment. Contact your dealer (or DEPURECO) for information regarding the different types of OPTIONAL accessories that can be used for this specific vacuum cleaner model.

! WARNING

The following operation should be carried out by an electrical technician.

Verify that the electrical supply line matches the voltage and frequency indicated on the vacuum cleaner nameplate and that it is efficiently grounded.



- Finally, insert the plug (standard equipment) into the power outlet.



⚠ WARNING

The power outlet to power the vacuum cleaner must be protected by a CE-compliant mains disconnect switch.

⚠ WARNING

Do not insert the plug into the outlet with wet hands. The use of extension cords is not allowed. Before attaching the vacuum cleaner to the power outlet, make sure:

- The power cord is intact and in perfect condition.
- The voltage of the supply line corresponds to that marked on the nameplate data label of the vacuum cleaner.
- The power plug is properly inserted into the power outlet.
- The hose is properly inserted and locked into the suction nozzle.
- The container should be regularly in place and locked on the vacuum.
- The liquid discharge tube is inserted into the nozzle and secured by suitable clamp as in the figure.



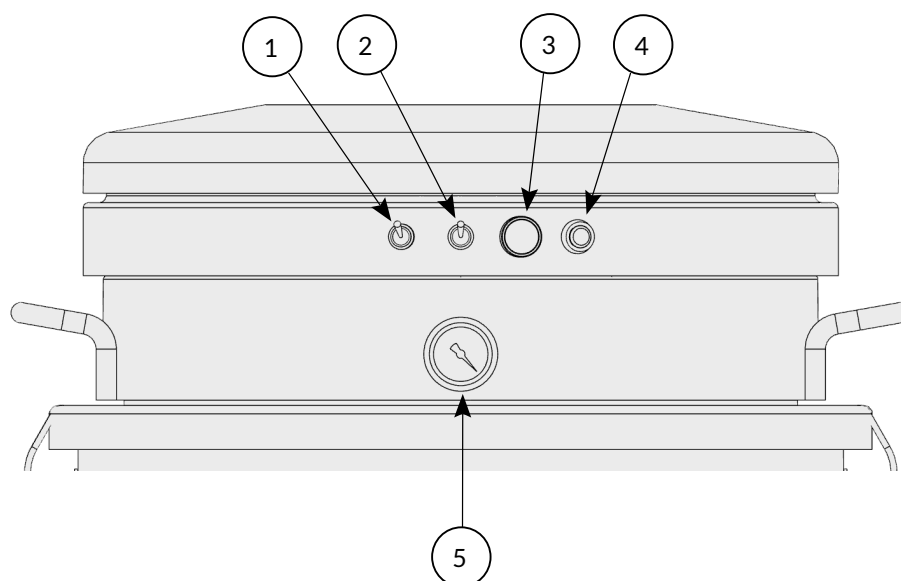
4. OPERATION SECTION

4.1. COMMAND DESCRIPTION

WARNING

- Before proceeding to use the vacuum cleaner, it is necessary to comply with what is stated in Section 2.2 "Safety Requirements."
- Only authorized personnel who have read these operating and maintenance instructions are allowed to use the vacuum cleaner. The user of the equipment and the maintenance technician who carry out permissible work on the vacuum cleaner must receive appropriate education, information and training, as required by current labor safety laws, and use for the various operations, the prescribed personal protective equipment (PPE), such as safety footwear, gloves, goggles, mask, etc. The user must observe the current regulations for sucked materials and their disposal.
- Before a new work cycle, the personnel in charge must verify that the normal safe operating conditions of the vacuum cleaner and, in particular, the safety devices and protective guards involved in the operation are ensured.
- In case of prolonged work breaks and after use is over, turn off the appliance from the appliance switch and unplug the mains plug.

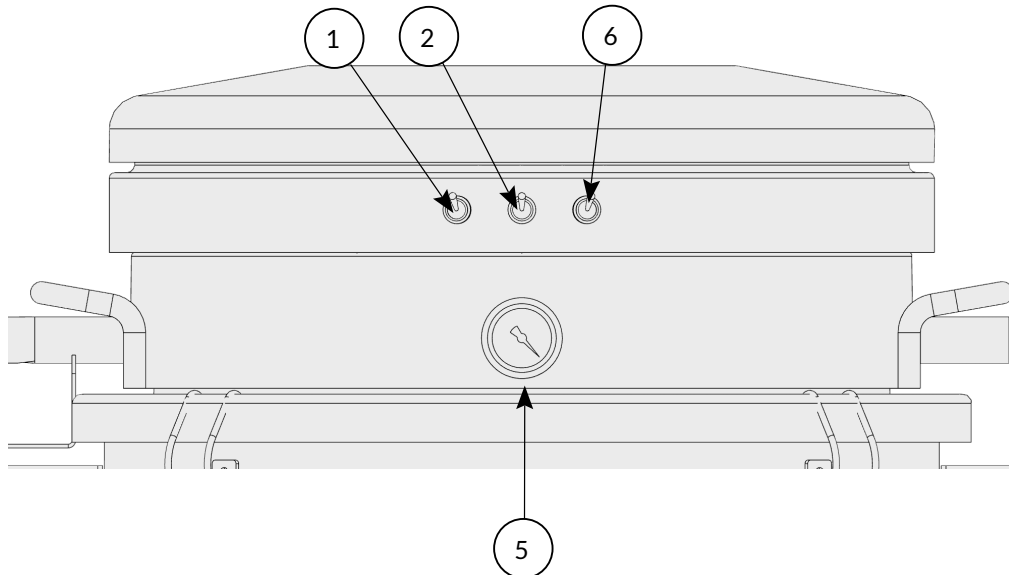
M70 OIL



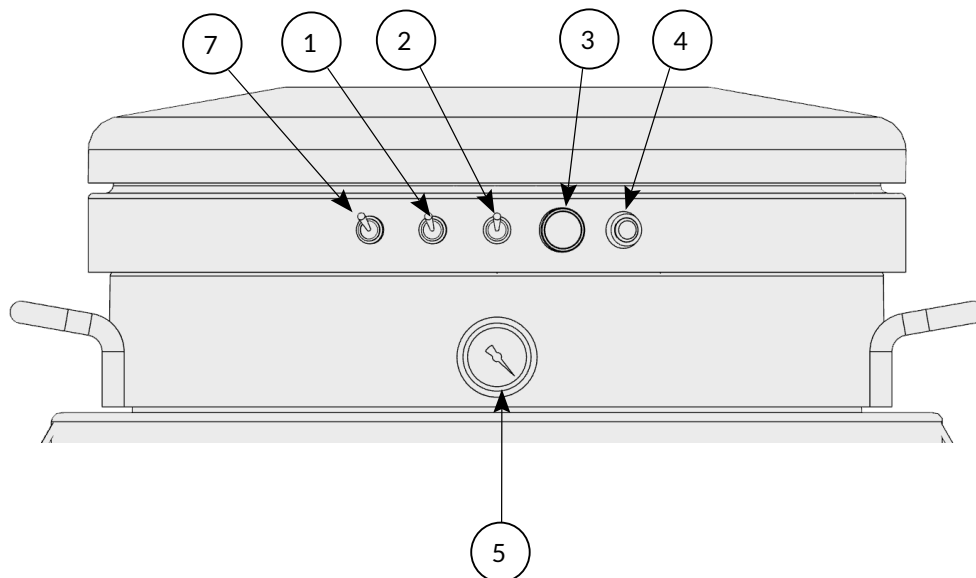
1. Switch ON-OFF first motor
2. Switch ON-OFF for the second motor
3. Blue light RESET AFTER REACHING MAX LEVEL
4. Red indicator light MAX CONTAINER LEVEL
5. Vacuum meter FILTER CLOGGING
6. Switch ON-OFF third motor
7. Switch ON-OFF discharge pump



M100 OIL



M130 OIL P



1. Switch **ON-OFF** first motor
2. Switch **ON-OFF** for the second motor
3. Blue light **RESET AFTER REACHING MAX LEVEL**
4. Red indicator light **MAX CONTAINER LEVEL**
5. Vacuum meter **FILTER CLOGGING**
6. Switch **ON-OFF** third motor
7. Switch **ON-OFF** discharge pump



4.2. DUTY CYCLE

Before starting the aspiration, it is necessary to comply with what is stated in Section 2.2 "Safety Requirements." Specifically:

- Make sure the power cord is not damaged and is in perfect condition.
- Before plugging in the power outlet, make sure that the voltage of the power line matches that indicated on the nameplate data label of the appliance.
- Make sure the power plug is properly inserted into the power outlet.
- Ensure that the suction arm or hose is properly inserted and locked into the suction nozzle.
- Ensure that the debris collection container (if any) is properly positioned and locked under the vacuum cleaner chamber.
- Ensure that the Endless Bag collection system (where fitted) is properly positioned and locked under the vacuum cleaner chamber and that the bag segment is ready for use.

WARNING

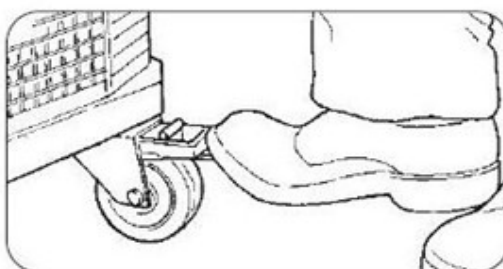
To move the vacuum cleaner, use the handles provided (Part 5, Section 1.2).

WARNING

Do not move the vacuum cleaner while it is in operation.

To start suction, proceed as follows:

- Lock the vacuum cleaner by means of the lever on the turning wheel, as shown in the figure.



- Grip the end of the hose with the chosen suction attachment or place the end of the suction arm at the suction point.

M70 OIL - M130 OIL P

- Press one of the switches (Parts 1 and 2, Section 4.1) and start the suction process.
- For greater suction power, you can activate the second motor by flipping the other switches.
- To turn off the vacuum cleaner, the previously activated switches must be turned off.
- During suction, when the maximum liquid level is reached, the red indicator light will come on (Part 4, Section 4.1) and the machine will automatically stop suction; consequently, you will need to drain the liquid from the tank (see section 4.3)

M100 OIL

- Press one of the switches (Parts 1, 2, and 6, Section 4.1) and start the suction process.
- For more suction power, the second and/or third motor can be activated by operating the other switches.
- To turn off the vacuum cleaner, the previously activated switches must be turned off.
- During suction, stop the suction process once the maximum liquid level has been reached; you will then need to drain the liquid from the tank (see section 4.4)



ATTENZIONE!

The M100 OIL model is fitted with a float (Part 9, Section 1.2) which must always be correctly positioned within its cage. Before each use, it is essential to check that it is correctly positioned and to ensure that it shows no signs of wear or damage. The float allows for safe suction of oils and, when the maximum liquid level is reached, closes the suction chamber, thereby preventing the oils from reaching the suction head.

ALL MODELS

WARNING

Avoid stepping on, crushing, pulling or damaging the mains connection cable during operation. Avoid disconnecting the cable from the mains only by pulling the plug (do not pull the cable itself). When replacing the mains cable, replace it only with one of the same type as the original one installed. Replacement must be done by the manufacturer or equivalent qualified personnel.

Those responsible for plant safety must ensure that:

- Any improper use or maneuvering be avoided.
- Safety devices are not removed or tampered with.
- Regular maintenance work is carried out.
- Machine parts (attachments, drilling, etc.) are not modified for any reason to fit additional devices.
- Only original Depureco spare parts should be used.
- Be prevented from rolling or bending the hose during the suction operation.

4.3. AIR SPEED CONTROL

A vacuum gauge (Part 5, Section 4.1) is mounted on the front of the unit (on models where provided) to indicate the level of vacuum inside the vacuum cleaner. As the vacuum increases, the suction power decreases proportionally.

If the pressure drops to 220 mbar, immediate action must be taken.

- Check the hose and/or suction accessory for clogging and eliminate the cause of clogging.
- Stop work and replace filters.

WARNING

Do not use the vacuum cleaner with a clogged filter.



4.4. OPERATION TO DRAIN LIQUIDS FROM THE CONTAINER

! WARNING

Wear appropriate PPE (dust mask, latex gloves, goggles, etc.).

M70 OIL

To completely drain any remaining liquid from the container, use the special hose for manual drainage, which is attached to the base of the container and secured to the vacuum cleaner's frame with a clip.

! WARNING

Place a suitable container at the outlet of the drain pipe and direct the flow into the container to prevent liquids from being released into the environment and to avoid soiling the work area

! WARNING

Vacuuming can only resume once the container has been emptied.

To resume suction, proceed as follows:

- Turn off the motor switches (Parts 1 and 2, Section 4.1).
- Press the blue button (Part 3, Section 4.1) to reset the high-level status.
- At this point, the red indicator light (Part 3, Section 4.1) turns off.
- Follow the steps described above to start the suction.

To move the vacuum cleaner, use the handle on the frame (Part 6, Section 1.2).

M100 OIL

To completely drain any remaining liquid from the container, use the manual drain valve located at the base of the container.

To empty the container, follow these steps:

- Turn off the motor switches (Parts 1 and 2, Section 4.1).
- Unplug the vacuum cleaner from the power source.
- Open the drain valve (D).



! WARNING

Place a suitable container at the outlet of the drain valve and direct the flow into the container to prevent liquids from spilling into the environment and soiling the work area

! WARNING

Vacuuming can only resume once the container has been emptied.

! WARNING

Close the ball valve before resuming suction.

To resume suction, proceed as follows:

- Close the drain valve (D).
- Plug the vacuum cleaner into an electrical outlet.
- Follow the steps described above to start the suction.



M130 OIL P

This model is equipped with two systems for draining liquids from the container: manual drainage and drainage using a dedicated pump.

To completely drain any remaining liquid from the container using the manual drain, use the special manual drain hose, which is attached to the base of the container and secured to the vacuum cleaner frame with a clip.

WARNING

Place a suitable container at the outlet of the drain pipe and direct the flow into the container to prevent liquids from being released into the environment and to avoid soiling the work area

To completely drain any remaining liquid from the container using the dedicated drain pump, proceed as follows:

- Open the valve lever as shown in the figure to allow the liquid to flow out.



WARNING

Place a suitable container at the outlet of the drain pipe and direct the flow into the container to prevent liquids from being released into the environment and to avoid soiling the work area

- Flip the drain pump switch (Part 7, Section 1.2) to start the drain pump.
- To stop the discharge, turn off the switch you previously turned on.

WARNING

Vacuuming can only resume once the container has been emptied.

WARNING

Close the ball valve before resuming suction.

WARNING

Do not use the vacuum cleaner in liquid-ejection mode with the drain valve closed. In this condition, failure to eject liquids could damage the drain pump.

To resume suction, proceed as follows:

- Turn off the motor switches (Parts 1 and 2, Section 4.1).
- Turn off the drain pump switch (Part 7, Section 4.1).
- Press the blue button (Part 3, Section 4.1) to reset the high-level status.
- At this point, the red indicator light (Part 3, Section 4.1) turns off.
- Follow the steps described above to start the suction.

For convenience, wrap the exhaust hose around the hook, and use the handle on the frame to move the vacuum cleaner (Part 6, Section 1.2).

ALL MODELS

WARNING

Waste disposal must be in accordance with the laws in force in the country where the vacuum cleaner is used - for Italy Legislative Decree 152/2006 as amended.



4.5. OPERATION TO REMOVE SOLIDS FROM THE CONTAINER

WARNING

The container should not only be emptied when full, but also at the end of each work cycle and before being transported. During this operation, use the appropriate PPE (gloves, dust mask, goggles, etc.).

WARNING

Depending on the type and quantity of material vacuumed, the debris container must be checked periodically to prevent it from becoming excessively full.

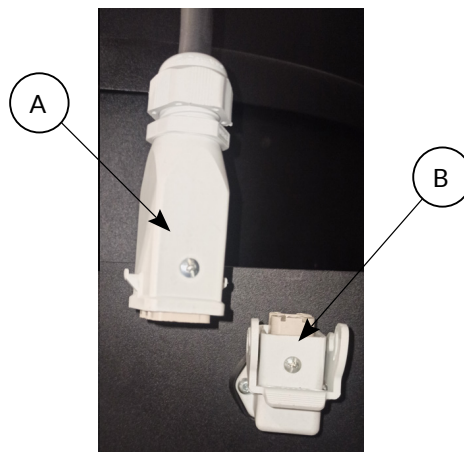
WARNING

Before proceeding with emptying, turn off the machine and lock the vacuum cleaner using the lever on the swivel wheel

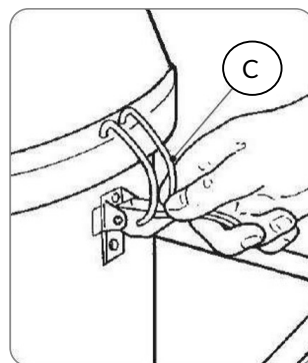
M70 OIL - M130 OIL P

To empty the container of solid residue, make sure the machine is turned off and proceed as follows:

- Remove the plug (A) from the detachable socket (B) located on the frame (Part 6, Section 1.2).



- Release the two clips (C) that secure the head (Part 1, section 1.2) to the chamber (Part 2, section 1.2) where the filter is housed.



- Remove the head and place it on the workbench.
- Unlock the two clips (C) that secure the chamber (Part 2, Section 1.2) to the housing (Part 4, Section 1.2), then remove the chamber.

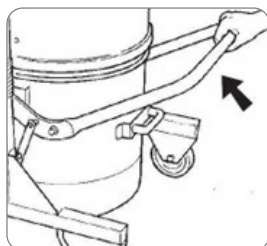


- Gently remove the basket from the container, then carefully remove any solid residue from the extracted liquid from both the basket and the container, if necessary.
- To reinstall and reassemble, follow the steps described above in reverse order.

M100 OIL

To empty the container of solid residue, make sure the machine is turned off and proceed as follows:

- Unplug the vacuum cleaner from the power source.
- Unlock the container by lifting the handle (Part 7, Section 1.2).



- Remove the vacuum cleaner's dustbin using the handle provided.
- Remove the inner cage (E) (including the float) from the container



- Use the handles on the sides to remove the basket (complete with a washable internal filter) from inside the container.
- Empty the basket of any debris inside it.
- To reinstall and reassemble, follow the steps described above in reverse order.

ALL MODELS

WARNING

If the container weighs more than 15 kg, you need to get help from another person.

WARNING

Waste disposal must be in accordance with the laws in force in the country where the vacuum cleaner is used - for Italy Legislative Decree 152/2006 as amended.

4.6. STORAGE - DECOMMISSIONING

Remove the filter and clean it, empty the debris collection container, and store it. Store the vacuum cleaner in a location protected from the elements, at temperatures between -15 °C and 40 °C, and cover it with a nylon sheet to prevent dust buildup.



5. MAINTENANCE SECTION

WARNING

Extraordinary maintenance of the vacuum cleaner should be carried out only by specialized technicians recognized by the DEPURECO dealer.

5.1. INFORMATIONAL NOTES

Maximum vacuum cleaner reliability and minimum maintenance cost are the result of a planned and scrupulously followed maintenance and inspection program throughout the life of the vacuum cleaner. It is important to:

- Strictly adhere to the established maintenance time intervals and cadence the maintenance work according to the specific needs in relation to the production cycle of the vacuum cleaner.
- Always use tools that are in perfect condition and specially made for the operation to be performed; the use of unsuitable and inefficient equipment can cause serious damage.
- Any other work that may be necessary to eliminate faults or malfunctions must be expressly authorized by the manufacturer.
- For major repairs, it is advisable to contact the authorized dealer whose trained staff, equipped with all the technological experience of the original factory construction, is always on call and able to take timely action.
- Disassembly, cleaning, and maintenance of the vacuum cleaner by the user should be carried out whenever possible without leading to hazards to maintenance personnel and third parties. Suitable precautionary measures include decontamination before disassembly, measures for filtered forced ventilation of the room where the unit is disassembled, cleaning of the maintenance area, and suitable personal protective equipment.
- The manufacturer or qualified person should perform, at least once a quarter (or more frequently depending on the working cycle and conditions of use), an inspection to the filters checking that they are not damaged, also check the proper functioning of the control devices.

WARNING

Following maintenance or repair work, all contaminated items that cannot be satisfactorily cleaned should be placed in waterproof bags and disposed of in accordance with applicable laws.

5.2. GENERAL SAFETY STANDARDS

WARNING

All maintenance, repair, or cleaning must be done with the plug disconnected from the power outlet (and the air disconnected for the CCA system). Appropriate PPE (protective clothing, goggles and/or gloves, etc.) must be worn depending on the work to be performed.

Affix a sign on the vacuum cleaner indicating:

"MACHINE UNDER MAINTENANCE DO NOT START"

Before resuming service, recheck the entire system in accordance with the start-up procedures. Perform a few test cycles after each maintenance operation to check that the machine is working properly. Failure to observe these precautions may result in serious injury to personnel. Maintenance work must be performed by technicians who are skilled and trained in the specific areas, which for this machine are:

- Mechanical maintenance.
- Electrical maintenance.

It is the specific duty of the **Head of Security** Ensure the professionalism and competence of the



aforementioned people.

Before starting a maintenance task, the Safety Officer must:

- Have the work area cleared of outsiders.
- Make sure the necessary tools are within reach of the maintainer and are in good condition.
- Ensure that the maintenance worker has the necessary personal protective equipment for the specific operation (gloves, goggles, shoes, mask, etc.).
- Ensure that the maintainer has carefully read the instructions in this manual and is fully familiar with the operation of the vacuum cleaner and its components.
- Check for sufficient lighting and provide 24-volt powered portable lamps if necessary.

Before starting maintenance work, the Maintainer must disconnect all electrical supplies and put the vacuum cleaner in a safety lockout condition and disconnect the connection to compressed air (where applicable).

WARNING

If it is absolutely necessary to operate with the power on, when required by D. Lgs. 81/08, the maintainer must keep a safe distance, have stop buttons within reach, and never put hands in the discharge volume. At the end of the intervention and before resuming service, the maintainer must recheck the functionality of safety devices and the integrity of protections.

Work on motors or other electrical components should be performed only by the specially trained Electrical Maintenance Worker authorized by the Safety Officer.

WARNING

After each maintenance work, the Safety Officer is obliged to ensure the safe condition of the vacuum cleaner and its protective devices.

Before each work shift:

- Check that the power cord and plug are not damaged: replace it immediately if it shows signs of wear and tear, using a cord of the same type (information c/o DEPURECO) - operation the sole responsibility of an electrician.
- Check the integrity of the safety symbols (pictograms) attached to the vacuum cleaner.
- Verify that the debris container/Endless Bag is empty and properly locked under the vacuum cleaner.
- Verify proper filter efficiency by checking the indicator light or vacuum gauge.
- Check the integrity of the suction hose and accessories to be used.

WARNING

The hose, if perforated, decreases the suction power and disperses dust into the air.



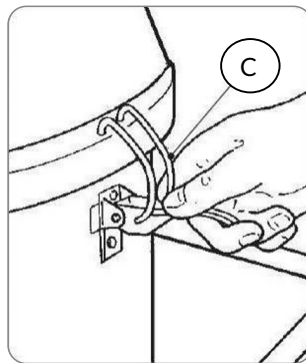
5.3. PRIMARY FILTER REPLACEMENT

WARNING

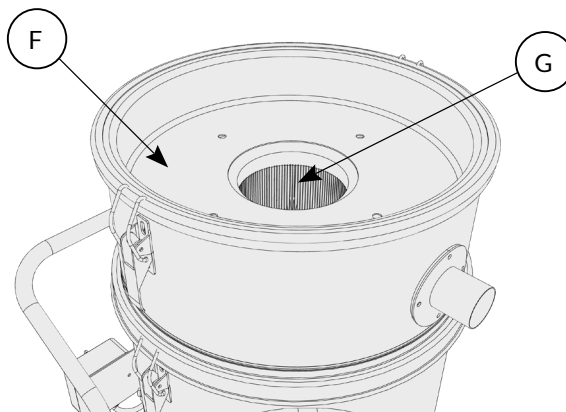
Wear appropriate PPE (dust mask, latex gloves, goggles, etc.).

For the filter replacement primary Operate as follows:

- Turn off the machine.
- Unplug the vacuum cleaner from the power source and, if present, remove the plug from the socket on the frame.
- Unlock the two clips (C) that secure the head.



- Remove the head and place it on the workbench.
- Lift the oil-repellent cartridge holder (F) and place it on the workbench.



- Unscrew the screws and remove the cartridge (G).

WARNING

Remove the filter, place it inside a plastic bag, close it and dispose of it according to current laws for the type of material sucked in.

 **USE ONLY ORIGINAL DEPURECO FILTERS!**

 **TO REASSEMBLE THE FILTER OPERATE THE FOLLOWING OPERATIONS.**



5.4. WASH OR REPLACE THE WASHABLE FILTER

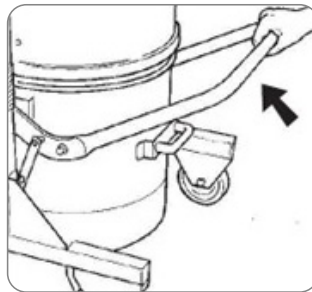
WARNING

Wear appropriate PPE (dust mask, latex gloves, goggles, etc.).

M100 OIL

For the cleaning or replacing the filter washable Operate as follows:

- Turn off the machine.
- Disconnect the vacuum cleaner from the power supply.
- Unlock the container by lifting the handle (Part 7, Section 1.2).



- Remove the vacuum cleaner's dustbin using the handle provided.
- Remove the inner cage (E) (complete with float) from the container.



- Use the handles on the sides to remove the basket (complete with a washable internal filter) from inside the container.
- Empty the basket of any debris inside it and remove the washable filter.
- Rinse the filter with water; if rinsing does not clear the blockage, the filter must be replaced.

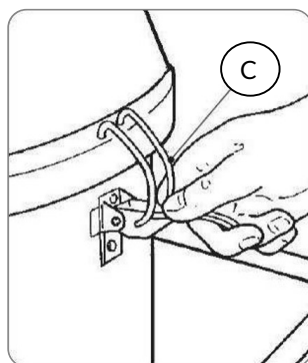


WASHABLE FILTER OPTION

M70 OIL - M130 OIL P

For the cleaning or replacing the filter washable Operate as follows:

- Turn off the machine.
- Unplug the vacuum cleaner from the power source and remove the plug from the socket on the frame.
- Unlock the two clips (C) that secure the head.



- Remove the head and place it on the workbench.
- Unlock the two clips (C) that secure the chamber (Part 2, Section 1.2) to the housing (Part 4, Section 1.2), then remove the chamber.
- Use the handles on the sides to remove the basket from inside the container.
- Empty the basket of any debris inside it and remove the washable filter.
- Rinse the filter with water; if rinsing does not clear the blockage, the filter must be replaced.

ALL MODELS

WARNING

Remove the filter, place it inside a plastic bag, close it and dispose of it according to current laws for the type of material sucked in.

⚠ USE ONLY ORIGINAL DEPURECO FILTERS!

⚠ TO REASSEMBLE THE FILTER OPERATE THE FOLLOWING OPERATIONS.



5.5. CLEANING THE CONTAINER

WARNING

Wear appropriate PPE (dust mask, latex gloves, goggles, etc.).

WARNING

Depending on the type and quantity of material vacuumed, the debris container must be checked periodically to prevent it from becoming excessively full.

WARNING

Before proceeding with emptying, turn off the machine and lock the vacuum cleaner using the lever on the swivel wheel

To completely empty the container of any liquid or solid residue, follow these steps:

- Turn off the machine.
- Disconnect the vacuum cleaner from the power supply.
- Drain the liquid from the container and remove the solids from the container as described in sections 4.4 and 4.5, but do not reassemble the container and the basket.
- Use a stream of water to clean the inside walls and bottom of the container and the basket.
- To reinstall and reassemble the basket and container, follow the steps described in sections 4.4 and 4.5 in reverse order.



5.6. IF SOMETHING DOESN'T WORK

ANOMALY FOUND	POSSIBLE CAUSE	RECOMMENDED REMEDY
The vacuum cleaner does not start.	Lack of power supply.	<ul style="list-style-type: none">• Check for the presence of voltage in the power outlet.• Check the integrity of the plug and power cord.• Contact DEPURECO technical assistance.
	Red light on (Maximum container capacity level reached)	<ul style="list-style-type: none">• Empty the tank
Insufficient suction.	Clogged PET mesh basket and/or washable filter (optional)	<ul style="list-style-type: none">• Clean the basket and PET filter or replace the PET filter (optional).
Liquid leakage from the aspirator.	Loose suction or exhaust hose clamps.	<ul style="list-style-type: none">• Tighten the clamps securely.
	Faulty discharge gun	<ul style="list-style-type: none">• Replace the gun



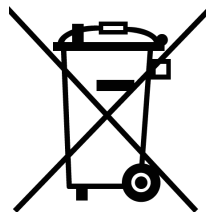
5.7. SCRAPPING

WARNING

In case of scrapping, to avoid damage to the environment, all vacuum cleaner components, shall be disposed of responsibly, in appropriate landfills following the relevant national regulations. Vacuum cleaner parts consisting of plastic material, aluminum, steel, may be recycled by delivering them to the appropriate centers.

The crossed-out bin symbol on the label on the equipment indicates that it complies with the regulations on waste electrical and electronic equipment. Abandoning the equipment in the environment or improperly disposing of it is punishable by law.

RAEE REGISTER ENTRY NO. IT18090000010711





MAINTENANCE LOG

MODEL: _____

MATRICOLA: _____

DELIVERY DATE: _____

ENTERPRISE: _____

ADDRESS: _____

N. _____

CITY: _____

ZIP CODE: _____

BUSINESS SECTOR: _____

PHONE: _____

RESPONSIBLE: _____

TIMBERS: _____

Depureco Industrial Vacuums Srl

Company subject to management and coordination COFISE spa

Via Venezia, 32 - 10088 Volpiano (TO)
Tel. +39 011 98.59.117
Fax. +39 011 98.59.326

www.depureco.com
depureco@depureco.com
depureco@documentipec.com

C.F. and P.I. 02258610357 - **Capital stock:** € 25,000 i.v.
Turin Business Register - **R.E.A.** TO-1149668
Registration **WEEE** No. IT18090000010711



INTERVENTION 1:

DATE:

TECHNICAL ASSISTANCE:

TYPE OF INTERVENTION:

INTERVENTION 2:

DATE:

TECHNICAL ASSISTANCE:

TYPE OF INTERVENTION:

Depureco Industrial Vacuums Srl

Company subject to management and coordination COFISE spa

Via Venezia, 32 - 10088 Volpiano (TO)
Tel. +39 011 98.59.117
Fax. +39 011 98.59.326

www.depureco.com
depureco@depureco.com
depureco@documentipec.com

C.F- and P.I. 02258610357 - **Capital stock:** € 25,000 i.v.
Turin Business Register - **R.E.A.** TO-1149668
Registration **WEEE** No. IT18090000010711



INTERVENTION 3:

DATE:

TECHNICAL ASSISTANCE:

TYPE OF INTERVENTION:

INTERVENTION 4:

DATE:

TECHNICAL ASSISTANCE:

TYPE OF INTERVENTION:

Depureco Industrial Vacuums Srl

Company subject to management and coordination COFISE spa

Via Venezia, 32 - 10088 Volpiano (TO)
Tel. +39 011 98.59.117
Fax. +39 011 98.59.326

www.depureco.com
depureco@depureco.com
depureco@documentipec.com

C.F- and P.I. 02258610357 - **Capital stock:** € 25,000 i.v.
Turin Business Register - **R.E.A.** TO-1149668
Registration **WEEE** No. IT18090000010711

